

TANGO NEXT

SlimFit



Product categories



Meat



Chicken



Delicatessen



Cheese



Dairy products



Pre-packed
fruit&veg



Sandwiches



Drinks



Pre-packed fish

Technical features



Incorporated
condensing unit



LED lighting



High efficiency
fans



Off-cycle
defrost



Propane
refrigerant gas
(R290)



Available with

LINEON
NEW PLUG-IN CONNECTIVITY SOLUTIONS

Product range

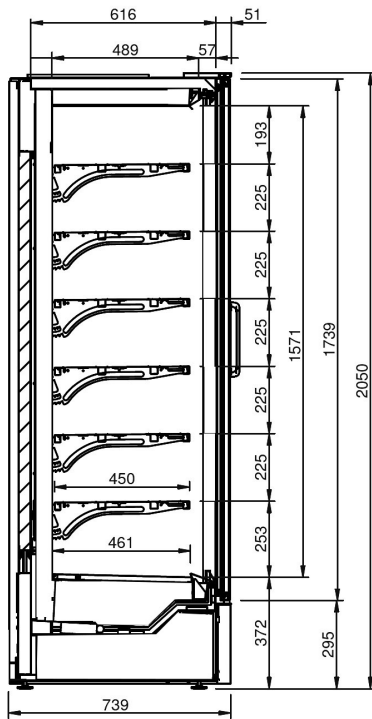
TANGO NEXT					
Lenght-Lunghezza Longueur-Länge-Longitud mm		1250 - 2D	1875 - 3D	2500 - 4D	
TANGO NEXT		•	•	•	
Display area Superficie di esposizione Warenpräsentationsfläche Surface d'exposition Superficie expositiva m2	COMPACT	1.788	2.682	3.576	
	NARROW				
Loading area Superficie di appoggio Nutzfläche Surface de chargement Superficie de apoyo m2	COMPACT	0.96	1.44	1.86	
	NARROW	1.13	1.66	2.19	
Net storage capacity Capacità netta Nutzinhalt volume utile Capacitat neta dm3	COMPACT	790	1180	1570	
	NARROW	970	1460	1950	
End thickness Spessore spalla Stärke der Seitenwand Épaisseur de cheue joue Espesor lateral mm		30.00			

TANGO NEXT

SlimFit

Cross sections

COMPACT



NARROW

