

# SILK CLOSED

OutFit



## Product categories



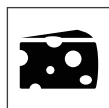
Meat



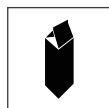
Chicken



Delicatessen



Cheese



Dairy products



Pre-packed  
fruit&veg

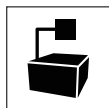


Pre-packed fish

## Technical features



Ventilated



Remote  
condensing unit



LED lighting



High efficiency  
fans



Off-cycle  
defrost



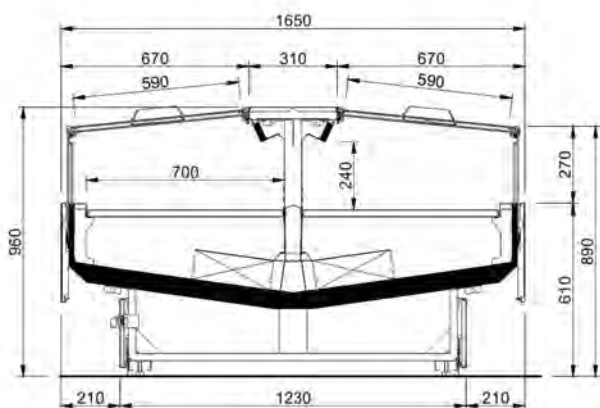
Natural defrost  
Plus



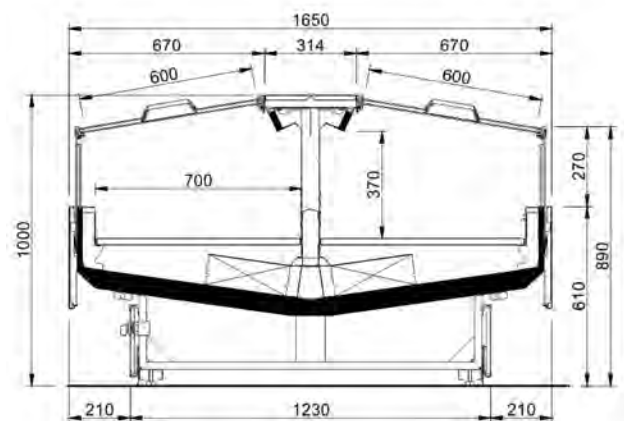
### Product range

SILK CLOSED											
Lenght-Lunghezza Longueur-Länge-Longitud mm		1250		1875		2500		3750		EOL 1650	EOL 1900
Width-Larghezza-Largeur-Breite-Ancho mm		C	N	C	N	C	N	C	N	C	N
<b>LL-235</b>		•	•	•	•	•	•	•	•	•	•
<b>MAX LL-365</b>		•	•	•	•	•	•	•	•	•	•
<b>Display area</b> Superficie di esposizione Warenpräsentationsfläche Surface d'exposition Superficie expositiva m2	<b>STD LL235</b>	1.87	2.17	2.82	3.26	3.74	4.33	5.61	6.50	1.57	1.79
	<b>MAX LL365</b>	1.93	2,23	2.91	3.38	3.86	4.45	5.80	6.68	1.70	1.89
<b>Net storage capacity</b> Capacità netta Nutzinhalt volume utile Capacidad neta dm3	<b>STD LL235</b>	288	350	434	528	575	700	863	1050	181	2.74
	<b>MAX LL365</b>	393	475	592	716	786	950	1178	1425	234	325
<b>Loading area</b> Superficie di appoggio Nutzfläche Surface de chargement Superficie de apoyo m2		2.06	2.36	3.09	3.54	4.12	4.72	6.18	7.08	1.6	2.06
<b>End thickness</b> Spessore spalla Stärke der Seitenwand Épaisseur de cheue joue Espesor lateral mm		50.00									

### Cross Sections



C- STD

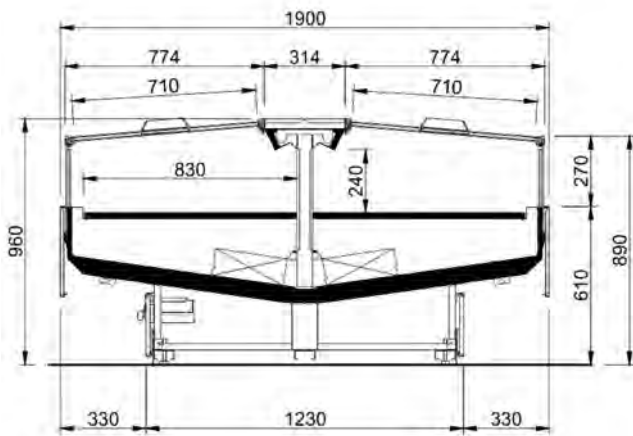


C- MAX

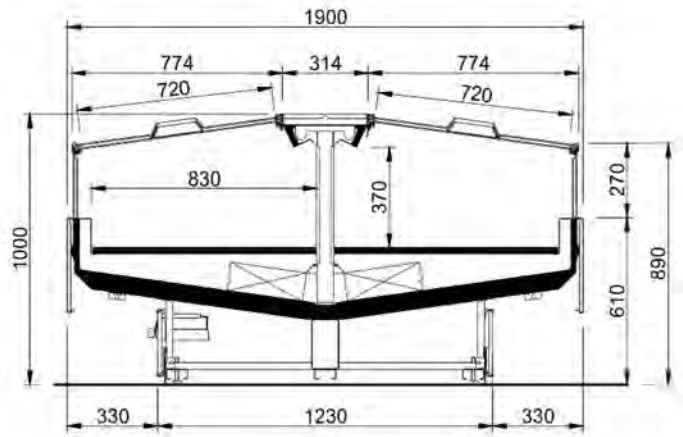
# SILK CLOSED

OutFit

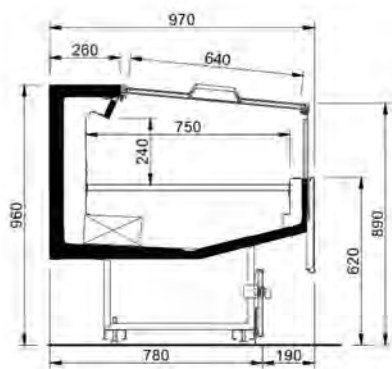
## Cross Sections



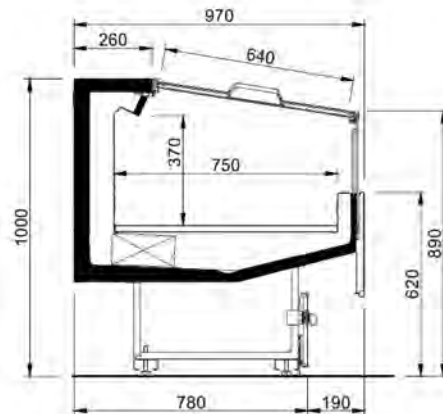
N STD



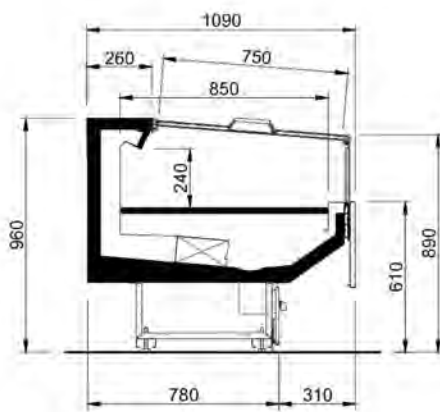
N MAX



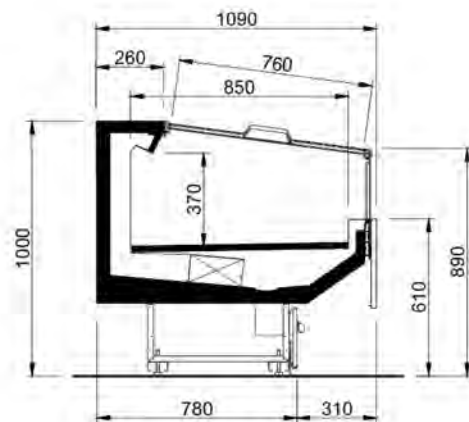
EOL C STD



EOL C MAX



EOL N STD



EOL N MAX