

NORDICLINE SV1 ICONIC

NordicLine



Product categories

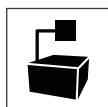


Frozen Food
and Ice cream

Technical features



Ventilated



Remote
condensing unit



LED lighting




High efficiency
fans

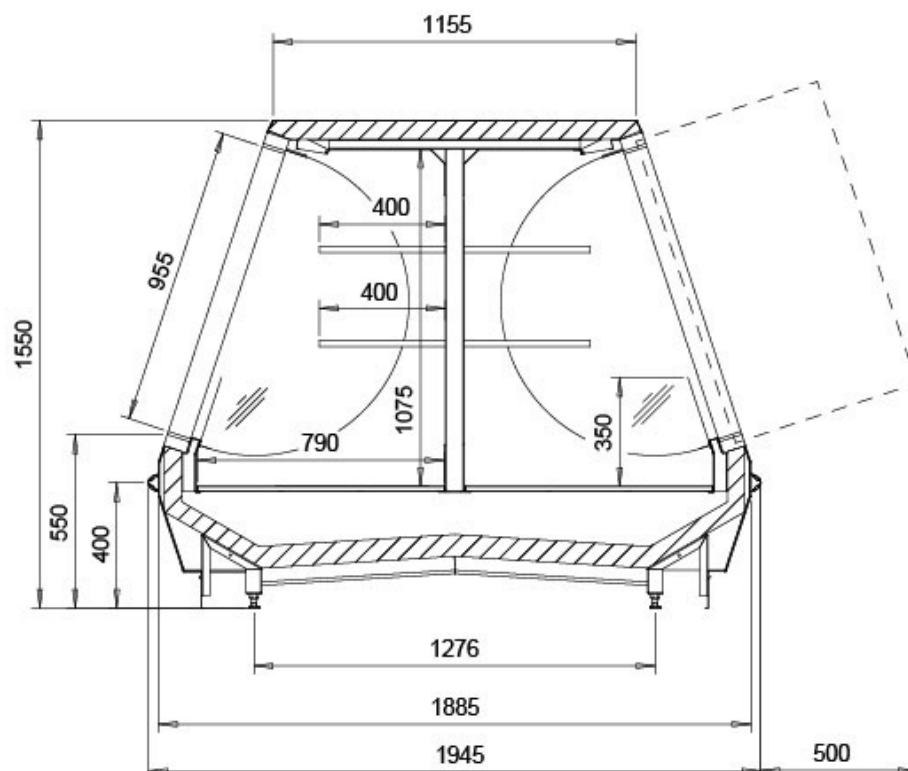


Off-cycle
defrost

Product range

NordicLine SV1 Iconic	
Front height (mm)	550
External length (mm)	1875, 2500
External height (mm)	1550
External depth (mm)	1050, 1920
Temperature range (°C)	-23 to -21
Refrigerants	R744 (CO ₂)
Energy efficiency class	

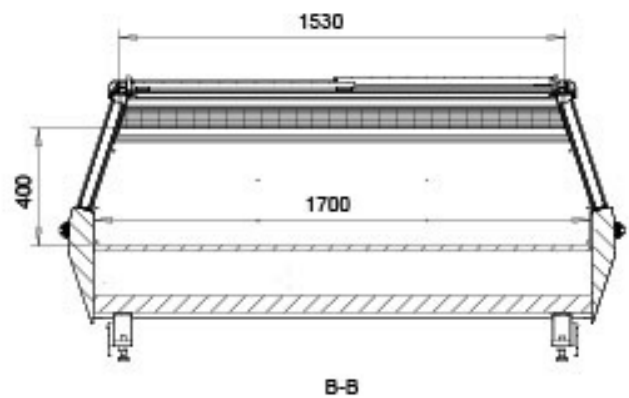
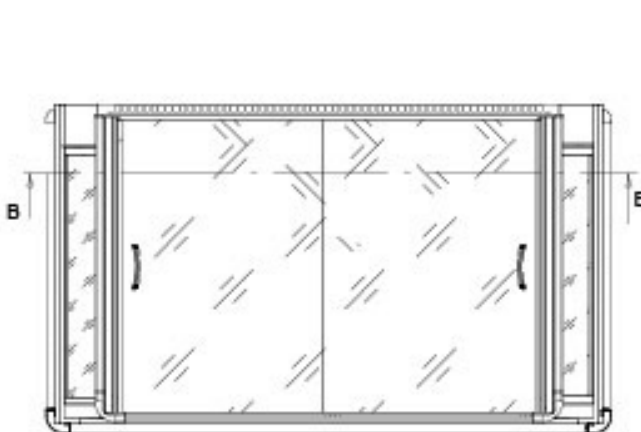
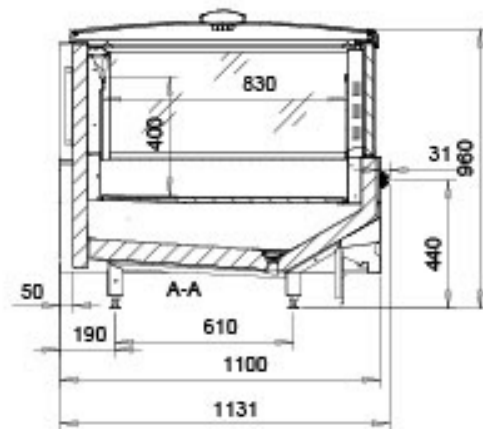
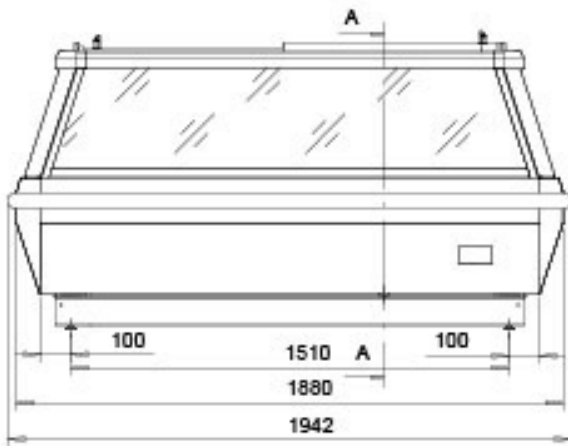
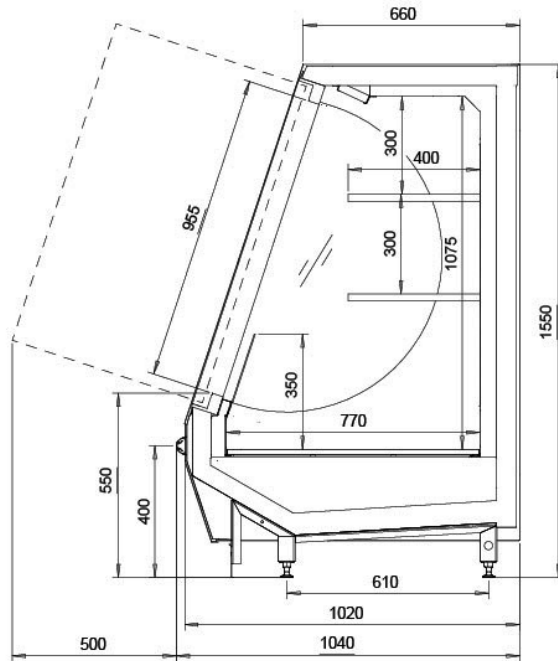
Cross section



NORDICLINE SV1 ICONIC

NordicLine

Cross section



NORDICLINE SV1 ICONIC

NordicLine

Cross section

