

# NORDICLINE IS7 - 200

NordicLine



## Product categories



Frozen Food  
and Ice cream

## Technical features



Ventilated



Remote  
condensing unit



LED lighting



High efficiency  
fans



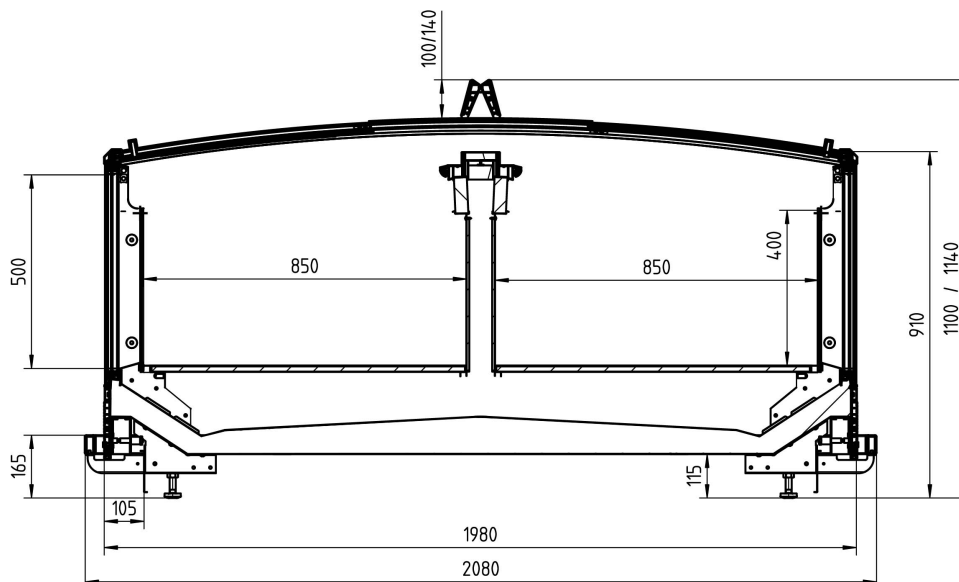
Electric defrost

## Product range

Product dim. variant	Length [mm]	Depth [mm]	Height [mm]*	Volume [dm <sup>3</sup> ] (side blow_single well)	TDA [m <sup>2</sup> ] (side blow_single well)
IS7-200-90-CE (EOL)	1980	1075	900	646	2,75
IS7-200-90-188	1875	1980	900	1275	4,12
IS7-200-90-250	2500	1980	900	1700	5.58
IS7-200-90-375	3750	1980	900	2550	8,39
IS7-150-90-CE (EOL)	1480	1070	900	476	**

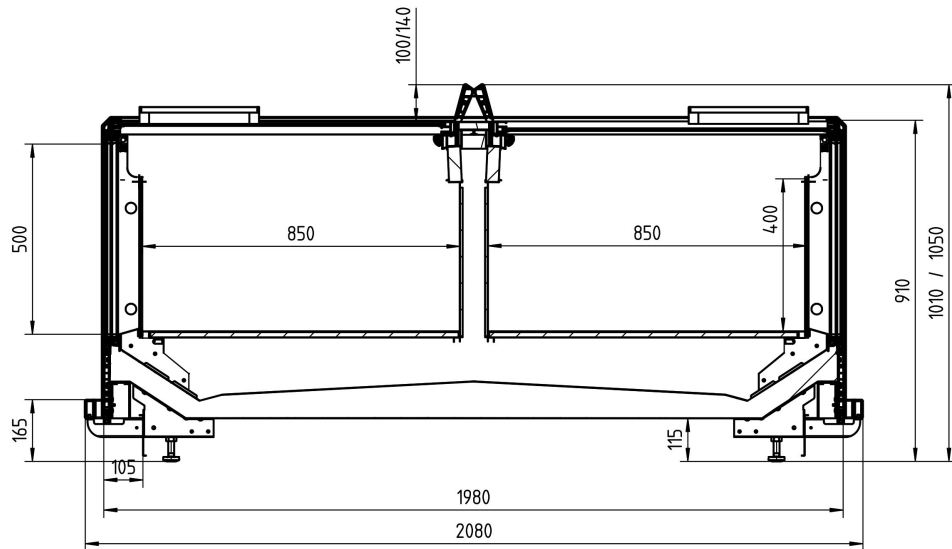
## Cross sections

### IS7-200 - LINEAR CURVED GLASS



## Cross sections

### IS7-200 - LINEAR FLAT GLASS



### IS7-200 - EOL

