

# NORDICLINE IS7 - 150

NordicLine



## Low Temperature



## Medium Temperature



## Product categories



Frozen Food  
and Ice cream



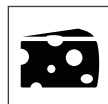
Meat



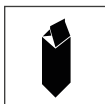
Chicken



Delicatessen



Cheese

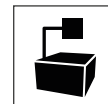


Dairy products

## Technical features



Ventilated



Remote  
condensing unit



LED lighting



High efficiency  
fans



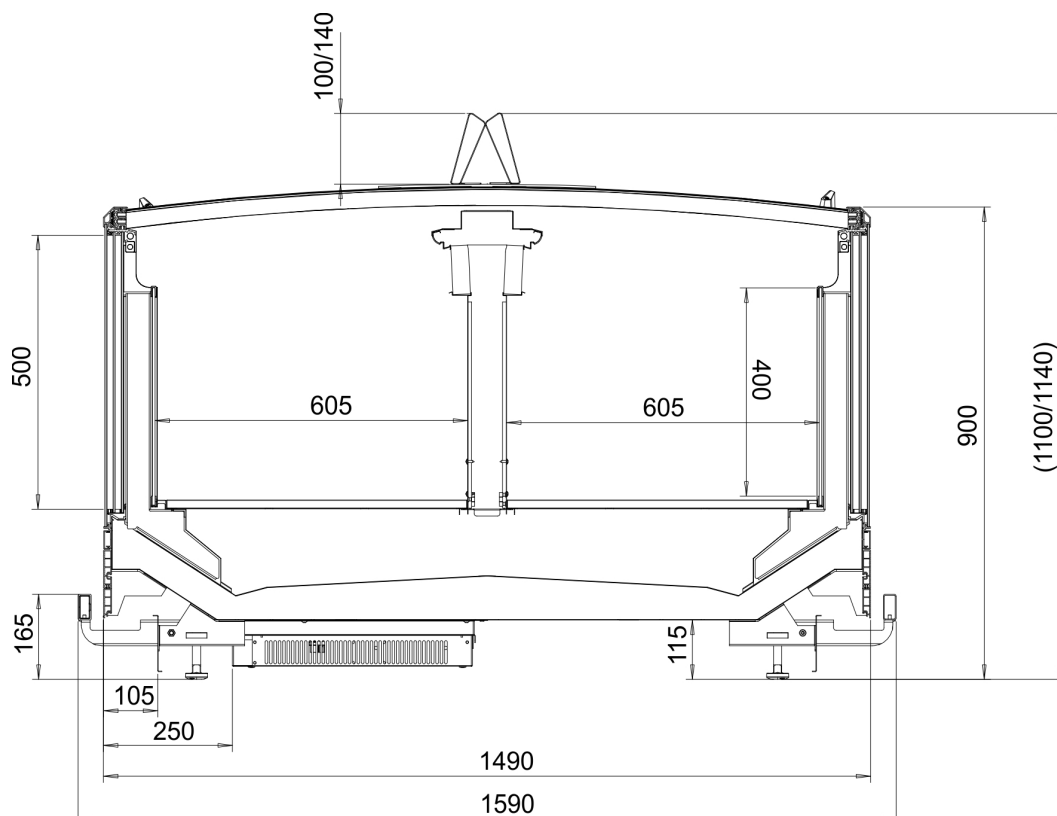
Electric defrost

## Product range

Product dim. variant	Length [mm]	Depth [mm]	Height [mm]*	Volume [dm <sup>3</sup> ] (side blow_single well)	TDA [m <sup>2</sup> ] (side blow_single well)
IS7-150-90-CE (EOL)	1480	1070	900	476	**
IS7-150-90-188	1875	1490	900	900 (968)	3,24 (3,53)
IS7-150-90-250	2500	1490	900	1200 (1290)	4,39 (4,77)
IS7-150-90-375	3750	1490	900	1800 (1935)	6,61 (7,19)

## Cross sections

### IS7-150 - DOUBLE CHEST - CURVED GLASSES

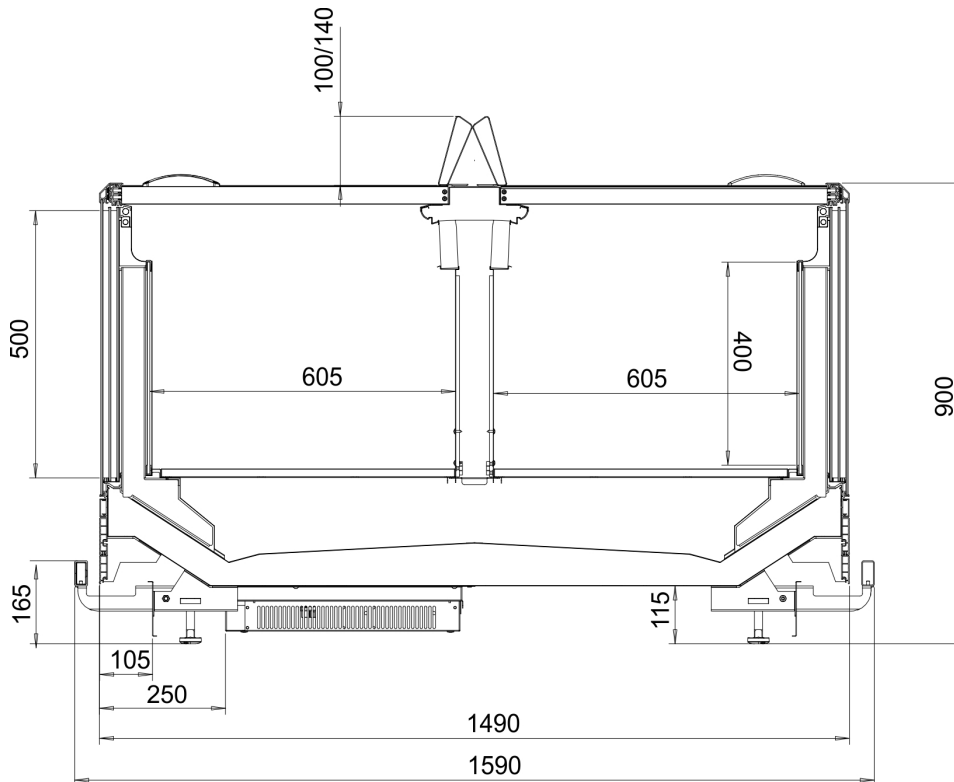


# NORDICLINE IS7 - 150

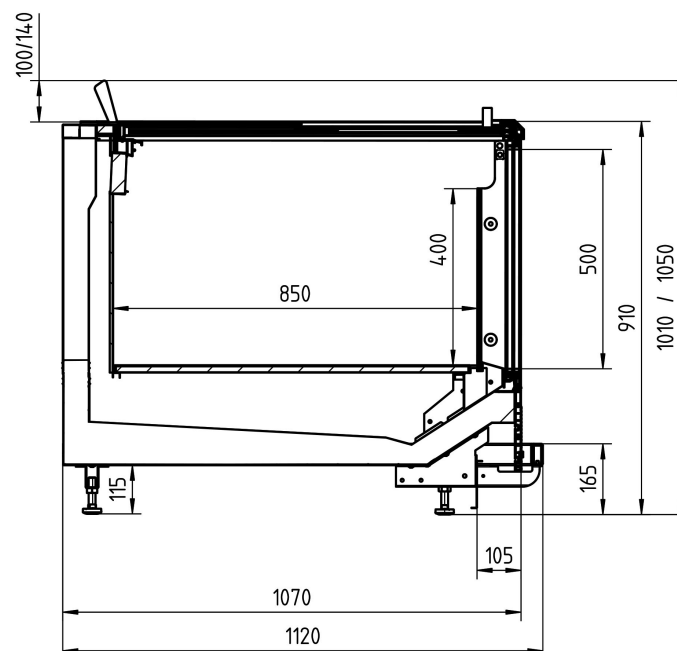
NordicLine

## Cross sections

### IS7-150- DOUBLE CHEST - FLAT GLASSES

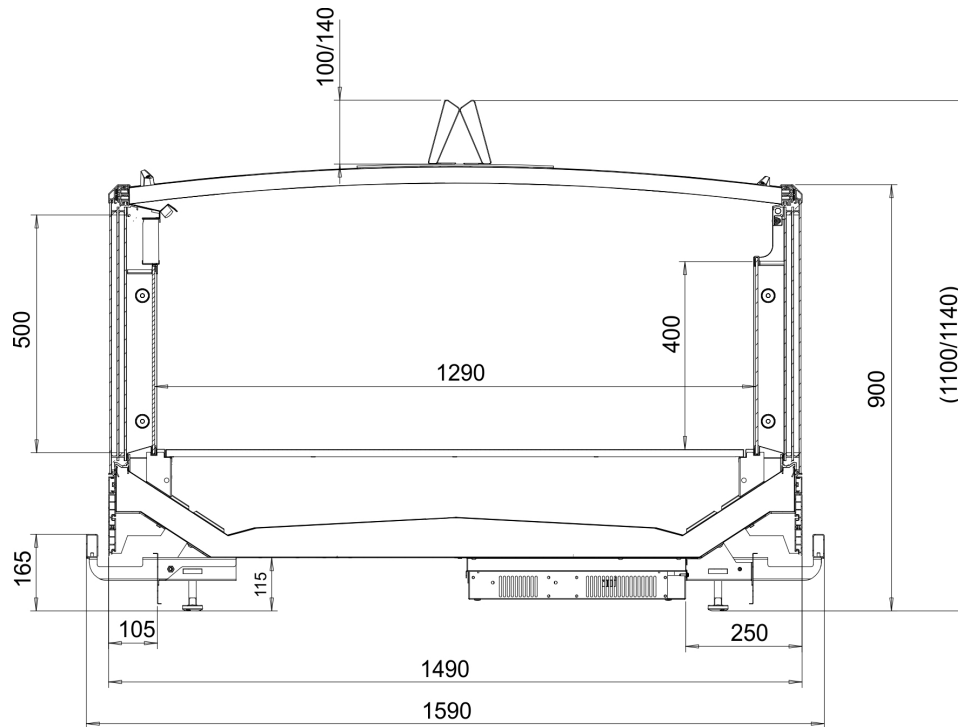


### IS7 - 150 - EOL



## Cross sections

### IS7-150 - SINGLE CHEST - CURVED GLASSES



### IS7-150 - SINGLE CHEST - OPEN

