



## Product categories

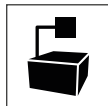


Frozen Food  
and Ice cream

## Technical features



Ventilated



Remote  
condensing unit



LED lighting



High efficiency  
fans



Electric defrost



ENERGY CLASS\*

## Certification and patents



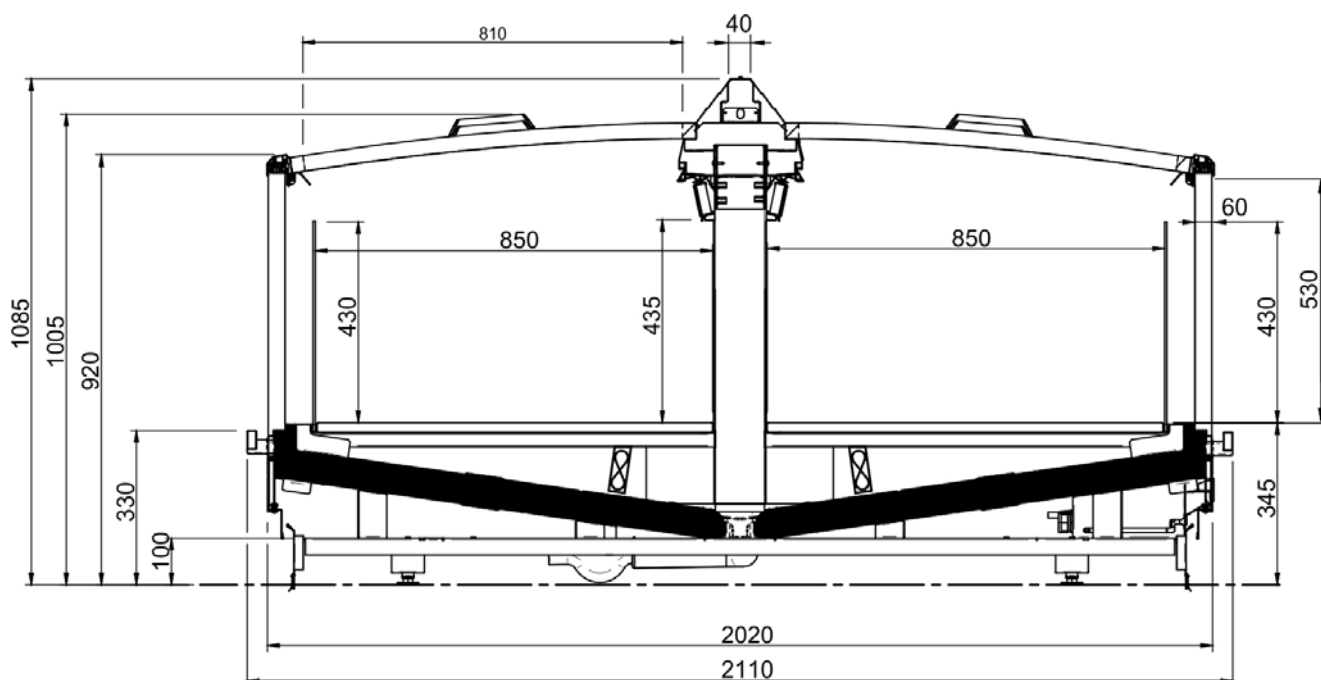
Epta S.p.A. participates in the ECC programme for:  
Refrigerated display cabinets (RDC). Check ongoing validity  
of certificate online: [www.eurovent-certification.com](http://www.eurovent-certification.com)

## Product range

GRANONTARIO L SLIDING				
<b>Length</b> -Lunghezza Longueur-Länge-Longitud mm	<b>1885</b>	<b>2500</b>	<b>3750</b>	<b>EOL 2030</b>
<b>GRANONTARIO L SLIDING</b>	•	•	•	•
<b>Display area</b> Superficie di esposizione Warenpräsentationsfläche Surface d'exposition Superficieexpositiva m2	4.324	5.806	8.709	2.57
<b>Loading area</b> Superficie di appoggio Nutzfläche Surface de chargement Superficie de apoyo m2	3.78	5.05	7.57	2.82
<b>Net storage capacity</b> Capacità netta Nutzinhalt volume utile Capacitat neta dm3	1374.35	1824.64	2741.36	658.41
<b>End thickness</b> Spessore spalla Stärke der Seitenwand Épaisseur de cheue joue Espesor lateral mm	Spalla panoramica/Panoramic end/Joue panoramique/ Verglaste Seitenwand/ Lateral panorámico: 70.00 (+104 batticarrello/bumper rail/pare-chocs/Stoßstange/ parachoque)			

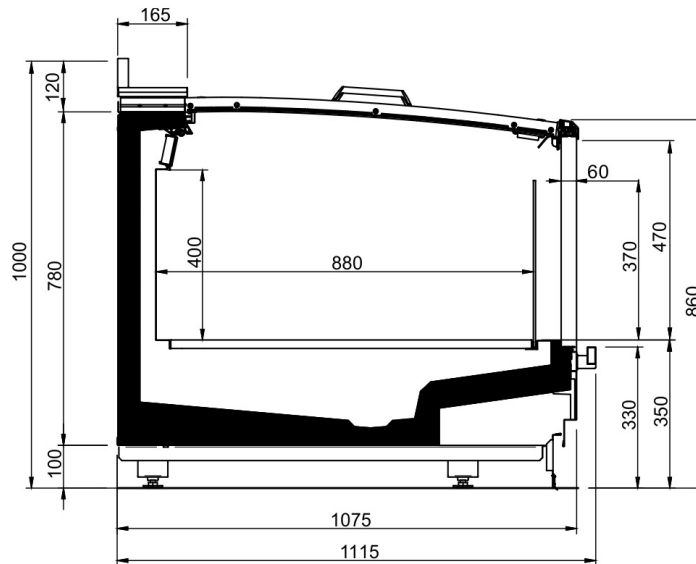
## Cross sections

### LINEAR SLIDING

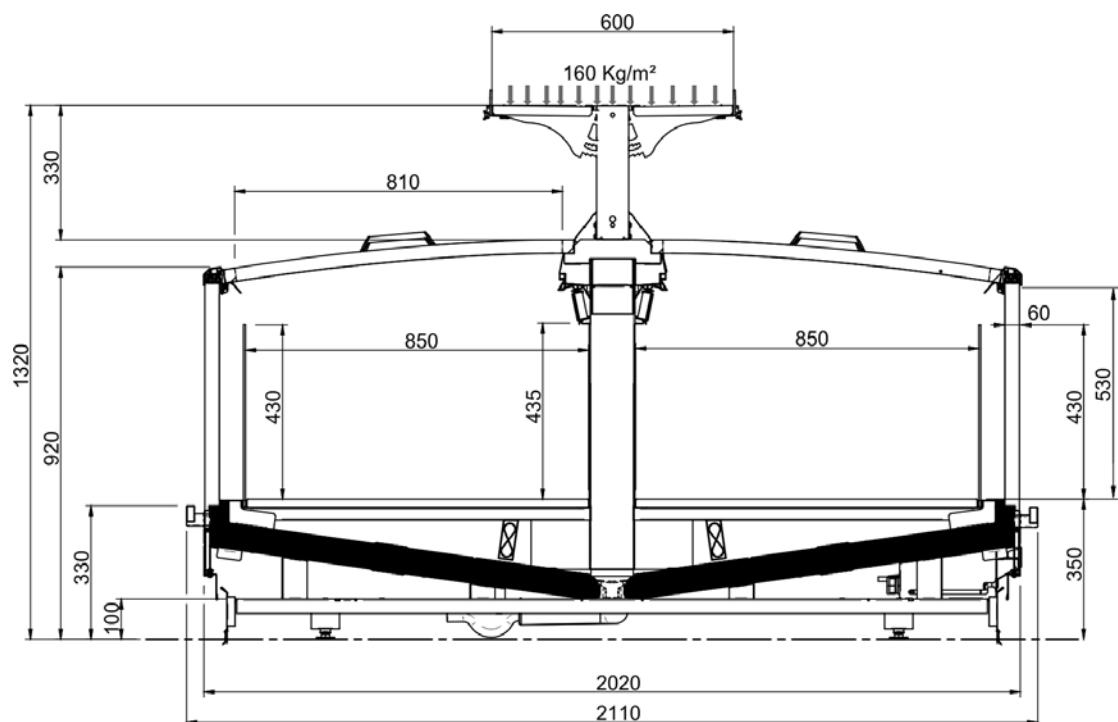


## Cross sections

### EOL SLIDING



### LINEAR SLIDING + 1 SHELF



## Cross sections

### LINEAR SLIDING + S SHLEVES

