



Product categories

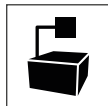


Frozen Food and Ice cream

Technical features



Ventilated



Remote condensing unit



LED lighting



High efficiency fans



Electric defrost



ENERGY CLASS*

Certification and patents



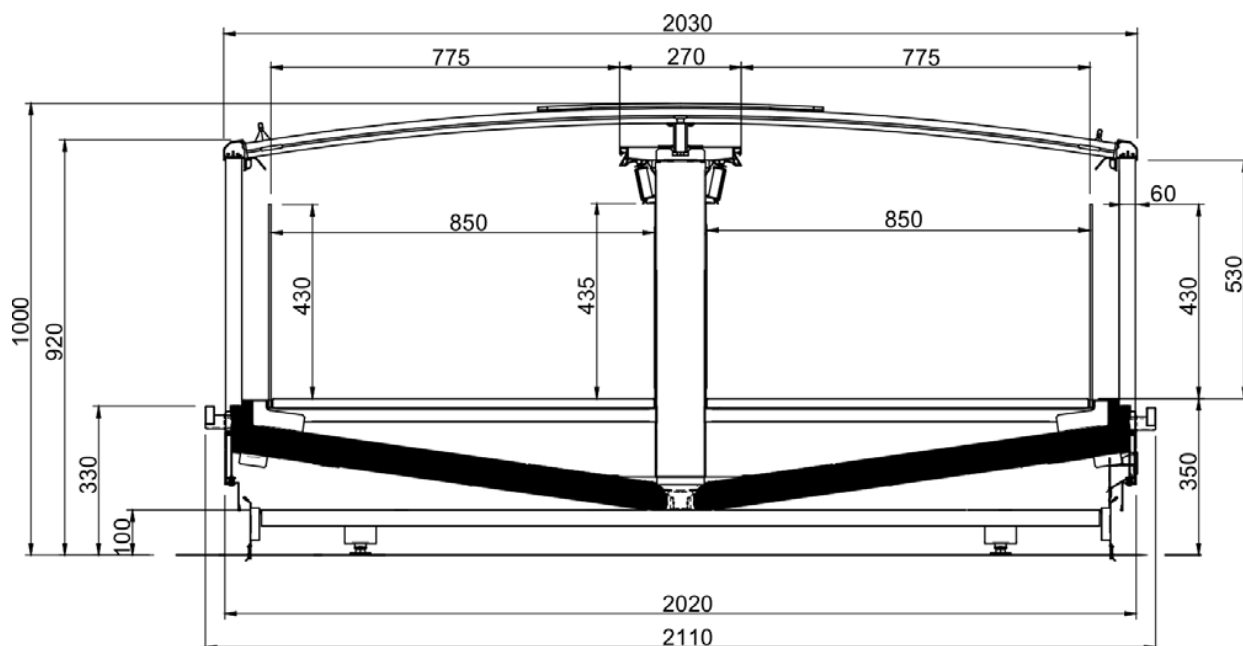
Epta S.p.A. participates in the ECC programme for Refrigerated display cabinets (RDC). Check ongoing validity of certificate online: www.eurovent-certification.com

Product range

| GRANONTARIO L | | | | |
|--|---|-------------|-------------|---------------------|
| Length -Lunghezza Longueur-Länge-Longitud mm | 1885 | 2500 | 3750 | EOL 2030 |
| GRANONTARIO L | • | • | • | • |
| Display area Superficie di esposizione Warenpräsentationsfläche Surface d'exposition Superficieexpositiva m2 | 4.324 | 5.806 | 8.709 | 2.57 |
| Loading area Superficie di appoggio Nutzfläche Surface de chargement Superficie de apoyo m2 | 3.78 | 5.05 | 7.57 | 2.82 |
| Net storage capacity Capacità netta Nutzinhalt volume utile Capacitat neta dm3 | 1374.35 | 1824.64 | 2741.36 | 658.41 |
| End thickness Spessore spalla Stärke der Seitenwand Épaisseur de cheque joue Espesor lateral mm | Spalla panoramica/Panoramic end/Joue panoramique/ Verglaste Seitenwand/ Lateral panorámico: 70.00 (+104 batticarrello/bumper rail/pare-chocs/Stoßstange/ parachoque) | | | |

Cross sections

LINEAR PUSH



Cross sections

EOL

