

FESTIVAL

Complementaries



Product categories



Meat



Chicken



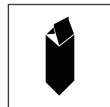
Pre-packed fish



Delicatessen



Cheese



Dairy products



Pre-packed fruit&veg



Sandwiches



Frozen Food and Ice cream

Technical features



Ventilated



Incorporated condensing unit



LED lighting



High efficiency fans



Electric defrost



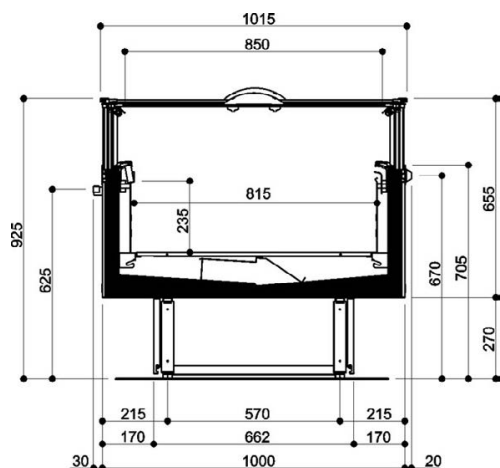
R290
Propane refrigerant gas (R290)



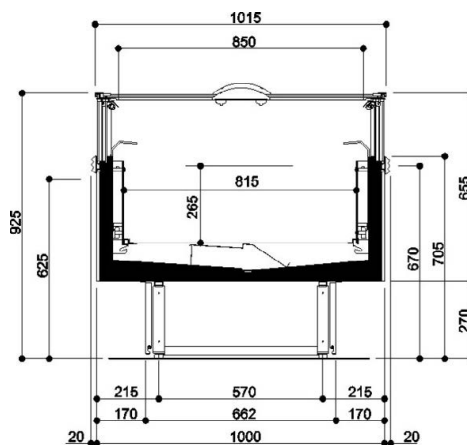
Product range

FESTIVAL				
FESTIVAL	FESTIVAL XL		FESTIVAL	
	1500	2000	1500	2000
	•	•	•	•
Display area Superficie di esposizione Warenpräsentationsfläche Surface d'exposition Superficie expositiva m ²	1.34	1.78	1.34	1.78
Loading area Superficie di appoggio Nutzfläche Surface de chargement Superficie de apoyo m ²	1.50	2.00	1.50	2.00
Net storage capacity Capacità netta Nutzinhalt volume utile Capacitat neta dm ³	300.00	431.00	266.00	362.00
Dimensions Dimensioni Größe Dimensions Dimensiones LxAxP mm	1500x925x1000	2000x925x1000	1500x925x1000	2000x925x1000

Cross sections



FESTIVAL



FESTIVAL XL