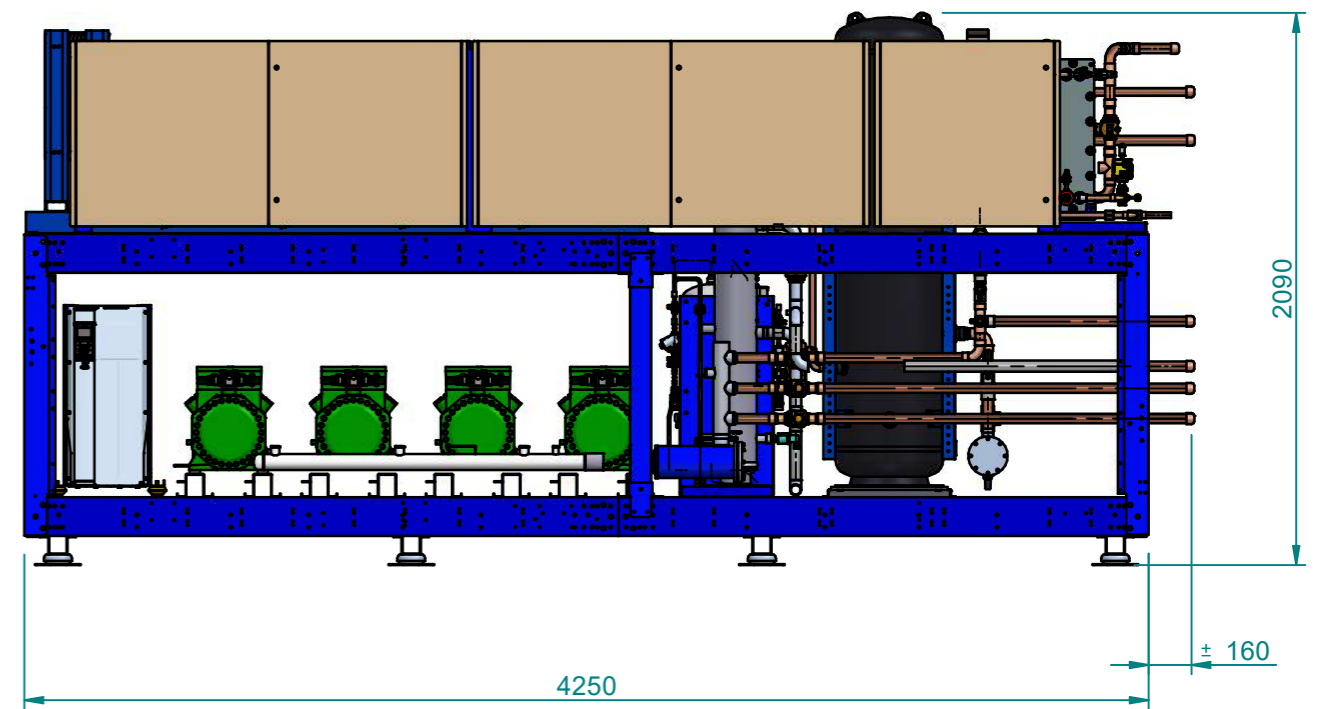
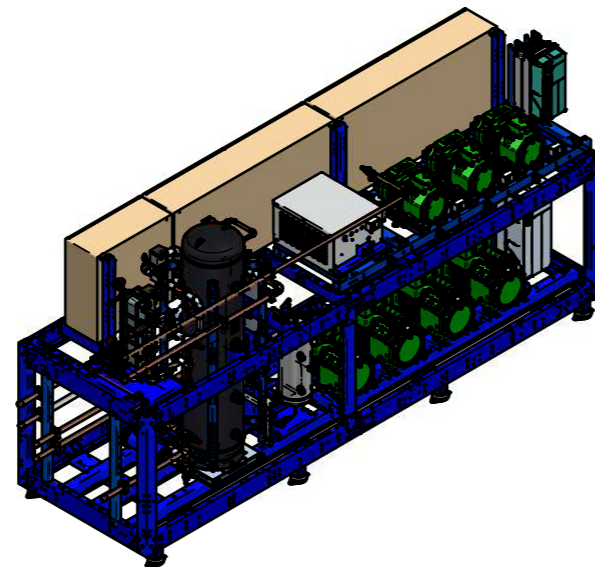
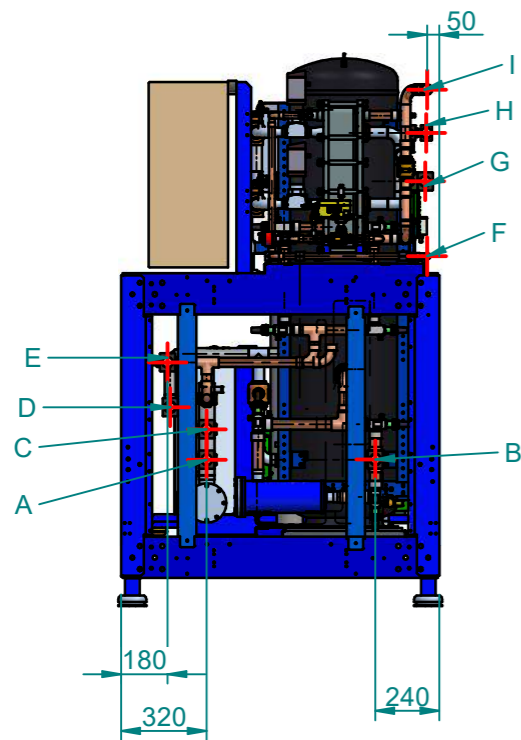


Piping quotes are intended to supply a relative position, not for designing an exact piping path in advantage.

REFERENCE	INLET/OUTLET	PIPE	LINE
A	IN	1"3/8 K65	SUCTION 1 MT
B	OUT	1"3/8 - 1"5/8 K65	LIQUID LINE
C	IN	1"3/8 K65	SUCTION 2 MT (OP)
D	OUT	1"5/8 K65	DISCHARGE TO G.C.
E	OUT	1"3/8 K65	FTE BY PASS
F	-	7/8"	SAFETY VALVE ETE
G	-	1"3/8 K65	MAIN SAFETY VALVE
H	IN	7/8"-1"1/8 K65	SUCTION LT
I	IN	1"3/8	INLET FROM G.C.



EC93 ETE
4250X1200X2090

		Descr DIAGRAM R DIMENSIONAL EC93 ETE SCHEMA R DIMENSIONAL EC93 ETE SCHEMA F DIMENSIONAL EC93 ETE	Drawn by ToigoD
			83737075
Status LI-WIP Date App. by Dossier Modify Descr			Unit: A 00
Use and copy prohibited without our written consent. Exploitation et reproduction interdites sans notre autorisation écrite. L'uso e la riproduzione sono proibite senza la nostra autorizzazione scritta.			TOL: ±0.5 Scale 1:28,57
All dimensions are external where not specified. Toutes cotations externes sauf spécification. Tutte le dimensioni sono riferite all'esterno se non specificato.			
REMOVE ALL BURRS AND SHARP EDGES - ENLEVER TOUTES LES BAVURES ET LES ARETES VIVES SI CELA N'EST PAS INDIQUE - ELIMINARE LE BAVE E SPIGOLI VIVI SE NON INDICATO			