

GINGER - VANILLA

USER INSTRUCTIONS

*READ CAREFULLY AND KEEP WITH THE CABINET
(original instructions)*

KÄYTTÖOHJEET

*LUE OHJEET HUOLELLISESTI JA SÄILYTÄ NIITÄ
KALUSTEEN YHTEYDESSÄ
(alkuperäisten ohjeiden käännös)*

ANVÄNDARINSTRUKTIONER

*LÄS NOGGRANT OCH FÖRVARA SÄKERT I ANSLUTNING
TILL KYLDISKEN*

(Översättning av originalinstruktionerna.)

BRUKERMANUALEN

*LES NØYE GJENNOM INSTRUKSJONENE OG OPPBEVAR DEM
SAMMEN MED DISKEN*

(Oversettelse av den originale veilederen)

BRUGERVEJLEDNING

*LÆS OMHYGGELIGT OG OPBEVAR OMHYGGELIGT SAMMEN
MED SKABET*

(oversættelse af den originale vejledning)

Model - Malli - Modell Modell - Model	GINGER - VANILLA	COSTAN eptarefrigeration
Manufacturer - Valmistaja - Tillverkare Produsent - Fabrikant	Epta Spa - Via Mecenate, 86 - 20138 Milano (MI) ITALIA Tel. 02/55403211 Telefax 02/55401023	II/III

User manual

EN

FI

SV

NN

DA

Model - Malli - Modell Modell - Model	GINGER - VANILLA	COSTAN eptarefrigeration
Manufacturer - Valmistaja - Tillverkare Produsent - Fabrikant	Epta Spa - Via Mecenate, 86 - 20138 Milano (MI) ITALIA Tel. 02/55403211 Telefax 02/55401023	III/III

UMXXXXXX.01 = EPTA Standar (It, En, Fr, De, Es, Pt)
 UMXXXXXX.02 = EPTA Nordics (En, Fi, Nn, Sv, Da)
 UMXXXXXX.03 = EPTA Baltics (En, Pl, Lt, Lv, Ee, Cz)
 UMXXXXXX.04 = EPTA East Europa (En, Sl, Hu, Ro)
 UMXXXXXX.05 = EPTA Latam (Es AR, En US, Pt BR)
 UMXXXXXX.06 = EPTA Nam (En US, Es AR, Fr)
 UMXXXXXX.07 = EPTA Apac (En, Zh)
 UMXXXXXX.08 = EPTA Middle east (Ar)

EN

FI

SV

NN

DA

Model - Malli - Modell Modell - Model	GINGER - VANILLA	COSTAN <small>eptarefrigeration</small>
Manufacturer - Valmistaja - Tillverkare Produsent - Fabrikant	Epta Spa - Via Mecenate, 86 - 20138 Milano (MI) ITALIA Tel. 02/55403211 Telefax 02/55401023	2/26

User manual

EN
FI
SV
NN
DA

CONTENT

1. Introduction	3
2. Safety warnings	4
2.1 Warnings for the appliances that use R290 (propane)	4
2.2 General warnings	4
2.3 Warnings for cabinet maintenance	5
2.4 Electrical warnings	6
2.5 Prohibitions	6
3. General description	8
3.1 Sections	9
4. Transportation of the cabinet	11
5. Ambient conditions	12
6. Technical features	14
7. Use of cabinet	16
8. Ordinary maintenance	18
8.1 Cleaning the cabinet	18
9. Shelves configuration	19
10. User indications	20
10.1 Description of the cabinet	20
10.2 Transport and handling	20
10.3 Receipt and storage	20
10.4 Installation and ambient conditions	21
10.5 Electrical connection	21
10.6 Technical features	21
10.7 Loading the product	21
10.8 Use of cabinet	22
10.9 Cleaning and ordinary maintenance	22
10.10 Emergency situations	23
10.11 Technical assistance	24
10.12 Dismantling and elimination	24
11. Supplementary general warnings	25

SYMBOLS USED



Prohibition symbol: it prohibits the carrying out of specific operations.



Attention symbol: accident prevention rules for the operator.



Warning symbol: there is the possibility of damaging the cabinet and/or its components.



Note symbol: it provides useful information.

Model - Malli - Modell Modell - Model	GINGER - VANILLA	COSTAN <small>eptarefrigeration</small>
Manufacturer - Valmistaja - Tillverkare Produsent - Fabrikant	Epta Spa - Via Mecenate, 86 - 20138 Milano (MI) ITALIA Tel. 02/55403211 Telefax 02/55401023	3/26

1. INTRODUCTION

It is recommended to attentively read the content of this Manual and keep it together with the cabinet.

The manufacturer shall not be held liable for any harm caused to people or damage to property due to the failure to observe the warnings contained in this Manual.



The Manual contains information considered necessary for the good use and operation of the cabinet.

Inside you will find the following descriptions and information:

- a functional description of the cabinet and each of its parts
- information on the safety of the cabinet and the safety rules to follow
- a correct use of the cabinet
- a correct ordinary and programmed maintenance, including cleaning operations

Information not contained in this Manual:

- Installation instructions

For the correct installation of the cabinet refer to the following documents:

- Technical Manual
- Quick Reference Instructions

This Manual is for the following professional figures:

- **QUALIFIED OPERATOR:** a qualified person, educated to operate, regulate, clean and carry out ordinary maintenance on the cabinet
- **SPECIALISED TECHNICIAN** a technician trained and authorised by the body indicated in the contract (manufacturer/concessionaire/distributor) to carry out: installation, non-routine maintenance, repair, replacement and overhaul of the cabinet

Instructions for use are also available on:
www.eptarefrigeration.com.

Make reference to the declaration of conformity for the regulations and certifications of the cabinet.

Always keep the instruction booklet and in case of sale.

Model - Malli - Modell Modell - Model	GINGER - VANILLA	COSTAN eptarefrigeration
Manufacturer - Valmistaja - Tillverkare Produsent - Fabrikant	Epta Spa - Via Mecenate, 86 - 20138 Milano (MI) ITALIA Tel. 02/55403211 Telefax 02/55401023	4/26

2. SAFETY WARNINGS

2.1 Warnings for the appliances that use R290 (propane)



Propane is a natural gas without effects on the environment, but it is flammable. It is therefore essential to ensure that all the pipes of the cooling circuit are not damaged, before connecting the cabinet to the power supply. The premises in which the cabinet is installed must avail of a minimum volume of 1 m³ for every 8g of refrigerant. The quantity of refrigerant of the cabinet is indicated on the technical data plate positioned on the cabinet. In case of leakage of refrigerant avoid that open flames or sources of ignition are near the leak point.



Do not damage the refrigeration circuit.



In order to reduce flammability-related risks, this cabinet may only be installed by suitably qualified personnel.

2.2 General warnings



The manufacturer disclaims any liability for damage caused to people or property due to the failure to observe the warnings contained in this manual. Any person who uses this cabinet must read this user manual.



The employer must educate staff on the risks of accidents, on the devices arranged for staff safety, on the risks of noise emission and on the general safety rules provided for by the rules in force.



The cabinet must be used by adults in possession of the necessary knowledge and whose physical, sensory or mental abilities are not impaired; the cabinet is not designed for use by minors (in particular from 0 to 3 years). Children, under the supervision and responsibility of adults, must not play with the cabinet.



Any other use not explicitly indicated in this manual is considered dangerous and the manufacturer cannot be held liable for any damage deriving from improper, wrong and unreasonable use.



The cabinet must be used by staff equipped with the appropriate personal protection equipment.



It is compulsory to use work gloves.



Do not leave the cabinet exposed to weathering agents



Do not use direct or indirect jets of water on the cabinet.





Do not touch the cabinet with wet or damp hands and feet; do not use the cabinet with naked feet.





The removal of protection devices or panels that require the use of tools to be removed is reserved exclusively for qualified personnel.


Model - Malli - Modell Modell - Model	GINGER - VANILLA	COSTAN <small>eptarefrigeration</small>
Manufacturer - Valmistaja - Tillverkare Produsent - Fabrikant	Epta Spa - Via Mecenate, 86 - 20138 Milano (MI) ITALIA Tel. 02/55403211 Telefax 02/55401023	5/26


 For assembling dedicated optional accessories, contact your nearest authorised service centre.


 Each intervention must be carried out exclusively by qualified personnel and, in every case, before each intervention the power supply of the cabinet must be disconnected.


 Instruct anyone who uses the cabinet on the position of the disconnecter switch.


 Thermostat adjustment is reserved for the technical after-sales service only.


 Pay attention to the hot or moving parts marked with the appropriate symbol.


 In case of fire, do not use water to put out the flames but only dry fire extinguishers


 Do not damage the refrigeration circuit.

 Avoid fire or sparks inside the appliance.


 Keep the ventilation openings in the appliance housing free from obstructions.


 Do not use electrical appliances inside the compartments of the appliance for the preservation of frozen foods if these are not the type recommended by the manufacturer.


 Do not store explosive or dangerous substances, such as containers under pressure with flammable propellant, in this appliance.


 Do not place liquid containers and do not pour liquids on the counter.


2.3 Warnings for cabinet maintenance

 Maintenance work must only be carried out by authorised personnel.

 Access to the electrical parts and/or parts that require the use of tools is reserved for specialist technicians.

 Prior to any maintenance and cleaning operation reserved for the user, de-energise the cabinet using the wall-mounted disconnecter switch.

 Pay attention to the hot or moving parts marked with the appropriate symbol.

 It is compulsory to use work gloves.

EN

FI

SV

NN

DA

Model - Malli - Modell Modell - Model	GINGER - VANILLA	COSTAN <small>eptarefrigeration</small>
Manufacturer - Valmistaja - Tillverkare Produsent - Fabrikant	Epta Spa - Via Mecenate, 86 - 20138 Milano (MI) ITALIA Tel. 02/55403211 Telefax 02/55401023	6/26

User manual

2.4 Electrical warnings



Ensure that the power voltage corresponds to the rating plate of the cabinet.



The electrical installation must be carried out in a competent manner by specialised technicians.



The removal of the cover of the electrical panel is reserved for specialist technicians.



In compliance with the installation rules, the power supply must include an omnipolar disconnection device, which ensures complete disconnection from the network in overvoltage category III conditions.



The cabinet must be installed following the instructions of the manufacturer, by professionally qualified staff and in compliance with the rules on electrical systems in force in individual Countries.



A wrong cabinet installation can cause damage to people, animals or property, for which the manufacturer cannot be held liable.



If the power cord is damaged, it must be replaced by authorized service personnel. Do not attempt to repair the cable.



Do not power the cable if it is damaged. If in doubt, contact the after-sales service or your dealer.



After installing the cabinet, make sure it does not rest on the power cable.



For connection, never use reductions, extensions, adaptors or multi-sockets. Connection of the columns must take place **DIRECTLY** on the power supply mains.

2.5 Prohibitions



It is forbidden to use devices in addition to those provided in the cabinet by the manufacturer to accelerate the defrosting process.



It is forbidden for unskilled staff to remove the cover of the electrical panel or open panels that require the use of tools.



It is forbidden to use the cabinet for the preservation and/or display of explosive, flammable or corrosive substances, such as spray cans containing a flammable propellant.



It is forbidden to use the cabinet for the preservation and/or display of pharmaceutical products.





In case of **PRODUCTS NOT PACKAGED OR PRESERVED AT LOW TEMPERATURE**, it is prohibited to use the cabinet for the preservation and/or display of bottles and packages in glass.




It is forbidden to place the cabinet in areas with the presence of explosive gaseous substances.

Model - Malli - Modell Modell - Model	GINGER - VANILLA	COSTAN eptarefrigeration
Manufacturer - Valmistaja - Tillverkare Produsent - Fabrikant	Epta Spa - Via Mecenate, 86 - 20138 Milano (MI) ITALIA Tel. 02/55403211 Telefax 02/55401023	7/26

 It is forbidden to remove the identification plate from the cabinet.

 It is forbidden to get on the counter or on the counter bumper.

 It is forbidden to replace components and/or make changes to the cabinet outside the manufacturer's specifications, replace original parts with others that are not approved by the manufacturer, under penalty of forfeiture of the warranty.

EN

FI

SV

NN

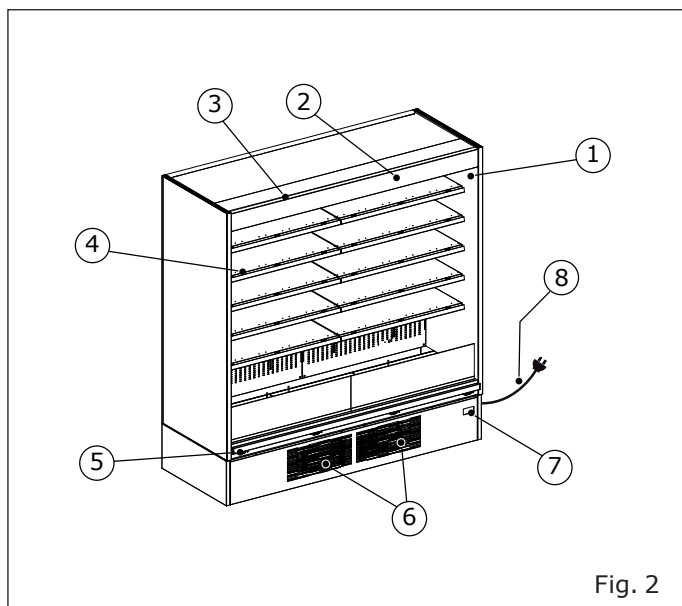
DA

Model - Malli - Modell Modell - Model	GINGER - VANILLA	COSTAN eptarefrigeration
Manufacturer - Valmistaja - Tillverkare Produsent - Fabrikant	Epta Spa - Via Mecenate, 86 - 20138 Milano (MI) ITALIA Tel. 02/55403211 Telefax 02/55401023	8/26

User manual

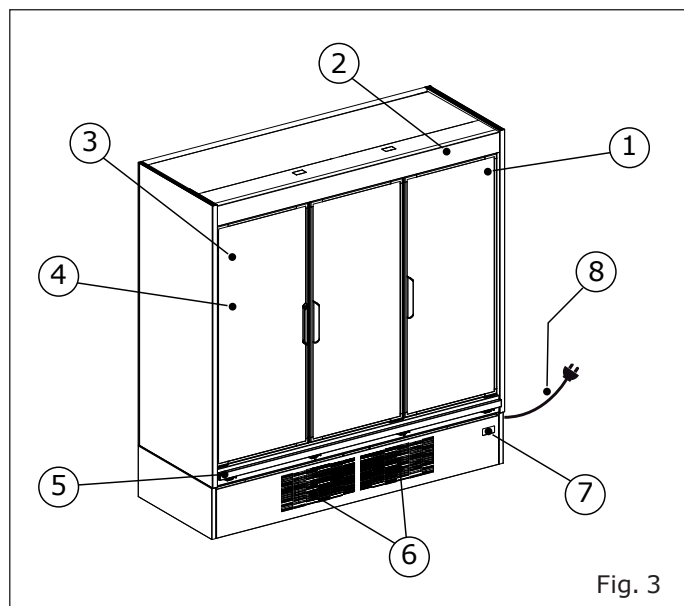
3. GENERAL DESCRIPTION

Open



1. Rating plate
2. Upper lighting
3. Night blinds (mandatory)
4. Shelf lighting
5. Bumper rail
6. Condenser area
7. Control panel
8. Power cord

Closed



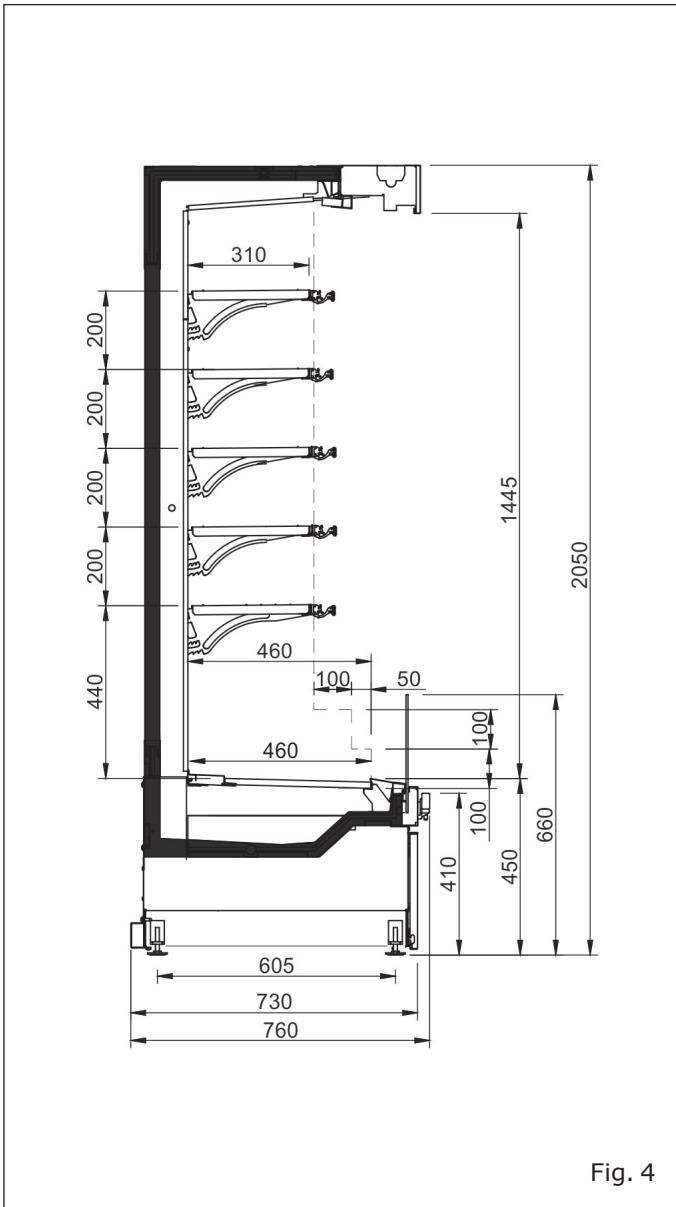
1. Rating plate
2. Upper lighting
3. Glass doors
4. Shelf lighting
5. Bumper rail
6. Condenser area
7. Control panel
8. Power cord

Model - Malli - Modell Modell - Model	<h1>GINGER - VANILLA</h1>	
Manufacturer - Valmistaja - Tillverkare Produsent - Fabrikant	Epta Spa - Via Mecenate, 86 - 20138 Milano (MI) ITALIA Tel. 02/55403211 Telefax 02/55401023	9/26

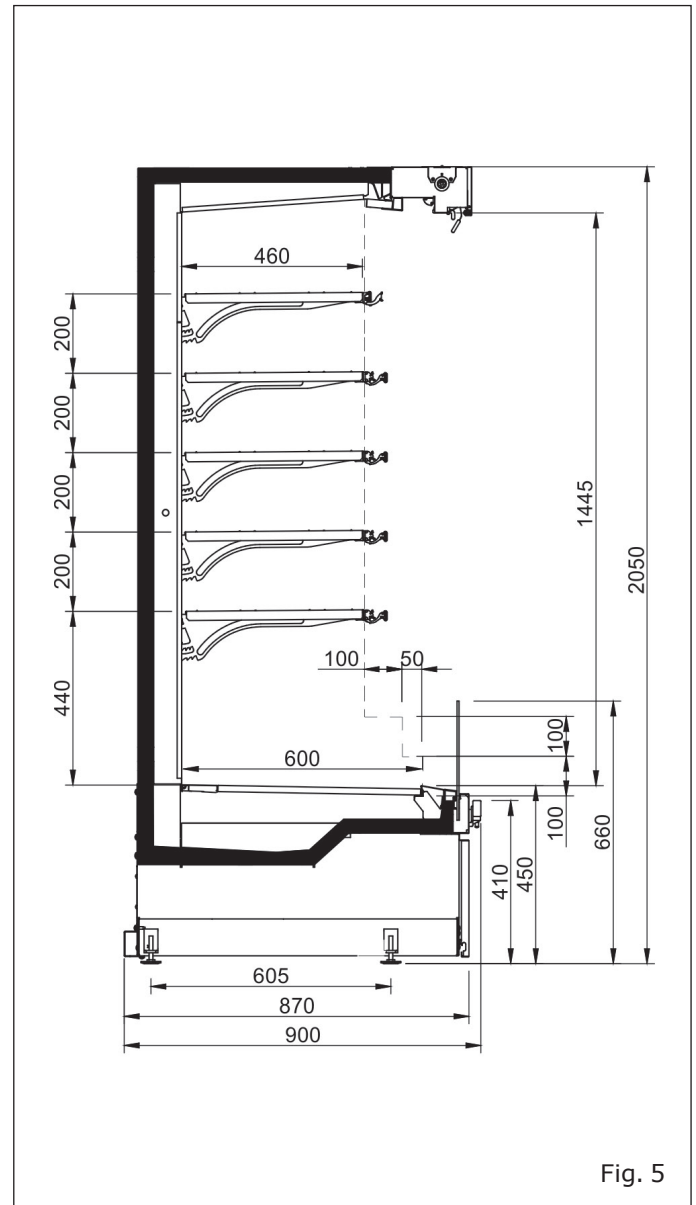
3.1 Sections

Open

COMPACT



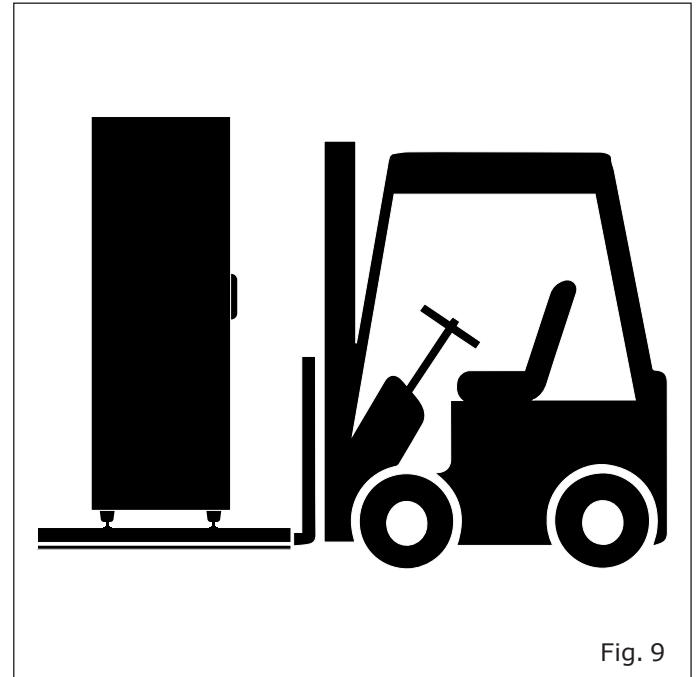
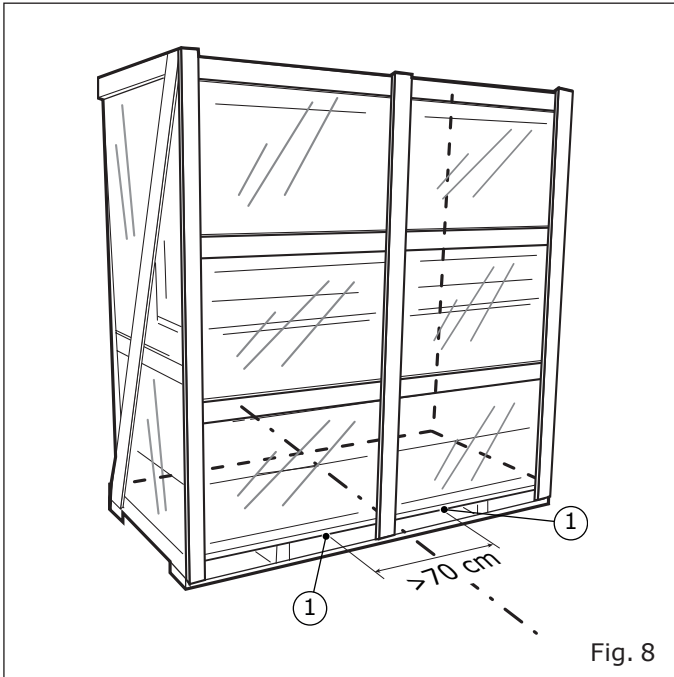
NARROW



- EN
- FI
- SV
- NN
- DA

Model - Malli - Modell Modell - Model	GINGER - VANILLA	COSTAN eptarefrigeration
Manufacturer - Valmistaja - Tillverkare Produsent - Fabrikant	Epta Spa - Via Mecenate, 86 - 20138 Milano (MI) ITALIA Tel. 02/55403211 Telefax 02/55401023	11/26

4. TRANSPORTATION OF THE CABINET



1. Lifting points

Chart I

Open

Height	Depth	Length	Weight (kg)	Weight with packaging (kg)
2000	Compact	937	220	240
		1250	250	270
		1875	270	290
		2500	410	430
	Narrow	937	270	290
		1250	290	310
		1875	430	450
		2500	490	510

Closed

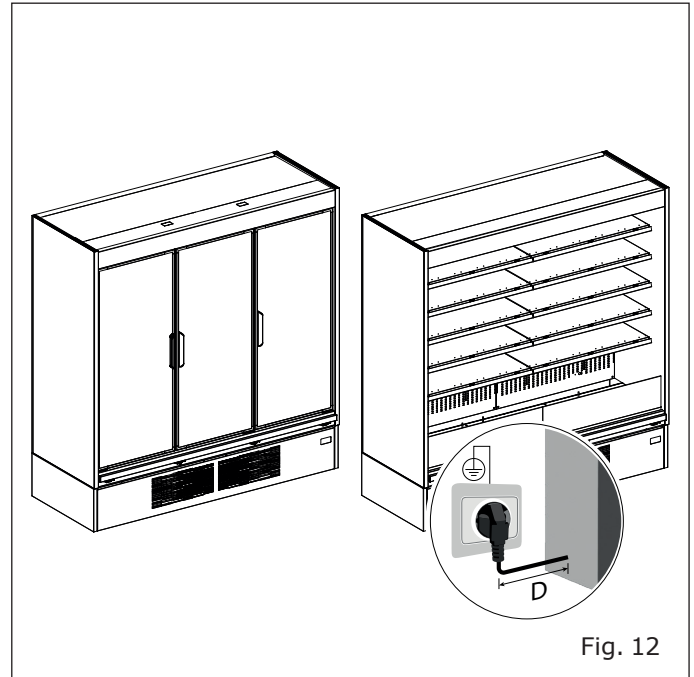
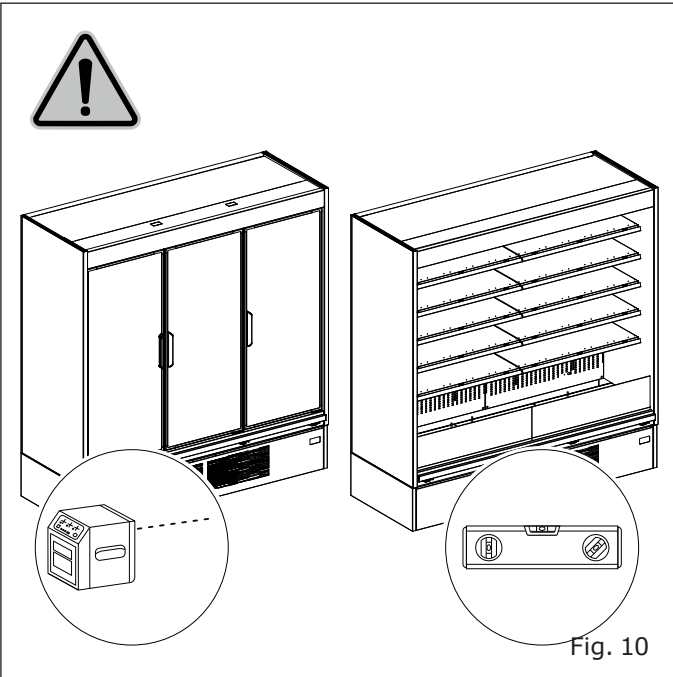
Height	Depth	Length	Weight (kg)	Weight with packaging (kg)
2000	Compact	937	250	270
		1250	270	290
		1875	410	430
		2500	450	470
	Narrow	937	280	300
		1250	300	320
		1875	440	460
		2500	500	520

Model - Malli - Modell Modell - Model	GINGER - VANILLA	COSTAN eptarefrigeration
Manufacturer - Valmistaja - Tillverkare Produsent - Fabrikant	Epta Spa - Via Mecenate, 86 - 20138 Milano (MI) ITALIA Tel. 02/55403211 Telefax 02/55401023	12/26

User manual

EN
FI
SV
NN
DA

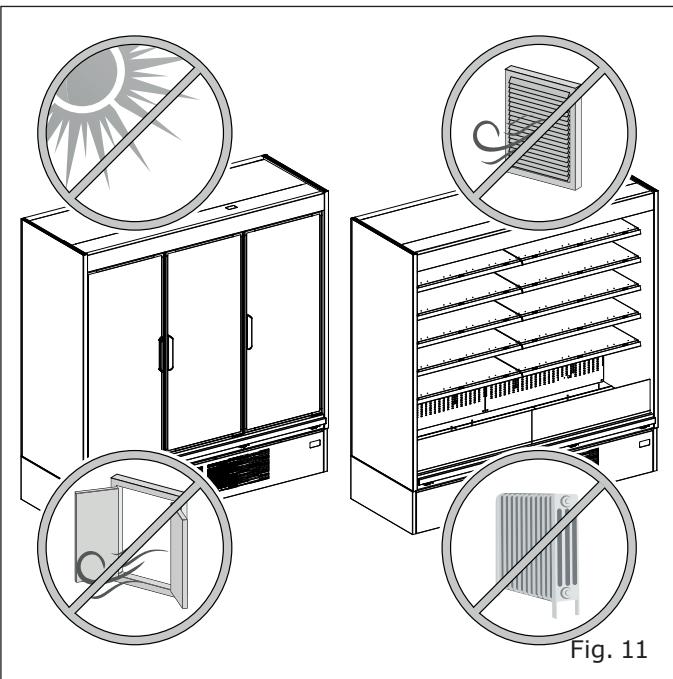
5. AMBIENT CONDITIONS



D=1,5m

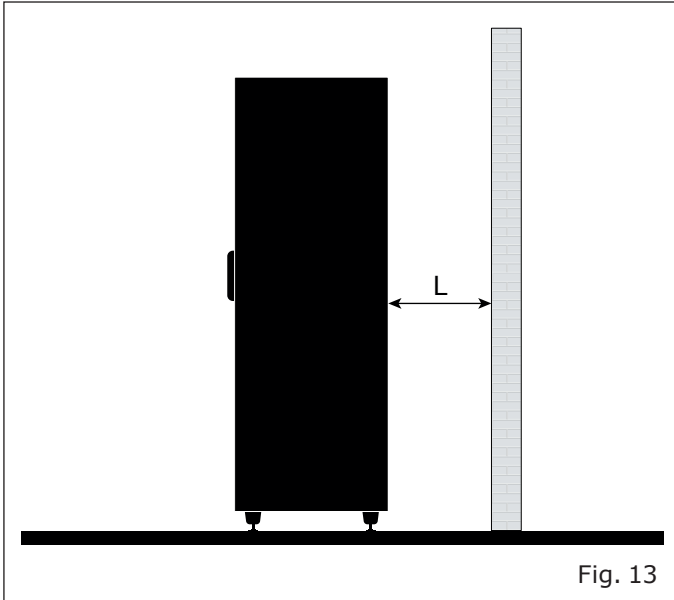
Chart II

Characteristics	
Type of premises	Closed
Temperature	25°C
Relative humidity	60 %
Lighting	600 lx



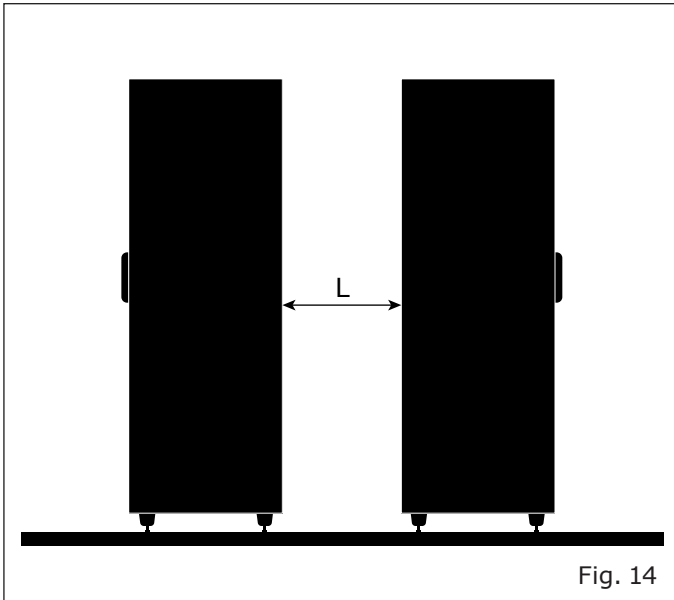
Model - Malli - Modell Modell - Model	GINGER - VANILLA	COSTAN eptarefrigeration
Manufacturer - Valmistaja - Tillverkare Produsent - Fabrikant	Epta Spa - Via Mecenate, 86 - 20138 Milano (MI) ITALIA Tel. 02/55403211 Telefax 02/55401023	13/26

Placement next to the wall



$L \geq 100\text{mm}$

Back to back positioning



$L \geq 200\text{mm}$

- EN
- FI
- SV
- NN
- DA

Model - Malli - Modell Modell - Model	GINGER - VANILLA	COSTAN <small>eptarefrigeration</small>
Manufacturer - Valmistaja - Tillverkare Produsent - Fabrikant	Epta Spa - Via Mecenate, 86 - 20138 Milano (MI) ITALIA Tel. 02/55403211 Telefax 02/55401023	14/26

User manual

6. TECHNICAL FEATURES


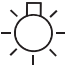




		12	
1 2		SN 13	14
REF 15		16	
RATED BEMESSUNG ASSIGNÉ NOMINALE NOMINAL	3	4	REFRIGERANT KÄLTEMITTEL RÉFRIGÉRANT REFRIGERANTE REFRIGERANTE
5	6	17	18
19	20	CLIMATIC CLASS KLIMAKLASSE CLASSE CLIMATIQUE CLASSE CLIMATICA CLASE CLIMÁTICA	
DEFROSTING ABTAUUNG DÉGIVRAGE SBRINAMENTO DESCONGELAMIENTO	7	21	
8	9	INSULATION BLOWING GAS ISOLATIONS GAS (BLÄHGAS) AGENT MOUSSANT D'ISOLATION GAS ESPUMANTE ISOLAMENTO AGENTE ESPUMANTE	
10	PROTECTION INDEX SCHÜTZART INDEX DE LA PROTECTION INDICE DI PROTEZIONE ÍNDICE DE PROTECCIÓN		23
	11	24	  
		<small>Read Operator's Manual available at www.eptarefrigeration.com or calling: +39 0437 968379</small>	

Fig. 15

- | | |
|---|--|
| <ol style="list-style-type: none"> 1. Origin of the product 2. Product in "Country of origin" 3. Rated voltage 4. Rated power 5. Rated frequency 6. Rated current 7. Defrosting power 8. Defrosting current 9. Heating system 10. Lighting system 11. Operator manual 12. Barcode | <ol style="list-style-type: none"> 13. Serial number 14. Date of production 15. Hat Code 16. Model 17. Type of refrigerant 1 18. Refrigerant mass 1 19. Type of refrigerant 2 20. Refrigerant mass 2 21. Climate class 22. Gas isolation 23. Protection index 24. Certification brands |
|---|--|



Warning: it contains flammable refrigerant gas.

Model - Malli - Modell Modell - Model	GINGER - VANILLA	COSTAN <small>eptarefrigeration</small>
Manufacturer - Valmistaja - Tillverkare Produsent - Fabrikant	Epta Spa - Via Mecenate, 86 - 20138 Milano (MI) ITALIA Tel. 02/55403211 Telefax 02/55401023	15/26

Chart III

Open

Quantity of refrigerant R290 (g)			
Depth	Model	Circuit A	Circuit B
Compact	937	120	-
	1250	145	-
	1875	125	125
	2500	150	150
Narrow	937	120	-
	1250	145	-
	1875	125	125
	2500	150	150

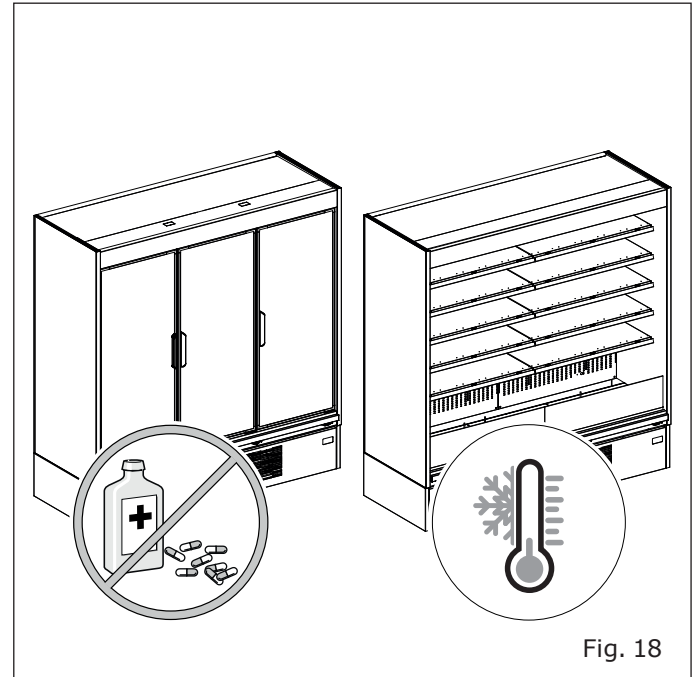
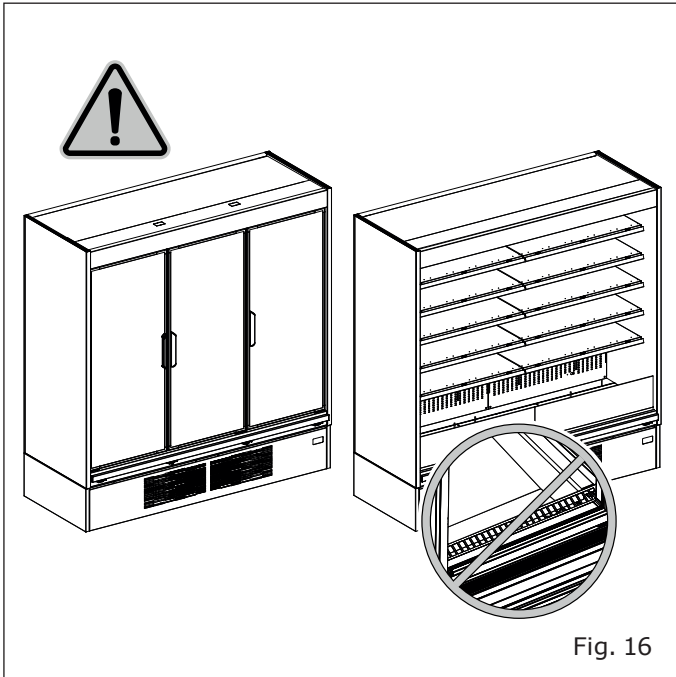
Closed


Quantity of refrigerant R290 (g)			
Depth	Model	Circuit A	Circuit B
Compact	937	140	-
	1250	140	-
	1875	140	-
	2500	150	-
Narrow	937	140	-
	1250	140	-
	1875	140	-
	2500	150	-

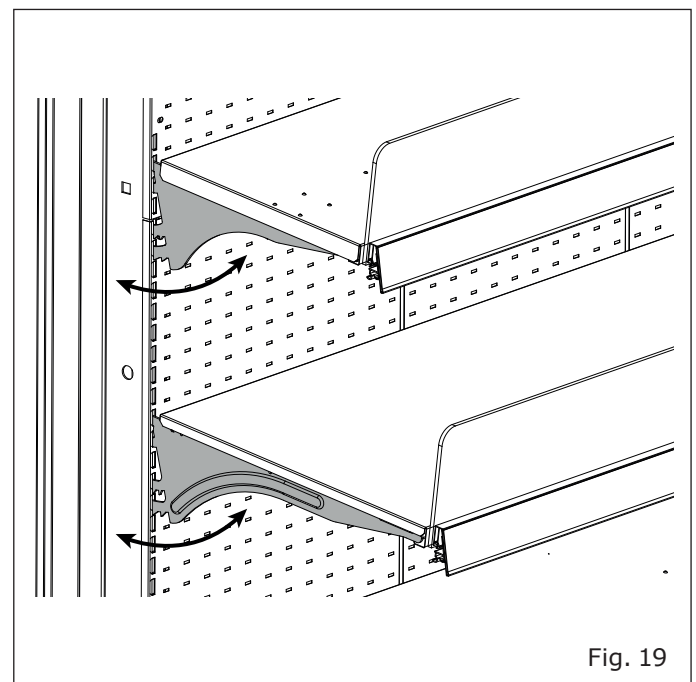
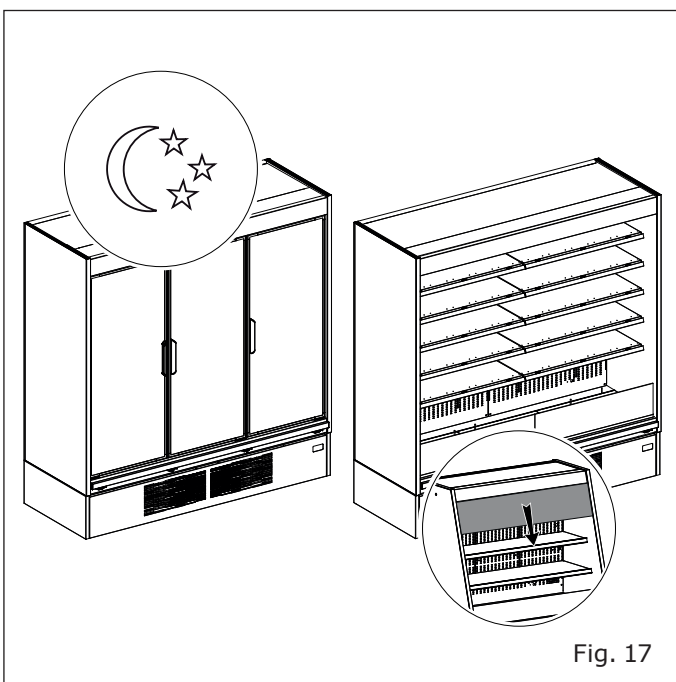
Model - Malli - Modell Modell - Model	<h1>GINGER - VANILLA</h1>	
Manufacturer - Valmistaja - Tillverkare Produsent - Fabrikant	Epta Spa - Via Mecenate, 86 - 20138 Milano (MI) ITALIA Tel. 02/55403211 Telefax 02/55401023	16/26

- EN
- FI
- SV
- NN
- DA

7. USE OF CABINET

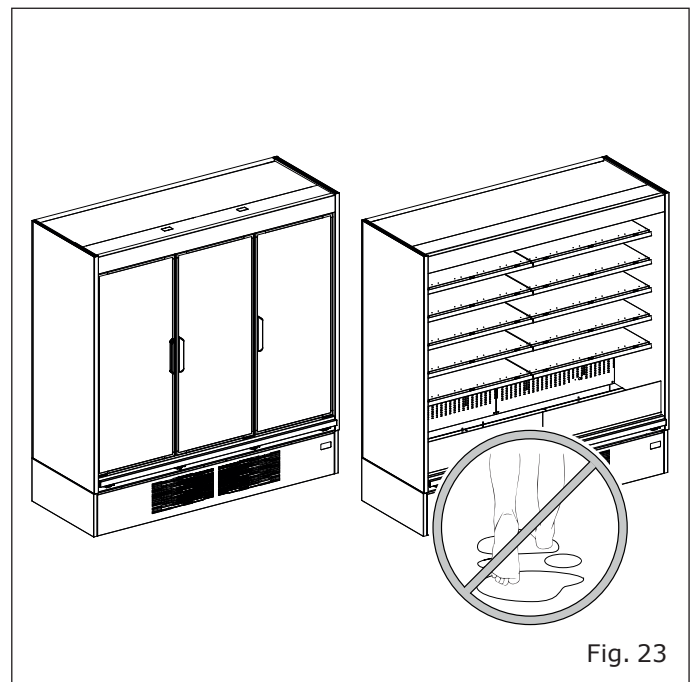
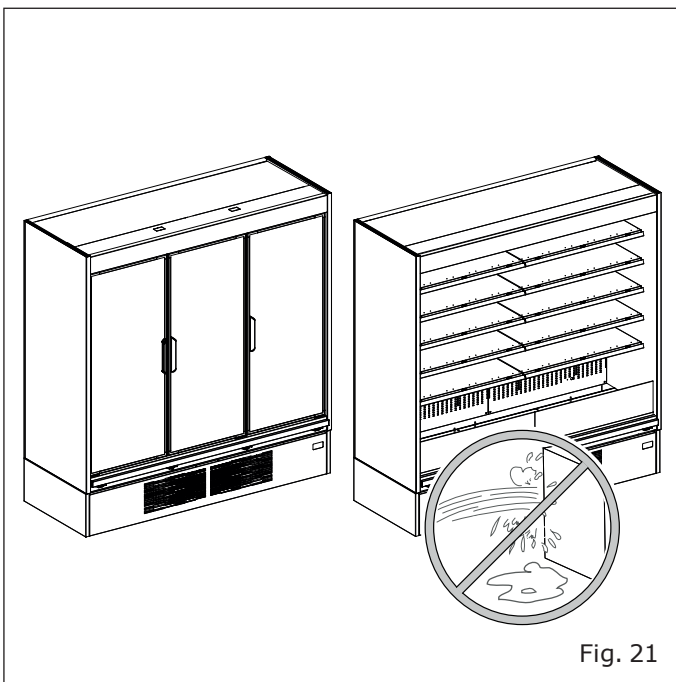
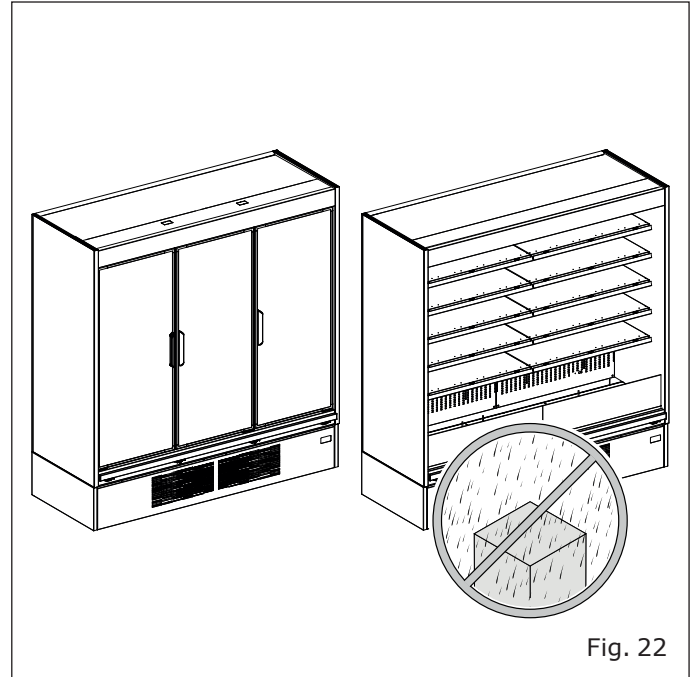
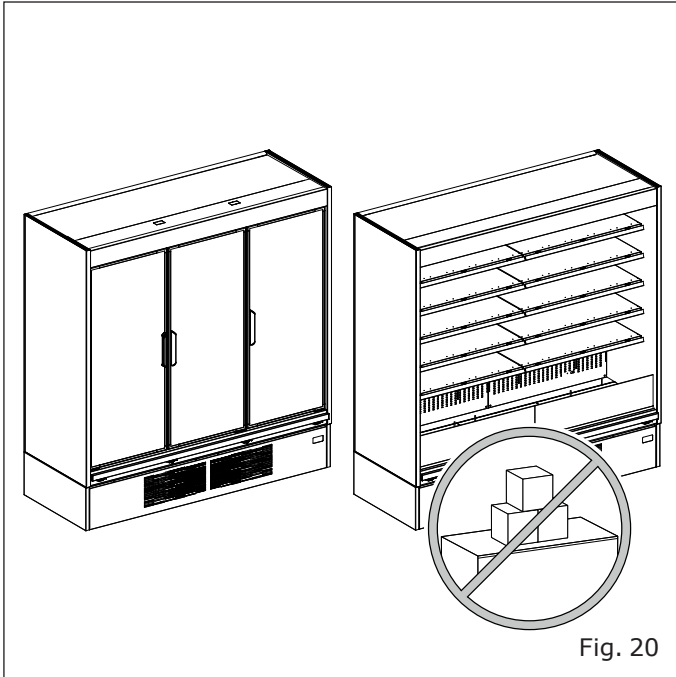


 Do not cover



Inclination of shelves: 0° - 7° - 14° - 21°

Model - Malli - Modell Modell - Model	<h1>GINGER - VANILLA</h1>	
Manufacturer - Valmistaja - Tillverkare Produsent - Fabrikant	Epta Spa - Via Mecenate, 86 - 20138 Milano (MI) ITALIA Tel. 02/55403211 Telefax 02/55401023	17/26



- EN
- FI
- SV
- NN
- DA

Model - Malli - Modell Modell - Model	GINGER - VANILLA	COSTAN eptarefrigeration
Manufacturer - Valmistaja - Tillverkare Produsent - Fabrikant	Epta Spa - Via Mecenate, 86 - 20138 Milano (MI) ITALIA Tel. 02/55403211 Telefax 02/55401023	18/26

User manual

8. ORDINARY MAINTENANCE

8.1 Cleaning the cabinet

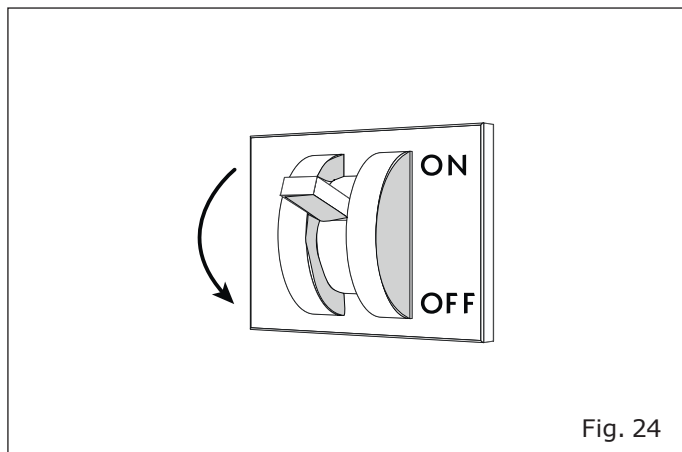


Fig. 24

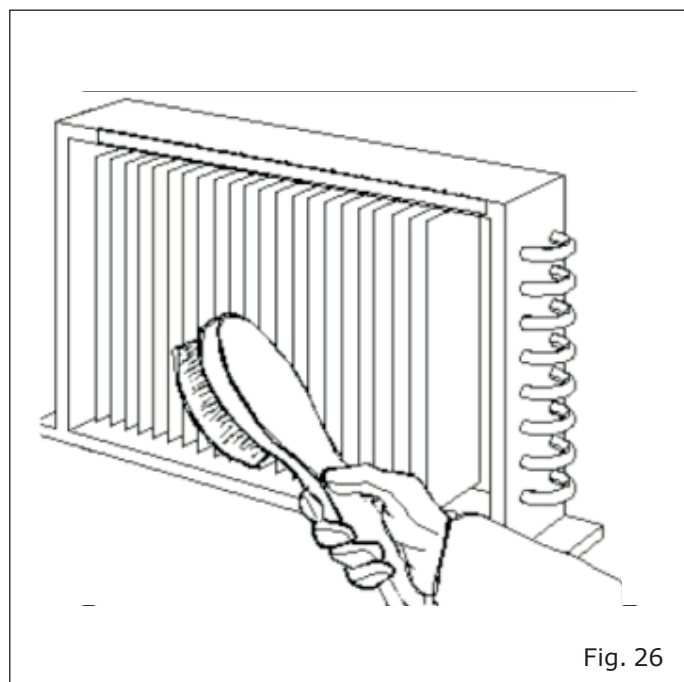


Fig. 26

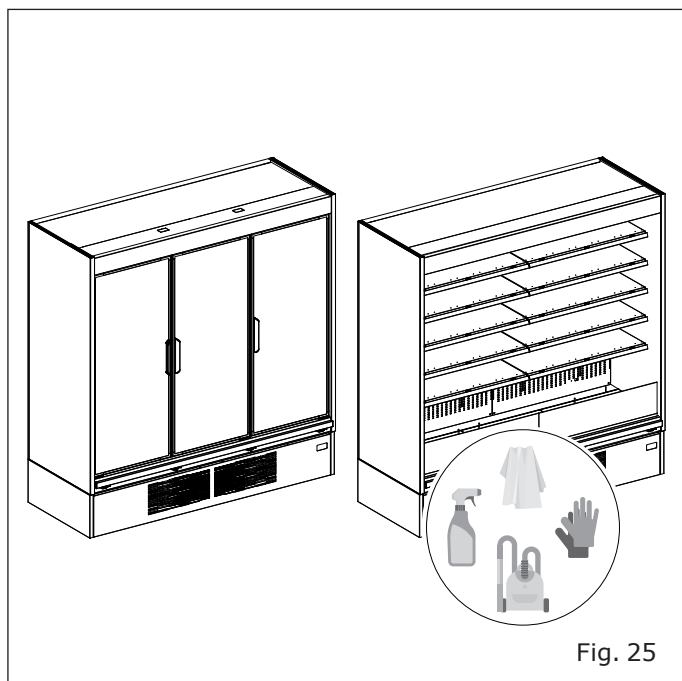


Fig. 25



Fig. 27

Model - Malli - Modell Modell - Model	GINGER - VANILLA	COSTAN <small>eptarefrigeration</small>
Manufacturer - Valmistaja - Tillverkare Produsent - Fabrikant	Epta Spa - Via Mecenate, 86 - 20138 Milano (MI) ITALIA Tel. 02/55403211 Telefax 02/55401023	19/26

9. SHELVES CONFIGURATION

Chart IV

Single depth shelf configuration	
COMPACT	NARROW
N x 310	N x 310
N x 360	N x 360
-	N x 410
-	N x 460

N = Number of shelf levels

EN

FI

SV

NN

DA

Model - Malli - Modell Modell - Model	GINGER - VANILLA	COSTAN eptarefrigeration
Manufacturer - Valmistaja - Tillverkare Produsent - Fabrikant	Epta Spa - Via Mecenate, 86 - 20138 Milano (MI) ITALIA Tel. 02/55403211 Telefax 02/55401023	20/26

10. USER INDICATIONS

10.1 Description of the cabinet

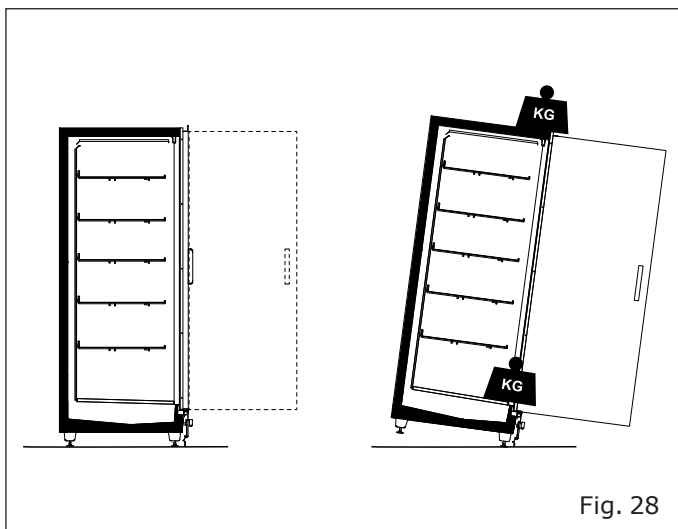
This display case was designed and manufactured exclusively for the display of fresh packed food, drinks and dairies.

TEMPERATURE CLASS (according to EN ISO 23953-2):

- Open 3M1
- Closed 3M0

The general characteristics and the dimensions are illustrated in the figures and in the sections contained in: "General description" (from pg. "8" to pg. "10").

During transport and handling, receipt and storage, installation, loading, use, cleaning and maintenance, dismantling, pay attention to the risk of overturning the cabinet ("Fig. 28").



10.2 Transport and handling

The cabinet is contained in a specific packaging equipped with a platform for handling with forklift trucks.

To transport and handle the cabinet use:

- Exclusively a dedicated or equivalent platform
- A manual or electric forklift suited to lifting the cabinet, with characteristics that comply with current Standards

The weights of the cabinet (empty and with packaging) and the dimensions of the packaging are shown in: "Transportation of the cabinet" (chart "Chart I" and figures at pg."11").

The handling operations must be carried out by qualified staff able to assess weights, lifting points and most suitable means in terms of safety and capacity.

10.3 Receipt and storage

Check conditions of the packaging before accepting the cabinet from the carrier.

If there is obvious damage in the packaging:

- Remove the packaging of the cabinet in the presence of the carrier.
- Sign the delivery document with reservation

The manufacturer shall not be held responsible for any damage caused due to transport or incorrect storage of the cabinet.

The cabinet must be stored in a place sheltered from sun and weather, with a temperature of between -25°C and +55°C and a relative humidity of the air between 30% and 95%.

Model - Malli - Modell Modell - Model	GINGER - VANILLA	
Manufacturer - Valmistaja - Tillverkare Produsent - Fabrikant	Epta Spa - Via Mecenate, 86 - 20138 Milano (MI) ITALIA Tel. 02/55403211 Telefax 02/55401023	21/26

10.4 Installation and ambient conditions

The cabinet is not designed to be installed outdoors.

For a correct operation of the cabinet, ensure that it is positioned:

- On a levelled floor ("Fig. 10").
- Far from heat sources, from the direct radiation of the sun, from doors, windows, fans and air vents ("Fig. 11").

Provide the space necessary for the use of the cabinet by the client.

The ambient conditions in which the cabinet should be placed are set out in: "Ambient conditions" (chart "Chart II", Pg."12").

10.5 Electrical connection

An omnipolar disconnecter switch must be installed upstream of the cabinet. This must have:

- Minimum distance of the contacts of 3 mm
- Adequate breaking power

The disconnecter switch must be placed in a position that makes it easy to operate in emergency situations (maximum distance of 3 m).

Before connecting the cabinet, ensure that the supply voltage corresponds to the rating plate data of the cabinet. To guarantee smooth operation, the maximum voltage variation must be between +/- 6% of the nominal value.

10.6 Technical features

The identification plate shows the characteristic technical data of the cabinet. Its position and the type of data are shown in: "Technical features" ("Fig. 15").

Wiring diagrams, control instrument calibration lists, installation instructions and copy of the Declaration of Conformity are available on the website <https://documents.eptarefrigeration.com>.

The sound pressure level generated by the operation of the cabinet is lower than 70 dB(A). The cabinet does not cause harmful vibrations.

10.7 Loading the product

Energise the cabinet to start its cooling cycle, by acting on the general disconnecter switch mounted on the wall. After about 2 hours it is possible to load the cabinet.

The cabinet is suitable to maintain the temperature of the goods and not lower it; the foods, therefore, must be introduced inside it only if already cooled to the respective temperatures of preservation. Products which have been heated must never be introduced into the cabinet.

In the presence of glass fronts on the cabinet, it is recommended to load the goods when there is no customer in the sales area.

In loading the goods, ensure that:

- The load is homogeneous in terms of dimension and quality of the products.
- The goods do not obstruct the correct flow of refrigerated air ("Fig. 16")
- The goods do not exceed the load line.

Uniformly distributed maximum permissible load:

- On the bottom level: 225 kg/m²
- On the shelves: 140 kg/m²

Model - Malli - Modell Modell - Model	GINGER - VANILLA	COSTAN <small>eptarefrigeration</small>
Manufacturer - Valmistaja - Tillverkare Produsent - Fabrikant	Epta Spa - Via Mecenate, 86 - 20138 Milano (MI) ITALIA Tel. 02/55403211 Telefax 02/55401023	22/26

10.8 Use of cabinet

Thermostat/thermometer

A remote thermostat/thermometer is positioned on the bottom right of the cabinet to control the temperature ("Fig. 2", "Fig. 3"). The remote thermostat displays the existing temperature inside the housing and the temperature is controlled using the dedicated buttons.

Configuration and inclination of the display shelves

To ensure the correct performance that the cabinet was designed for, shelves must be arranged inside the cabinet according to the set-up described below. (chart "Chart IV" to pg. "19").

By varying the coupling position of the shelves with the rear uprights of the counter, 4 different inclinations ("Fig. 19").



Using night covers or night curtains, if any are installed, during closing hours. ("Fig. 17").

10.9 Cleaning and ordinary maintenance

Good visibility in the intervention area is recommended, possibly using an additional light source.

Cleaning the cabinet

Only use water at a maximum temperature of 65°C and household soap or neutral detergent diluted in water.

Never use:

- Abrasive sponges
- Flammable or abrasive products such as alcohol, acetone or solvents
- Detergents that contain non-ionic surfactants, lemon or vinegar (acetic acid)



Do not wash or clean the top part of the cabinet with water or liquids.

Clean all the external parts of the cabinet **ONCE A WEEK**.

Clean all the internal parts of the cabinet **ONCE A MONTH**, following the instructions below:

- Disconnect the power supply to the cabinet using the wall-mounted main switch-disconnector ("Fig. 24").
- Empty the cabinet, storing the goods in cold rooms or refrigerators to maintain the preservation temperature.
- Wait for the inside of the cabinet to have reached the ambient temperature and then clean
- After carefully checking that the inside of the cabinet is completely dry, restart the appliance by re-energising the cabinet.
- After a couple of hours, load the goods again.

Model - Malli - Modell Modell - Model	GINGER - VANILLA	COSTAN eptarefrigeration
Manufacturer - Valmistaja - Tillverkare Produsent - Fabrikant	Epta Spa - Via Mecenate, 86 - 20138 Milano (MI) ITALIA Tel. 02/55403211 Telefax 02/55401023	23/26

When you put the cabinet out of service, disconnect the power and follow the passages above, leaving the doors open (if available) to avoid odours.

Defrost the cabinet **EVERY THREE MONTHS** to allow the ice to melt which may have formed on the fins of the evaporator preventing correct operation. The duration of the defrosting activity is regulated directly in the factory. Any adjustments are reserved exclusively for the technical service department. The defrosting water is collected by a special drain and conveyed to a dissipation tray placed at the bottom of the cabinet. Periodically check that the defrosting water drains normally. If not, intervene immediately using a non-pointed flexible probe.

Do as indicated to clean the internal parts **MONTHLY**, but in this case foresee a longer waiting time to allow the ice to melt completely.

In particular, clean the condensing unit at least every 30 days with a hard metallic brush, removing the dust and dirt from the fins.

A dirty condensing unit cools less, causing waste of energy and poor performance. Wear resistant gloves when cleaning the condensing unit.



Only for closed model

The condenser is a self-cleaning model that does not require routine maintenance. However, for safety reasons, **EVERY TWO YEARS** must be cleaned by blowing air through a compressed air pump to remove any residue or accumulated dust ("Fig. 27").

10.10 Emergency situations

The cabinet does not start or it stops:

- Check there is no electrical blackout.
- Check that the main power switch on the wall is on.
- Check the cabinet plug is inserted into the socket.

If the power outage does not depend on these reasons, contact the nearest authorised service centre and empty completely and immediately store the product in cold rooms or refrigerators that can maintain the preservation temperature.

The cabinet does not cool sufficiently:

- Check that the condensing unit is clean and able to carry out its heat exchange function; clean thoroughly, if the fins are obstructed.
- Check that the cabinet is loading correctly.
- Defrost the cabinet and then resume normal operation, if this operation has not been carried out for more than three months.
- Check that the cabinet is not close to heat sources or air currents.
- Verify the ambient conditions; the reference values are contained in: "Ambient conditions" ("Chart II", Pg."12").
- Check the flatness of the cabinet using a leveller.

If cooling failure persists, contact your nearest authorised service centre.

EN

FI

SV

NN

DA

Model - Malli - Modell Modell - Model	GINGER - VANILLA	COSTAN eptarefrigeration
Manufacturer - Valmistaja - Tillverkare Produsent - Fabrikant	Epta Spa - Via Mecenate, 86 - 20138 Milano (MI) ITALIA Tel. 02/55403211 Telefax 02/55401023	24/26

EN
FI
SV
NN
DA

The cabinet is noisy:

- Check screws and bolts are perfectly tightened.
- Check the flatness of the cabinet using a leveller.

If the inconvenience persists, contact your nearest authorised service centre.

10.11 Technical assistance

Where technical assistance personnel are required, contact immediately the supplier from whom the cabinet was purchased. If you need to use spare parts always refer to the technical assistance service: ask and ensure that original spare parts are used.

10.12 Dismantling and elimination

In accordance with the rules for dismantling waste in force in the individual Countries and to respect the environment in which we live, we ask you to separate the parts of the cabinet so that they can be disposed of separately or, if necessary, recover them appropriately. Not all parts of the cabinet are comparable to municipal solid waste with the exception of the metallic parts that, in any case, are not included in special waste for the majority of European Countries.



The refrigeration system is high pressure. Contact expert staff before disposing of it.

The components of the refrigeration circuit must not be cut and/or separated before the circuit is discharged, with the recovery of refrigerant gas by qualified personnel.

Model - Malli - Modell Modell - Model	GINGER - VANILLA	COSTAN <small>eptarefrigeration</small>
Manufacturer - Valmistaja - Tillverkare Produsent - Fabrikant	Epta Spa - Via Mecenate, 86 - 20138 Milano (MI) ITALIA Tel. 02/55403211 Telefax 02/55401023	25/26

11. SUPPLEMENTARY GENERAL WARNINGS

Instructions for correct installation and maintenance

The user and maintenance instructions are found in the User Manual available on the website:

www.eptarefrigeration.com.

The installation instructions dedicated to expert staff are available:

- From the service network
- In some categories of product in paper format delivered together with the product

Professional repair services

The services are provided by our service network which can be consulted in the contacts area at the website address www.eptarefrigeration.com.

Spare parts

The spare parts and the information for the repair of the appliance are available for at least 8 years after the product is declared out of production at the following web address: www.epta-service.com/service.

The log-in credentials are provided on request to send via mail to:

servicesupport@eptarefrigeration.com.

Cleaning air condenser

The incorporated unit appliances with air condensation maintain their efficiency only if the condenser is cleaned using the methods and times indicated in the user and maintenance manual.

Important information on food waste

It is recommended to follow attentively the instructions of preservation shown in the packages of the products and the indications provided by the food producers.

Therefore, the temperature settings must be suited to the characteristics of preservation of the food products consistently in accordance with the indications set out in our technical documentation.

Incorrect uses can result in deterioration.

Ambient conditions

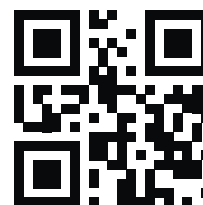
This appliance is intended to function in environments in which the temperature and humidity fall within the limits provided for in the User and maintenance manual.

Instructions for disassembly

For disassembly activities, it is necessary to contact the professional operators.

The Epta Group, which has always been driven by a special attention for the environment, makes available the dismantling and waste treatment manuals to users, downloadable below

- Access the site www.costan.com



- Access the **technical area** section of the cabinet.

Other information

For further and more detailed information, please refer to www.eptarefrigeration.com and to EPREL which is accessed through the QR code here or in the energy label of the product.



Model - Malli - Modell Modell - Model	GINGER - VANILLA	COSTAN <small>eptarefrigeration</small>
Manufacturer - Valmistaja - Tillverkare Produsent - Fabrikant	Epta Spa - Via Mecenate, 86 - 20138 Milano (MI) ITALIA Tel. 02/55403211 Telefax 02/55401023	26/26

User manual

EN
FI
SV
NN
DA

Limits of application



This cabinet is designed for the use, transport and storage of up to a maximum altitude of 2000 m above sea level.

Storage:

- Temperature between 15°C and 50°C
- Relative humidity between 20% and 90%
- Maximum time 6 months

Transport:

- Temperature between 20°C and 70°C
- Relative humidity between 20% and 90%
- Maximum time 2 months

Installation:

- Temperature between 0°C and 40°C
- Relative humidity between 20% and 90%
- Maximum time 2 months

Use:

The performance of the cabinet is not guaranteed outside of its normal use. Its integrity and safety is guaranteed within the following limits for temporary conditions.

Environment outside of the cabinet:

- From class 1 (16°C / 80%rh) to class 4 (30°C / 55%rh) or class 6 (27°C / 70%rh)

Environment inside the cabinet (conditions for electrical safety):

Positive temperature cabinet

- Temperature between -10°C and +10°C
- Relative humidity between 70% and 100%
- Maximum time 10 years

Negative temperature cabinet

- Temperature between -40°C and 15°C
- Relative humidity between 90% and 100%
- Maximum time 10 years



During operation, the heating elements could locally record temperatures higher than the aforementioned limits, however always in full respect of the safety conditions.

Model - Malli - Modell Modell - Model	GINGER - VANILLA	COSTAN eptarefrigeration
Manufacturer - Valmistaja - Tillverkare Produsent - Fabrikant	Epta Spa - Via Mecenate, 86 - 20138 Milano (MI) ITALIA Tel. 02/55403211 Telefax 02/55401023	2/26

User manual

SISÄLTÖ

EN	1. Johdanto	3
FI	2. Turvallisuusvaroitukset	4
	2.1 R290-kylmäainetta (propania) sisältäviä laitteita koskevat varoitukset	4
SV	2.2 Yleiset varoitukset	4
	2.3 Kalusteen kunnossapitoa koskevat varoitukset	5
NN	2.4 Sähköjärjestelmää koskevat varoitukset	6
	2.5 Kiellot	6
DA	3. Yleiskuvau	8
	3.1 Osiot	9
	4. Kalusteen kuljetus	11
	5. Ympäristöolosuhteet	12
	6. Tekniset tiedot	14
	7. Kalusteen käyttö	16
	8. Tavanomainen kunnossapito	18
	8.1 Kalusteen puhdistus	18
	9. Hyllyjen kokoonpano	19
	10. Käyttömerkinnät	20
	10.1 Kalusteen kuvaus	20
	10.2 Kuljetus ja käsittely	20
	10.3 Vastaanottaminen ja varastointi	20
	10.4 Asennus ja ympäristöolosuhteet	21
	10.5 Sähkökytkentä	21
	10.6 Tekniset tiedot	21
	10.7 Kalusteen täyttäminen	21
	10.8 Kalusteen käyttö	22
	10.9 Puhdistaminen ja tavanomainen kunnossapito	22
	10.10 Häätätilanteet	23
	10.11 Avustava tekninen henkilöstö	24
	10.12 Purkaminen ja käytöstäpoisto	24
	11. Täydentäviä yleisiä varoituksia	25

ASIAKIRJASSA KÄYTETYT MERKIT



Kieltomerkki: kieltää tietyt toimenpiteet.



Huomiomerkki: tärkeä ohje laitteen käyttäjälle onnettomuuksien välttämiseksi.



Varoitusmerkki: varoittaa kalusteen ja/tai sen osien vahingoittumisen mahdollisuudesta.



Huomautusmerkki: antaa käyttäjälle hyödyllistä tietoa.

Model - Malli - Modell Modell - Model	GINGER - VANILLA	COSTAN eptarefrigeration
Manufacturer - Valmistaja - Tillverkare Produsent - Fabrikant	Epta Spa - Via Mecenate, 86 - 20138 Milano (MI) ITALIA Tel. 02/55403211 Telefax 02/55401023	3/26

1. JOHDANTO

Lue nämä ohjeet huolellisesti ja säilytä niitä kalusteen yhteydessä.

Valmistaja ei ole vastuussa mistään henkilö- tai omaisuusvahingoista, jotka johtuvat näiden ohjeiden laiminlyönnistä.



Kuva 1

Nämä ohjeet sisältävät tärkeää tietoa kalusteen asianmukaisesta käytöstä.

Ohjeissa on seuraavat kuvaukset ja tiedot:

- kalusteen ja sen osien toimintojen kuvaus
- kalusteen turvallista käyttöä koskevat tiedot ja noudatettavat turvallisuusohjeet
- kalusteen asianmukainen käyttö
- kalusteen asianmukainen kunnossapito ja puhdistus.

Nämä ohjeet eivät sisällä seuraavia tietoja:

- asennusohjeet.

Kalusteen asennusohjeet ovat seuraavissa asiakirjoissa:

- Tekniset ohjeet
- Pikaohjeet

Nämä ohjeet on tarkoitettu seuraaville ammattimaisille henkilöille:

- **PÄTEVÄ KÄYTTÄJÄ:** pätevä henkilö, jolla on asianmukainen koulutus kalusteen käyttöä, säätöä, puhdistusta ja tavanomaista kunnossapitoa varten.
- **TEKNIKKO:** asiantunteva teknikko, jolla on valmistajan, toimiluvan haltijan tai jakelijan kanssa laaditun sopimuksen mukainen valtuutus seuraavien töiden suorittamiseen: asennus, muut kuin tavanomaiset kunnossapitotyöt, korjaus, vaihto ja kunnostus.

Käyttöohjeet ovat saatavilla myös seuraavissa paikoissa:
www.eptarefrigeration.com.

Katso kalustetta koskevat säädökset ja sertifiointit vaatimustenmukaisuusvakuutuksesta.

Säilytä ohjekirja huolellisesti ja luovuta se laitteen uudelle omistajalle mahdollisen myynnin yhteydessä.

Model - Malli - Modell Modell - Model	GINGER - VANILLA	COSTAN eptarefrigeration
Manufacturer - Valmistaja - Tillverkare Produsent - Fabrikant	Epta Spa - Via Mecenate, 86 - 20138 Milano (MI) ITALIA Tel. 02/55403211 Telefax 02/55401023	4/26

2. TURVALLISUUSVAROITUKSET

2.1 R290-kylmäainetta (propania) sisältäviä laitteita koskevat varoitukset



Propani on luonnonkaasu, jolla ei ole ympäristövaikutuksia, mutta se on herkästi syttyvää. Siksi on tärkeää varmistaa, että jäähdytyspiirin kaikki putket ovat ehjiä, ennen kuin kaluste kytketään virtalähteeseen. Kalusteen asennuspaikassa on oltava vähintään yksi kuutiometri tilaa jokaista kahdeksaa grammaa kylmäainetta kohden. Kalusteen kylmäainemäärä on ilmoitettu kalusteeseen kiinnitetystä teknisessä tietokilvessä. Jos havaitset kylmäainevuodon, varmista, että vuotokohdan lähellä ei ole liekkejä tai muita syttymislähteitä.



Älä vahingoita kylmäainepiiriä.



Syttymisriskin välttämiseksi tämän kalusteen saa asentaa vain pätevä henkilöstö, jolla on asianmukaiset valtuudet.

2.2 Yleiset varoitukset



Valmistaja ei ole vastuussa mistään henkilö- tai omaisuusvahingoista, jotka johtuvat näiden ohjeiden sisältämien varoitusten laiminlyönnistä. Kalusteen kaikkien käyttäjien on luettava nämä käyttöohjeet.



Työnantajan on tarjottava henkilöstölle koulutus onnettomuusriskeistä, laitteiden turvallisesta käytöstä, melupäästöjen vaaroista sekä yleisistä turvallisuusohjeista ja -sääöksistä.



Kalustetta saavat käyttää vain aikuiset henkilöt, joilla on tarvittavat tiedot ja joiden fyysiset tai henkiset kyvyt eivät ole alentuneet. Lapset (erityisesti 0–3-vuotiaat) eivät saa käyttää kalustetta. Aikuisten on valvottava, että lapset eivät leiki kalusteella.



Kaikki muut paitsi näissä ohjeissa kuvatut käyttötavat katsotaan vaarallisiksi, eikä valmistaja ole vastuussa mistään vahingoista, jotka johtuvat laitteen sopimattomasta, väärästä tai kohtuuttomasta käytöstä.



Kalusteen käyttäjillä on oltava asianmukaiset henkilönsuojaimet.



Suojakäsineitä on käytettävä.



Älä jätä kalustetta alttiiksi sään vaikutuksille.



Älä suuntaa kalusteeseen vesisuihkua suoraan tai välillisesti.





Älä koske kalusteeseen kosteilla tai märillä käsillä tai jaloilla. Käytä aina jalkineita kalusteen käytön aikana.





Suojalaitteiden tai -paneelien irrottaminen, joka edellyttää työkalujen käyttöä, on annettava pätevän henkilöstön tehtäväksi.


Model - Malli - Modell Modell - Model	GINGER - VANILLA	COSTAN <small>eptarefrigeration</small>
Manufacturer - Valmistaja - Tillverkare Produsent - Fabrikant	Epta Spa - Via Mecenate, 86 - 20138 Milano (MI) ITALIA Tel. 02/55403211 Telefax 02/55401023	5/26


 Ota yhteyttä lähimpään valtuutettuun huoltokeskukseen, jos laitteeseen on asennettava lisävarusteita.


 Kaikki asennustyöt on annettava pätevän henkilöstön tehtäväksi, ja kalusteen virransyöttö on katkaistava aina ennen asennustyön aloittamista.


 Osoita pääkatkaisimen sijainti jokaiselle kalusteen käyttäjälle.


 Ainoastaan tekninen tukihenkilöstö saa säätää laitteen termostaattia.


 Huomioi kuumat tai liikkuvat osat, jotka on merkitty asianmukaisella merkillä.


 Tulipalon syttyessä älä yritä sammuttaa liekkejä vedellä, vaan käytä aina jauhesammutinta.


 Älä vahingoita kylmäainepiiriä.

 Vältä tulen tai kipinöiden muodostumista laitteen sisällä.


 Pidä laitteen ilmanvaihtoaukot esteettöminä.


 Älä käytä laitteen sisälukeroissa mitään sähkölaitteita pakastettujen ruokien säilyttämiseen, ellei valmistaja ole erityisesti suositellut kyseistä laitetyyppiä.


 Älä säilytä laitteessa räjähtäviä tai vaarallisia aineita, kuten syttyviä polttoaineita sisältäviä aerosolipulloja.


 Älä aseta nestesäiliöitä tai kaada nesteitä tason päälle.


2.3 Kalusteen kunnossapitoa koskevat varoitukset

 Ainoastaan valtuutettu henkilöstö saa suorittaa laitteen kunnossapitotöitä.

 Vain pätevät teknikot saavat käsitellä laitteen sähköosia ja/tai osia, jotka edellyttävät työkalujen käyttöä.

 Katkaise kalusteen virransyöttö seinäkytkimestä ennen minkään kunnossapito- tai puhdistustyön aloittamista.

 Huomioi kuumat tai liikkuvat osat, jotka on merkitty asianmukaisella merkillä.

 Suojakäsineitä on käytettävä.

EN

FI

SV


NN


DA


Model - Malli - Modell Modell - Model	GINGER - VANILLA	COSTAN eptarefrigeration
Manufacturer - Valmistaja - Tillverkare Produsent - Fabrikant	Epta Spa - Via Mecenate, 86 - 20138 Milano (MI) ITALIA Tel. 02/55403211 Telefax 02/55401023	6/26


User manual


2.4 Sähköjärjestelmää koskevat varoitukset


 Varmista, että verkkojännite vastaa kalusteen arvokilpeen merkittyä jännitettä.


 Vain pätevä sähköasentaja saa tehdä laitteen sähköasennuksen.


 Sähköpaneelin suojuksen saa avata ainoastaan pätevä sähköasentaja.


 Asennusta koskevien sääntöjen mukaisesti virransyötössä on oltava omnipolaarinen katkaisin, joka varmistaa täydellisen irtikytkennän sähköverkosta ylijänniteluokan III ehtojen mukaisesti.


 Kaluste on asennettava valmistajan ohjeiden mukaisesti, ja asennustyö on annettava pätevän sähköasentajan tehtäväksi. Asennuksessa on noudatettava asennusmaan sähköjärjestelmiä koskevia säädöksiä.

 Kalusteen vääränlainen asennus voi aiheuttaa henkilö-, eläin- tai omaisuusvahinkoja, joista valmistaja ei ole vastuussa.


 Jos virtajohto vahingoittuu, valtuutetun huoltohenkilöstön on vaihdettava se uuteen. Älä yritä korjata virtajohtoa.


 Älä kytke vahingoittunutta virtajohtoa sähköverkkoon. Epävarmoissa tilanteissa ota yhteyttä tuotetukipalveluihin tai laitteen jälleenmyyjään.


 Varmista, että asennettu kaluste ei lepää virtajohtojen päällä.


 Liitântään ei saa missään tapauksessa käyttää muuntajaliittimiä, jatkojohtoja, adaptoreita tai haaroituspistorasioita. Liitântä on siis tehtävä SUORAAN sähköverkkoon.


2.5 Kiellot


 Kalusteessa ei saa käyttää muita kuin kalusteen valmistajan toimittamia laitteita sulatusprosessin nopeuttamiseen.

 Ainoastaan pätevä henkilöstö saa irrottaa sähköpaneelin suojuksen tai avata paneeleja, jotka edellyttävät työkalujen käyttöä.


 Kalustetta ei saa käyttää räjähtävien, syttyvien tai syövyttävien aineiden säilytykseen ja/tai näytteillepanoon. Tällaisia ovat esimerkiksi syttyviä ponneaineita sisältävät aerosolipullot.


 Kalustetta ei saa käyttää lääketuotteiden säilytykseen ja/tai näytteillepanoon.


 Kalustetta ei saa käyttää pullojen ja/tai lasisten pakkausten säilytykseen ja/tai näytteillepanoon, JOS TUOTTEET EIVÄT OLE PAKATTUJA TAI MATALASSA LÄMPÖTILASSA SÄILYTETTÄVIÄ.

 Kalustetta ei saa sijoittaa alueille, joilla on räjähdysriskiä kaasuja.

Model - Malli - Modell Modell - Model	GINGER - VANILLA	COSTAN eptarefrigeration
Manufacturer - Valmistaja - Tillverkare Produsent - Fabrikant	Epta Spa - Via Mecenate, 86 - 20138 Milano (MI) ITALIA Tel. 02/55403211 Telefax 02/55401023	7/26

 Tunnistekilpeä ei saa irrottaa kalusteesta.

 Tasolle tai tason reunuksen päälle ei saa kiivetä.

 Kalusteen osia ei saa vaihtaa eikä kalusteeseen saa tehdä muutoksia muuten kuin valmistajan määrittämällä tavalla. Kalusteen alkuperäisosia ei saa korvata muilla kuin valmistajan hyväksymillä osilla. Näiden ehtojen laiminlyönti voi johtaa takuun raukeamiseen.

EN

FI

SV

NN

DA

Model - Malli - Modell Modell - Model	GINGER - VANILLA	COSTAN eptarefrigeration
Manufacturer - Valmistaja - Tillverkare Produsent - Fabrikant	Epta Spa - Via Mecenate, 86 - 20138 Milano (MI) ITALIA Tel. 02/55403211 Telefax 02/55401023	8/26

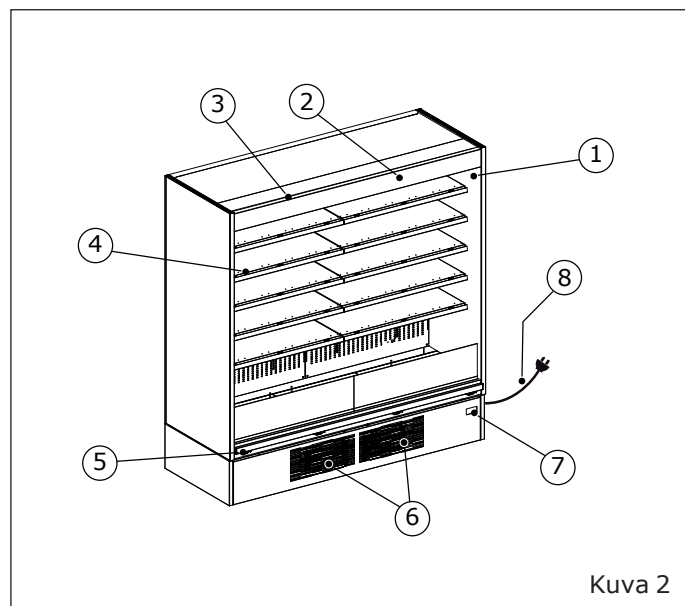
User manual

EN

3. YLEISKUVAUS

FI

Avokaluste



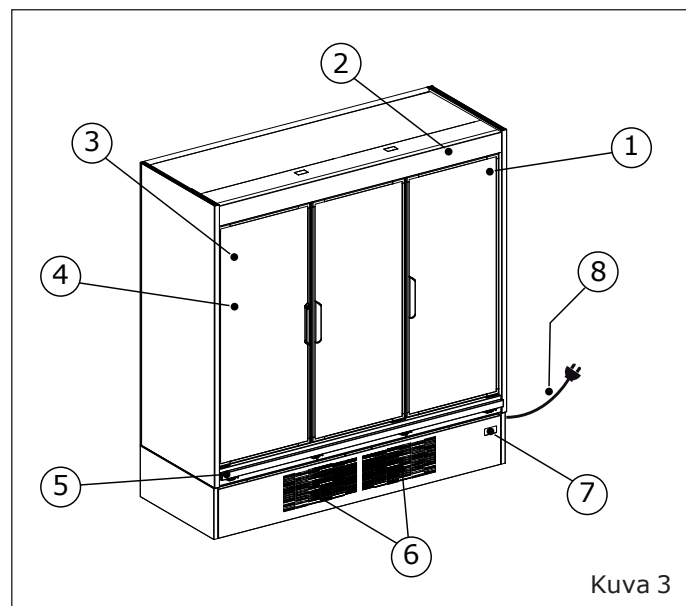
1. Arvokilpi
2. Ylävalaistus
3. Yöverho (pakollinen)
4. Hyllyvalaistus
5. Reunakisko
6. Lauhdutinalue
7. Ohjauspaneeli
8. Virtajohto

SV

NN

DA

Suljettu



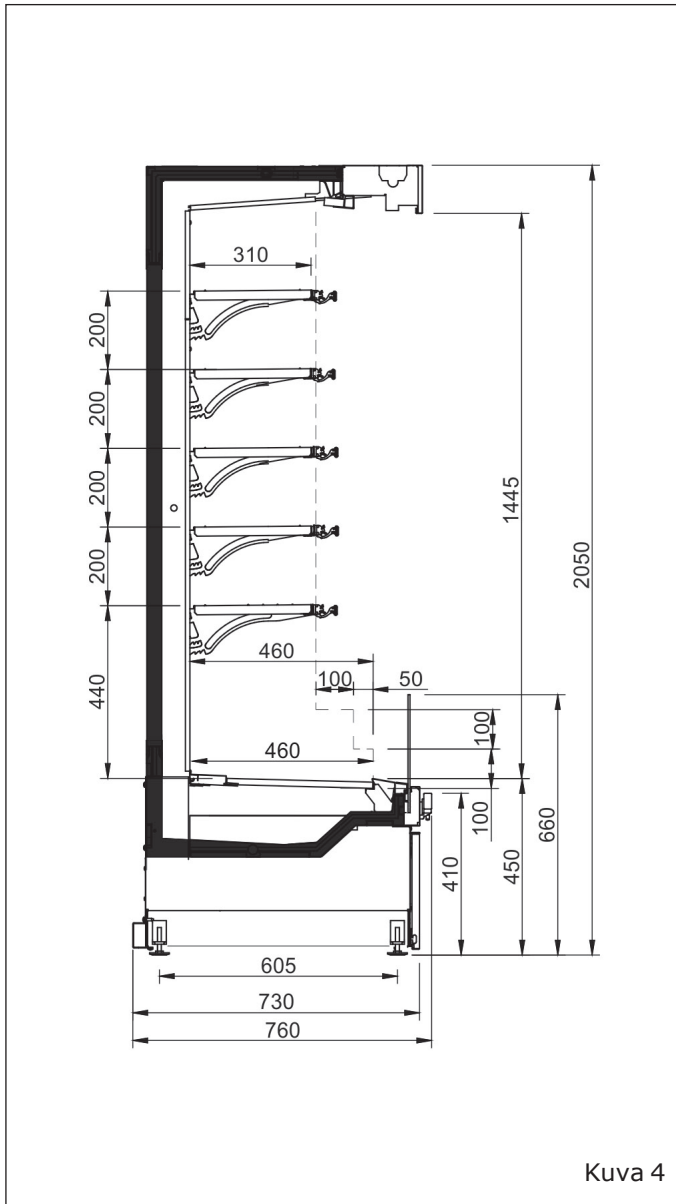
1. Arvokilpi
2. Ylävalaistus
3. Lasiovet
4. Hyllyvalaistus
5. Reunakisko
6. Lauhdutinalue
7. Ohjauspaneeli
8. Virtajohto

Model - Malli - Modell Modell - Model	<h1>GINGER - VANILLA</h1>	
Manufacturer - Valmistaja - Tillverkare Produsent - Fabrikant	Epta Spa - Via Mecenate, 86 - 20138 Milano (MI) ITALIA Tel. 02/55403211 Telefax 02/55401023	9/26

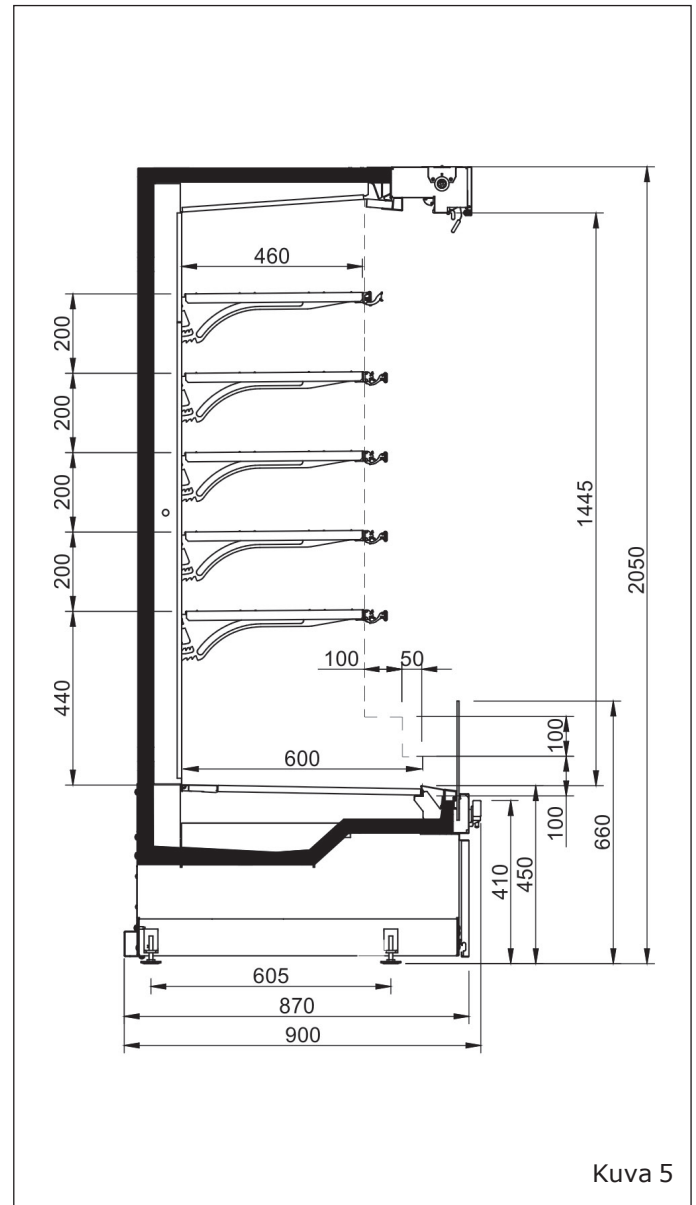
3.1 Osiot

Avokaluste

COMPACT



NARROW



EN

FI

SV

NN

DA

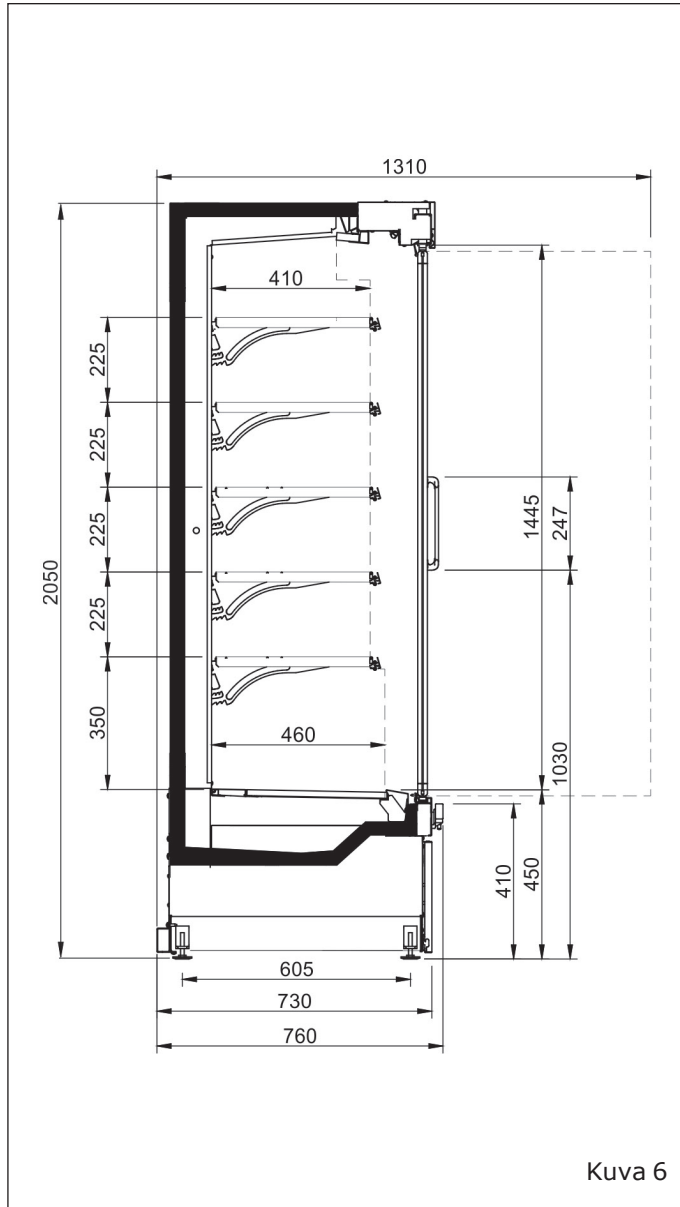
Model - Malli - Modell Modell - Model	<h1>GINGER - VANILLA</h1>	
Manufacturer - Valmistaja - Tillverkare Produsent - Fabrikant	Epta Spa - Via Mecenate, 86 - 20138 Milano (MI) ITALIA Tel. 02/55403211 Telefax 02/55401023	10/26

User manual

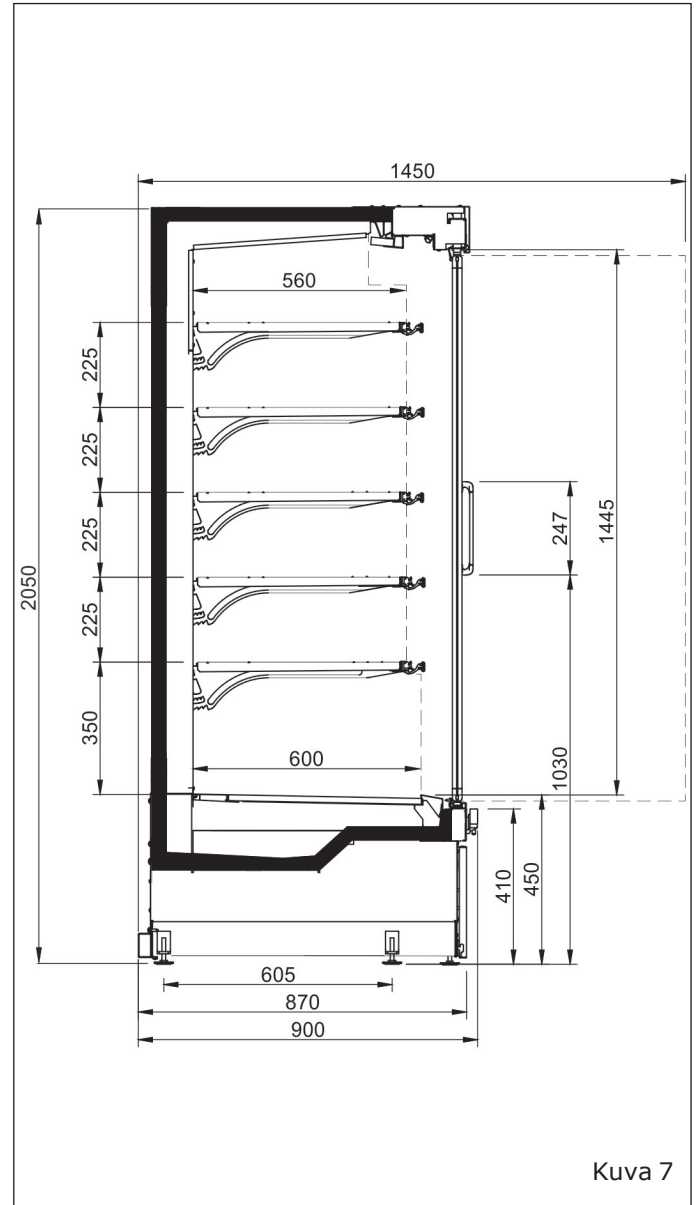
- EN
- FI
- SV
- NN
- DA

Suljettu

COMPACT

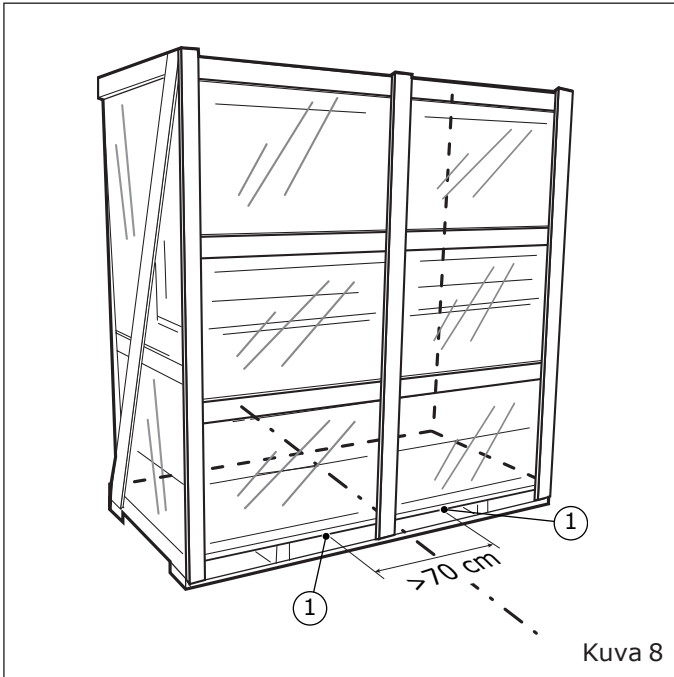


NARROW



Model - Malli - Modell Modell - Model	GINGER - VANILLA	COSTAN eptarefrigeration
Manufacturer - Valmistaja - Tillverkare Produsent - Fabrikant	Epta Spa - Via Mecenate, 86 - 20138 Milano (MI) ITALIA Tel. 02/55403211 Telefax 02/55401023	11/26

4. KALUSTEEN KULJETUS



1. Nostokohdat

Kaavio I

Avokaluste

Korkeus	Syvyys	Pituus	Paino (kg)	Paino pakkauksen kanssa (kg)
2000	Compact	937	220	240
		1250	250	270
		1875	270	290
		2500	410	430
	Narrow	937	270	290
		1250	290	310
		1875	430	450
		2500	490	510

Suljettu

Korkeus	Syvyys	Pituus	Paino (kg)	Paino pakkauksen kanssa (kg)
2000	Compact	937	250	270
		1250	270	290
		1875	410	430
		2500	450	470
	Narrow	937	280	300
		1250	300	320
		1875	440	460
		2500	500	520

Model - Malli - Modell Modell - Model	GINGER - VANILLA	COSTAN eptarefrigeration
Manufacturer - Valmistaja - Tillverkare Produsent - Fabrikant	Epta Spa - Via Mecenate, 86 - 20138 Milano (MI) ITALIA Tel. 02/55403211 Telefax 02/55401023	12/26

User manual

EN

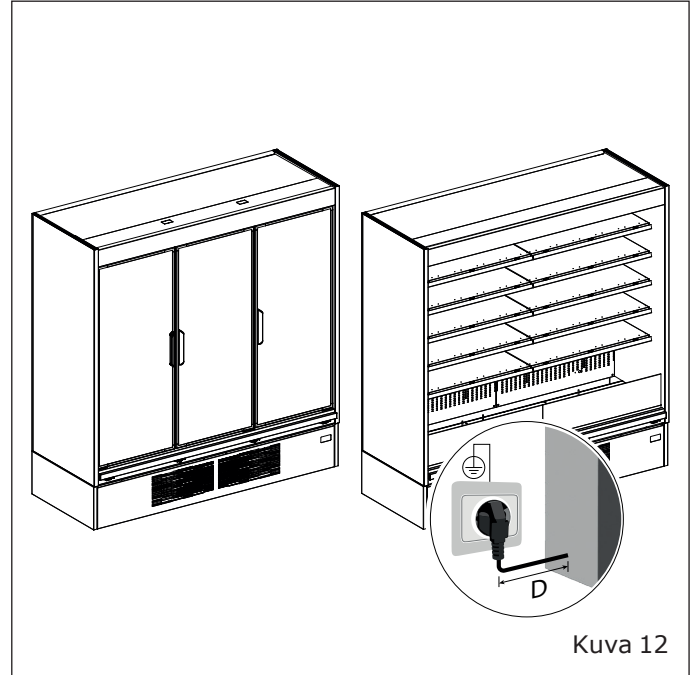
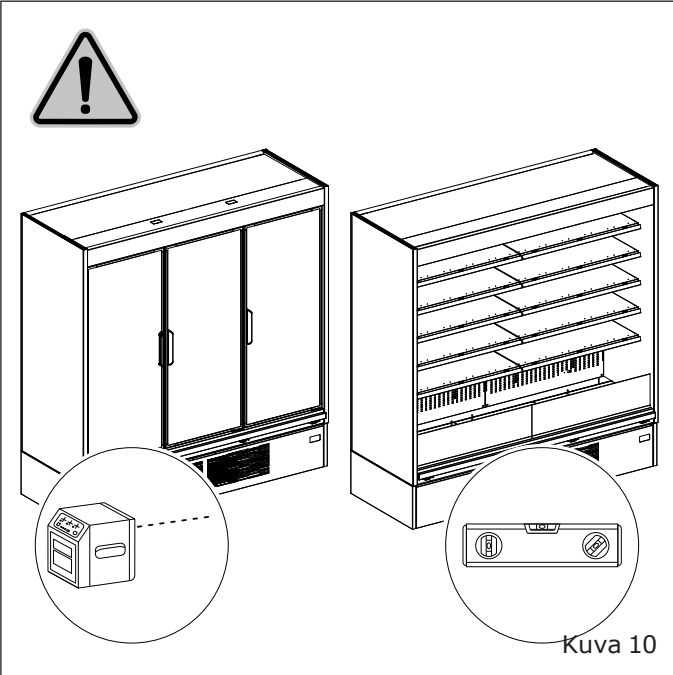
FI

SV

NN

DA

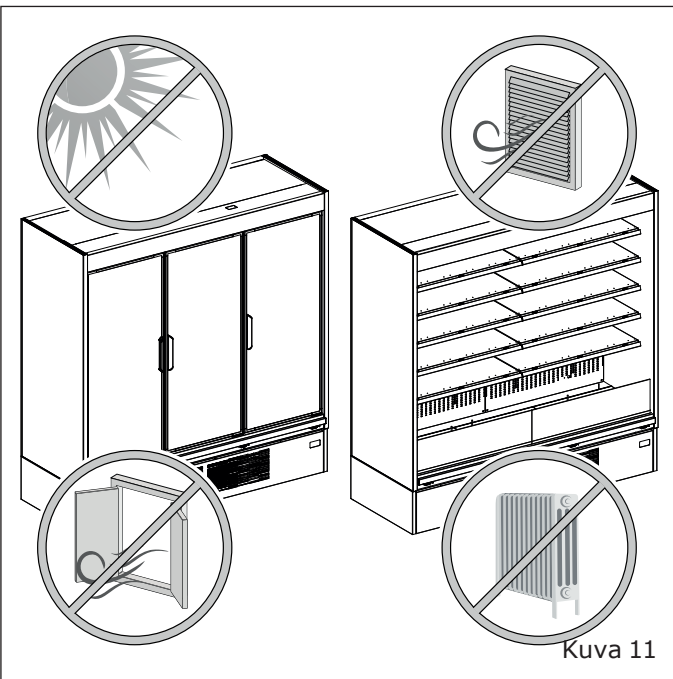
5. YMPÄRISTÖOLOSUHTEET



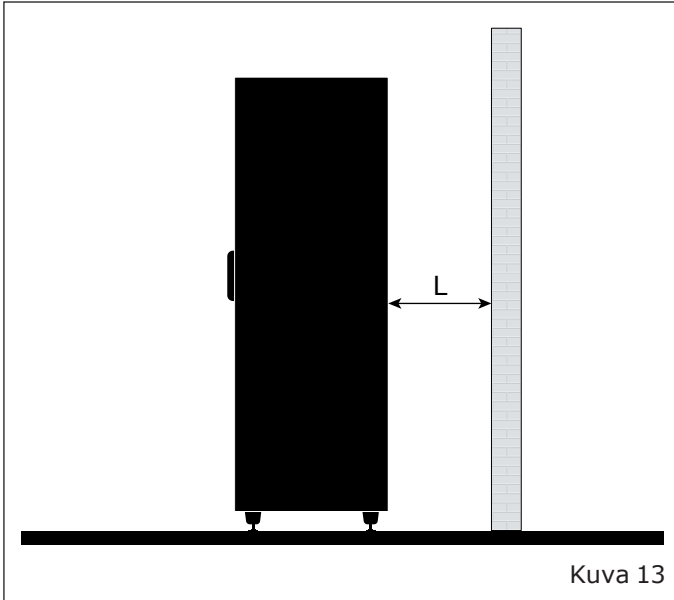
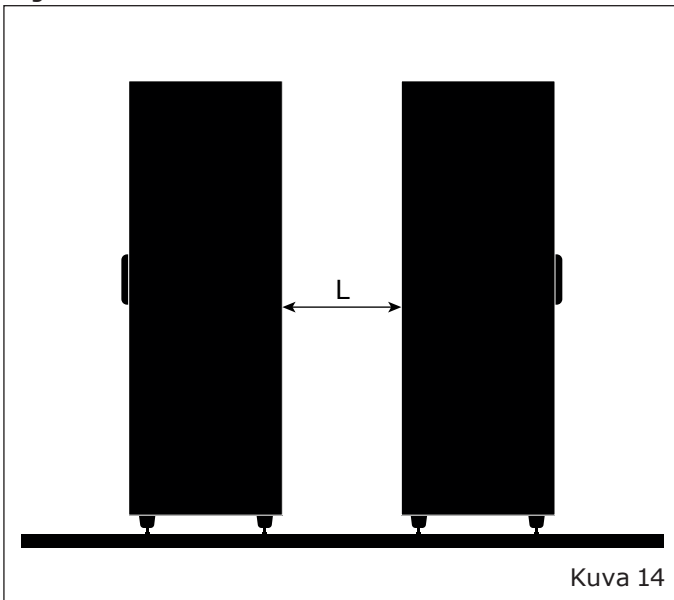
D=1,5m

Kaavio II

Ominaisuudet	
Käyttöpaikan tyyppi	Suljettu
Lämpötila	25°C
Suhteellinen kosteus	60 %
Valaistus	600 lx



Model - Malli - Modell Modell - Model	GINGER - VANILLA	COSTAN eptarefrigeration
Manufacturer - Valmistaja - Tillverkare Produsent - Fabrikant	Epta Spa - Via Mecenate, 86 - 20138 Milano (MI) ITALIA Tel. 02/55403211 Telefax 02/55401023	13/26

Sijoitus seinää vasten
 $L \geq 100\text{mm}$
Sijoitus selkä selkää vasten
 $L \geq 200\text{mm}$

EN

FI

SV










NN

DA

Model - Malli - Modell Modell - Model	GINGER - VANILLA	COSTAN eptarefrigeration
Manufacturer - Valmistaja - Tillverkare Produsent - Fabrikant	Epta Spa - Via Mecenate, 86 - 20138 Milano (MI) ITALIA Tel. 02/55403211 Telefax 02/55401023	14/26

User manual

6. TEKNISET TIEDOT

 <small>EPTA S.p.A. Via Mecenate, 86 20138 Milano - Italy</small>		<div style="border: 1px dashed black; padding: 5px;"> 12 </div>			
<div style="border: 1px dashed black; padding: 5px;"> 1 2 </div>		<div style="border: 1px dashed black; padding: 5px;"> SN 13 REF 15  14  16 </div>			
<small>RATED BEMESSUNG ASSIGNÉ NOMINALE NOMINAL</small>	<div style="border: 1px dashed black; padding: 5px;"> 3 </div>	<div style="border: 1px dashed black; padding: 5px;"> 4 </div>	<small>REFRIGERANT KÄLTEMITTEL RÉFRIGÉRANT REFRIGERANTE REFRIGERANTE</small>	<div style="border: 1px dashed black; padding: 5px;"> 17 </div>	<div style="border: 1px dashed black; padding: 5px;"> 18 </div>
<small>DEFROSTING ABTAUUNG DÉGIVRAGE SBRINAMENTO DESCONGELAMIENTO</small>	<div style="border: 1px dashed black; padding: 5px;"> 7 </div>	<div style="border: 1px dashed black; padding: 5px;"> 6 </div>	<small>CLIMATIC CLASS KLIMAKLASSE CLASSE CLIMATIQUE CLASSE CLIMATICA CLASE CLIMÁTICA</small>	<div style="border: 1px dashed black; padding: 5px;"> 21 </div>	
<small>HEATING SYSTEMS HEIZUNGSSYSTEME SYSTEMES CHAUFFANTS SISTEMI DI RISCALDAMENTO SISTEMA DE CALEFACCIÓN</small>	<div style="border: 1px dashed black; padding: 5px;"> 9 </div>		<small>INSULATION BLOWING GAS ISOLATIONS GAS (BLÄHGAS) AGENT MOUSSANT D'ISOLATION GAS ESPUMANTE AGENTE ESPUMANTE</small>	<div style="border: 1px dashed black; padding: 5px;"> 22 </div>	
	<div style="border: 1px dashed black; padding: 5px;"> 10 </div>		<small>PROTECTION INDEX SCHÜTZART INDEX DE LA PROTECTION INDICE DI PROTEZIONE ÍNDICE DE PROTECCIÓN</small>	<div style="border: 1px dashed black; padding: 5px;"> 23 </div>	
	<small>Read Operator's Manual available at www.eptarefrigeration.com or calling: +39 0437 968379</small>			<div style="border: 1px dashed black; padding: 5px;"> 24 </div>	  

Kuva 15

- | | |
|---|--|
| <ol style="list-style-type: none"> 1. Tuotteen alkuperä 2. Tuote alkuperämaassa 3. Nimellisjännite 4. Nimellisteho 5. Nimellistaajuus 6. Nimellisvirta 7. Sulatusteho 8. Sulatusvirta 9. Lämmitysjärjestelmä 10. Valaistusjärjestelmä 11. Käyttöohje 12. Viivakoodi | <ol style="list-style-type: none"> 13. Sarjanumero 14. Valmistuspäivämäärä 15. Hat-koodi 16. Malli 17. Kylmäainetyyppi 1 18. Kylmäainemassa 1 19. Kylmäainetyyppi 2 20. Kylmäainemassa 2 21. Ilmastoluokka 22. Kaasun eristys 23. Suojausindeksi 24. Sertifiointit |
|---|--|



Varoitus: sisältää syttyvää kylmäainekaasua.

Model - Malli - Modell Modell - Model	GINGER - VANILLA	COSTAN <small>eptarefrigeration</small>
Manufacturer - Valmistaja - Tillverkare Produsent - Fabrikant	Epta Spa - Via Mecenate, 86 - 20138 Milano (MI) ITALIA Tel. 02/55403211 Telefax 02/55401023	15/26

Kaavio III

Avokaluste

Kylmäainemäärä R290(g)			
Syvyys	Malli	Piiri A	Piiri B
Compact	937	120	-
	1250	145	-
	1875	125	125
	2500	150	150
Narrow	937	120	-
	1250	145	-
	1875	125	125
	2500	150	150

Suljettu

Kylmäainemäärä R290(g)			
Syvyys	Malli	Piiri A	Piiri B
Compact	937	140	-
	1250	140	-
	1875	140	-
	2500	150	-
Narrow	937	140	-
	1250	140	-
	1875	140	-
	2500	150	-

EN

FI

SV

NN

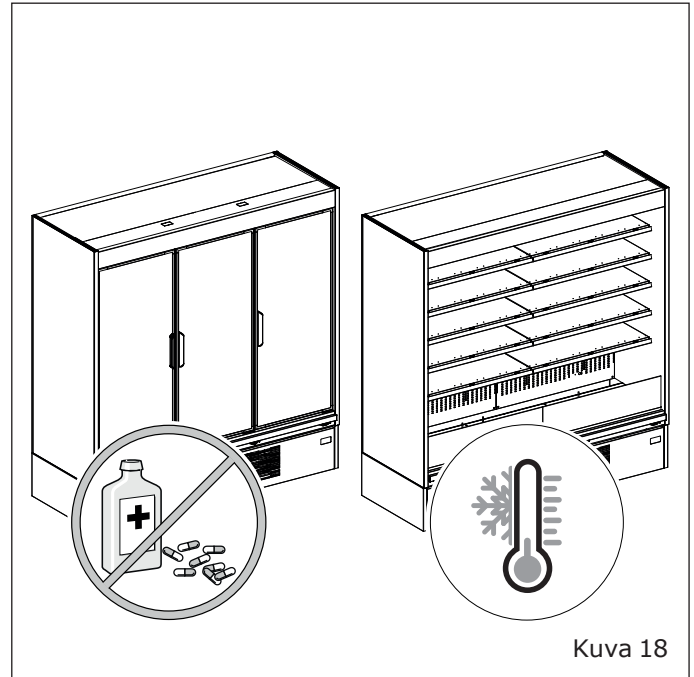
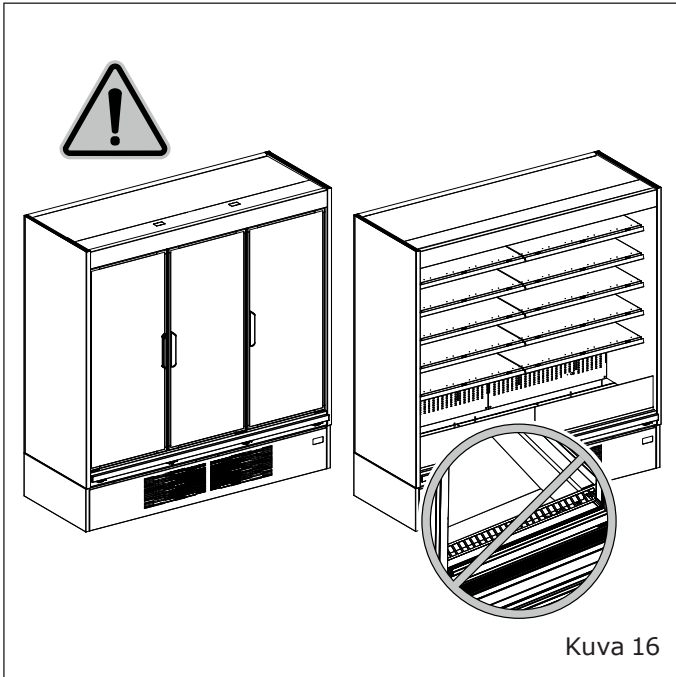
DA


Model - Malli - Modell Modell - Model	GINGER - VANILLA	COSTAN eptarefrigeration
Manufacturer - Valmistaja - Tillverkare Produsent - Fabrikant	Epta Spa - Via Mecenate, 86 - 20138 Milano (MI) ITALIA Tel. 02/55403211 Telefax 02/55401023	16/26

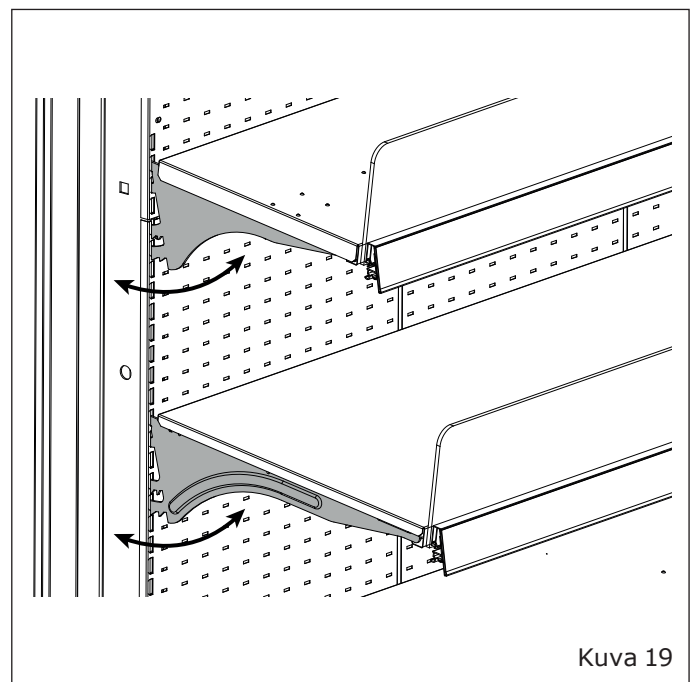
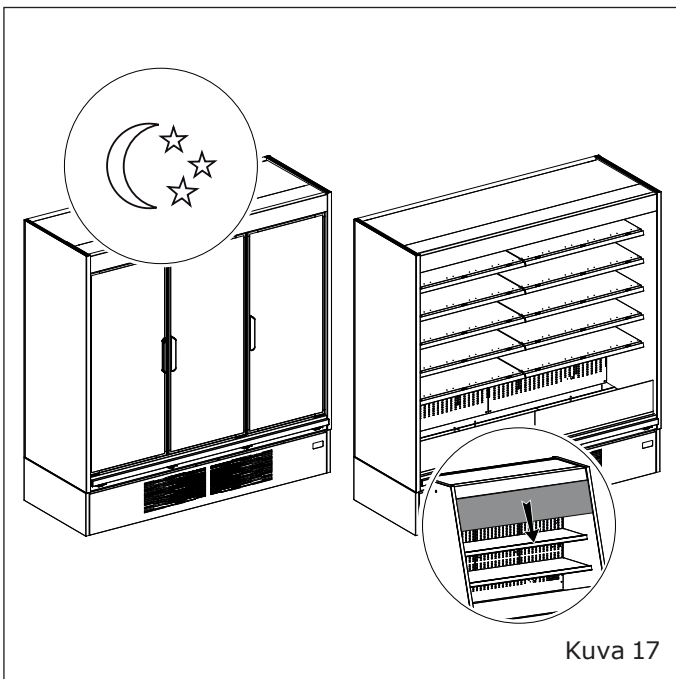
User manual

7. KALUSTEEN KÄYTTÖ

EN
FI
SV
NN
DA

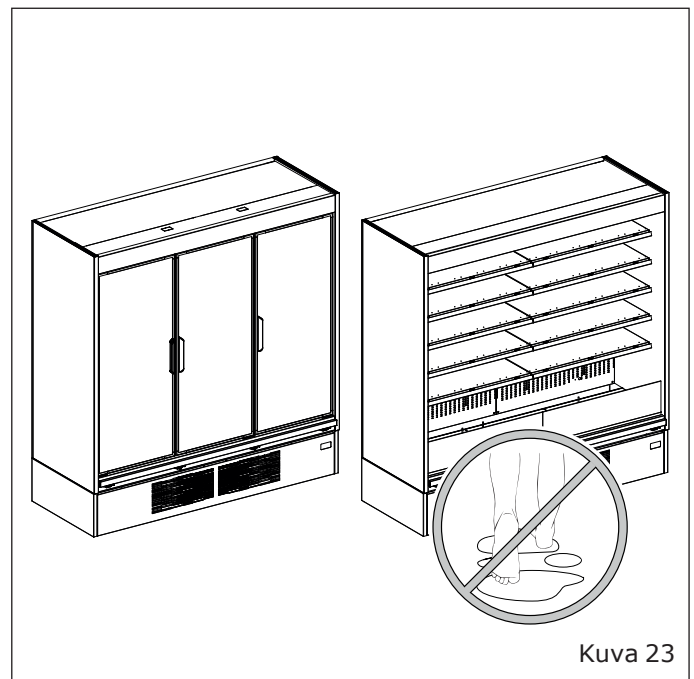
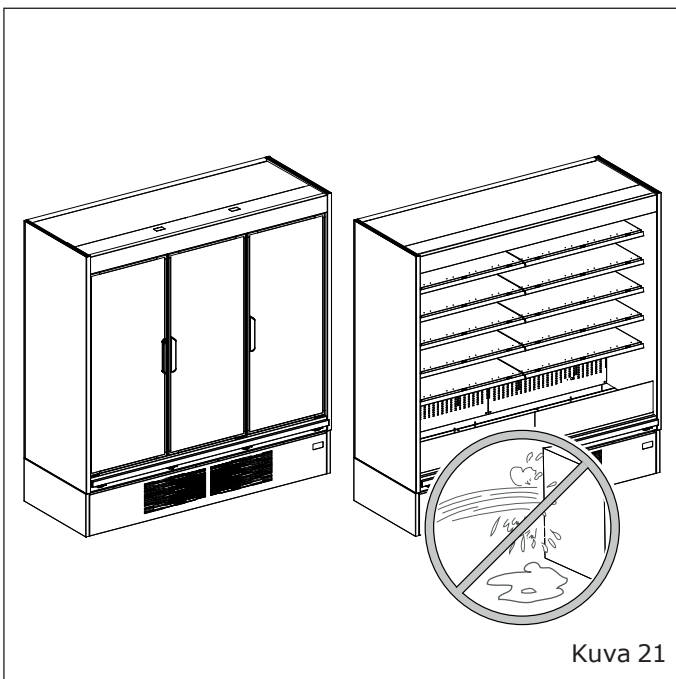
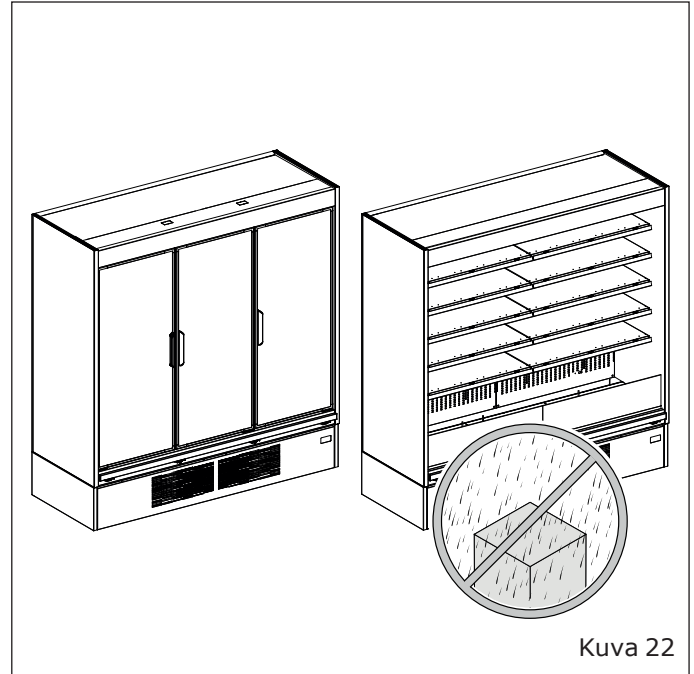
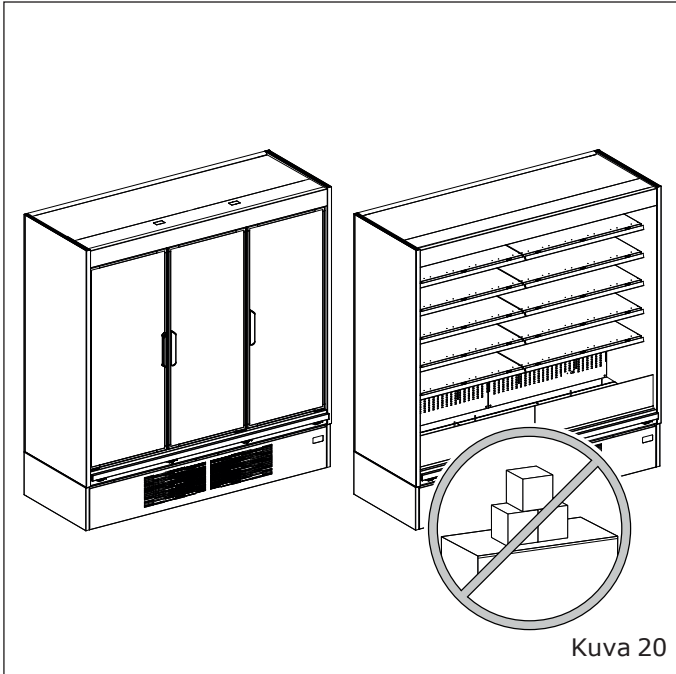


 Ei saa peittää



Hyllyjen kaltevuus: 0° - 7° - 14° - 21°

Model - Malli - Modell Modell - Model	<h1>GINGER - VANILLA</h1>	
Manufacturer - Valmistaja - Tillverkare Produsent - Fabrikant	Epta Spa - Via Mecenate, 86 - 20138 Milano (MI) ITALIA Tel. 02/55403211 Telefax 02/55401023	17/26



EN

FI

SV

NN

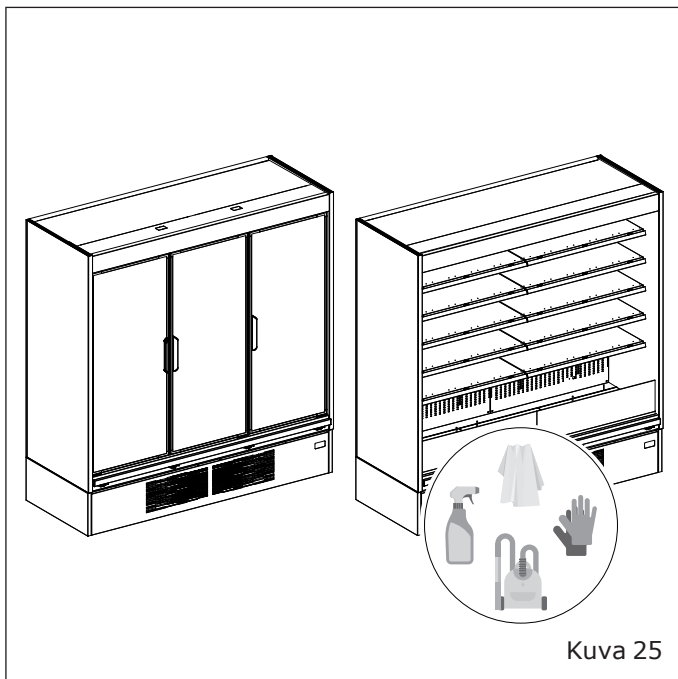
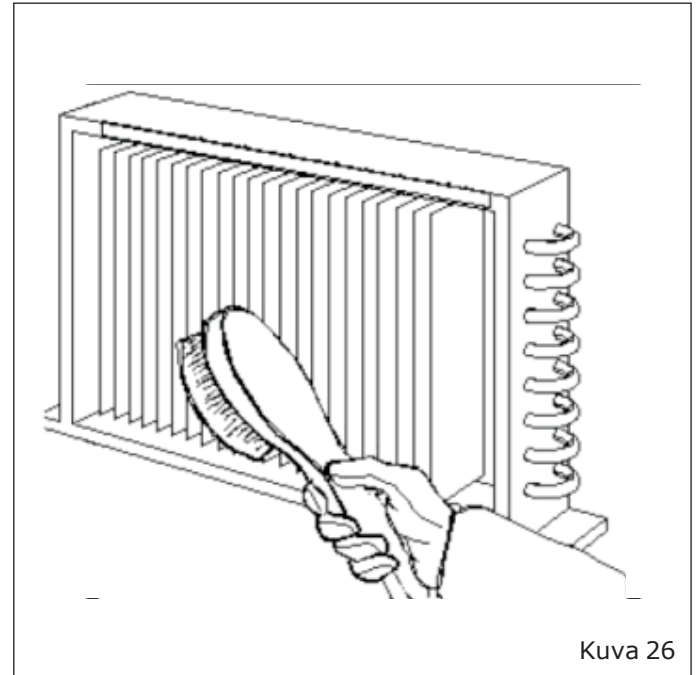
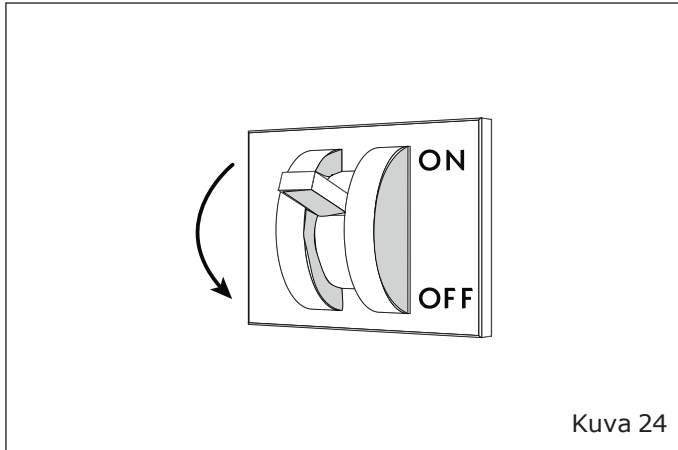
DA

Model - Malli - Modell Modell - Model	GINGER - VANILLA	COSTAN eptarefrigeration
Manufacturer - Valmistaja - Tillverkare Produsent - Fabrikant	Epta Spa - Via Mecenate, 86 - 20138 Milano (MI) ITALIA Tel. 02/55403211 Telefax 02/55401023	18/26

User manual

8. TAVANOMAINEN KUNNOSSAPITO

8.1 Kalusteen puhdistus



Model - Malli - Modell Modell - Model	GINGER - VANILLA	COSTAN eptarefrigeration
Manufacturer - Valmistaja - Tillverkare Produsent - Fabrikant	Epta Spa - Via Mecenate, 86 - 20138 Milano (MI) ITALIA Tel. 02/55403211 Telefax 02/55401023	19/26

9. HYLlyJEN KOKOONPANO

Kaavio IV

Yhden syvyyden hyllykokoontapano	
COMPACT	NARROW
N x 310	N x 310
N x 360	N x 360
-	N x 410
-	N x 460

N = Hyllytasojen määrä

EN

FI

SV

NN

DA

Model - Malli - Modell Modell - Model	GINGER - VANILLA	COSTAN eptarefrigeration
Manufacturer - Valmistaja - Tillverkare Produsent - Fabrikant	Epta Spa - Via Mecenate, 86 - 20138 Milano (MI) ITALIA Tel. 02/55403211 Telefax 02/55401023	20/26

10. KÄYTTÖMERKINNÄT

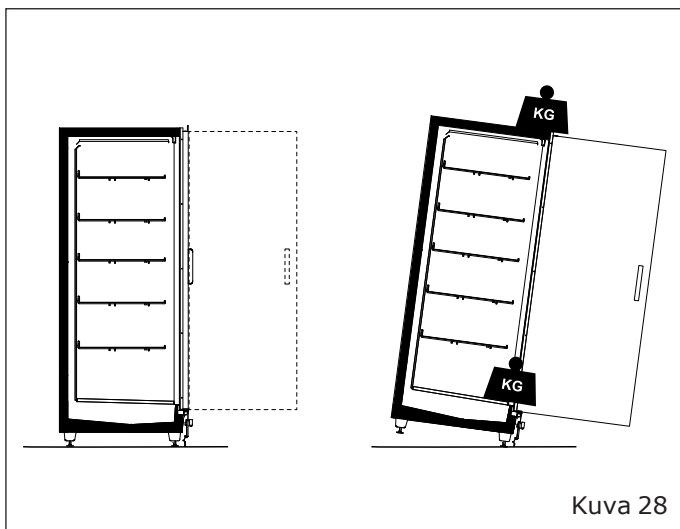
10.1 Kalusteen kuvaus

Tämä lasikko on suunniteltu ja valmistettu erityisesti tuorepakattujen ruokien, juomien ja meijerituotteiden näytteillepanoa varten.

LÄMPÖTILALUOKKA (EN ISO 23953-2 -standardin mukaan):
- Avokaluste 3M1
- Suljettu 3M0

Yleiset ominaisuudet ja mitat on esitetty kuvissa ja luvussa: "Yleiskuvaus" (sivulta "8-.10").

Huomaa kalusteen kaatumisriski kuljetuksen ja käsittelyn, vastaanottamisen ja varastoinnin, asennuksen, kuormauksen, käytön, puhdistuksen ja kunnossapidon sekä purkamisen yhteydessä. ("Kuva 28").



Kuva 28

10.2 Kuljetus ja käsittely

Kaluste toimitetaan erityisvalmisteisessa pakkauksessa, jossa on haarukkanostimella nostettava kuormalava.

Käytä seuraavia välineitä kalusteen kuljetukseen ja käsittelyyn:

- tuotteen oma kuormalava tai vastaava
- käsi- tai sähkökäyttöinen haarukkanostin, joka soveltuu kalusteen nostamiseen voimassa olevien standardien mukaisesti.

Kalusteen paino (tyhjänä ja pakkauksen kanssa) ja pakkauksen mitat on ilmoitettu kohdassa: "Kalusteen kuljetus" (kaavio "Kaavio I" ja kuvat sivulla "11").

Käsittelytoimenpiteitä saa tehdä vain pätevä henkilöstö, joka osaa arvioida painot, nostokohtat ja sopivimmat työskentelytavat turvallisuuden sekä kapasiteetin osalta.

10.3 Vastaanottaminen ja varastointi

Tarkasta pakkauksen kunto ennen kuin hyväksyt toimituksen rahdinkuljettajalta. Jos pakkauksessa on selkeitä vaurioita:

- Poista kalusteen pakkaus rahdinkuljettajan ollessa paikalla.
- Allekirjoita rahtikirja varauksella

Valmistaja ei ole vastuussa mistään vahingoista, jotka johtuvat kalusteen kuljetuksesta tai vääränlaisesta varastoinnista.

Kaluste on säilytettävä suojassa auringolta ja sääolosuhteilta. Säilytyspaikan lämpötilan on oltava -25°C–+55°C ja suhteellisen kosteuden 30%–95%.

Model - Malli - Modell Modell - Model	GINGER - VANILLA	
Manufacturer - Valmistaja - Tillverkare Produsent - Fabrikant	Epta Spa - Via Mecenate, 86 - 20138 Milano (MI) ITALIA Tel. 02/55403211 Telefax 02/55401023	21/26

10.4 Asennus ja ympäristöolosuhteet

Kalustetta on ei ole suunniteltu asennettavaksi ulkotiloihin.

Jotta kaluste toimii oikein, varmista, että se on sijoitettu seuraavasti:

- tasaiselle lattialle ("Kuva 10").
- etäälle lämmönlähteistä, suorasta auringonvalosta, ovista, ikkunoista, tuulettimista ja ilmanvaihtoaukoista. ("Kuva 11").

Varmista, että asiakkailta on riittävästi tilaa kalusteen käyttämiseen.

Kalusteen asianmukaiset ympäristöolosuhteet on esitetty kohdassa: "Ympäristöolosuhteet" (kaavio "Kaavio II", Pag."12").

10.5 Sähkökytkentä

Omnipolaarinen katkaisin on asennettava kalusteen vastasuuntaan. Katkaisimessa on oltava:

- kontaktien vähimmäisetäisyys 3 mm
- riittävä kytkentäteho.

Katkaisin on sijoitettava paikkaan, jossa sen käyttäminen on helppoa hätätilanteissa (enimmäisetäisyys 3 m).

Varmista ennen kalusteen kytkentää, että verkkojännite vastaa kalusteen arvokilpeen merkittyä jännitettä. Vakaan toiminnan varmistamiseksi jännitteen vaihtelu saa olla enintään +/- 6% nimellisarvosta.

10.6 Tekniset tiedot

Kalusteen tekniset tiedot on merkitty tunnistekilpeen. Tunnistekilven paikka ja tyyppi on esitetty kohdassa: "Tekniset tiedot" ("Kuva 15").

Johdotuskaaviot, ohjauslaitteiden kalibrointiluettelot, asennusohjeet ja vaatimustenmukaisuusvakuutus ovat saatavilla verkkosivustolta <https://documents.eptarefrigeration.com>.

Kalusteen tuottama äänenpainetaso on alle 70 dB(A). Kaluste ei aiheuta haitallista tärinää.

10.7 Kalusteen täyttäminen

Käynnistä kalusteen jäähdytysjakso kytkemällä sen virta päälle seinään asennetusta katkaisimesta. Kaluste voidaan täyttää noin 2 tunnin kuluttua.

Kaluste pystyy ainoastaan ylläpitämään tuotteiden lämpötilan, ei viilentämään sitä entisestään. Lisää siksi kalusteeseen vain ruokia, jotka on jo jäähdytetty niiden säilytyslämpötilaan. Kalusteeseen ei saa koskaan lisätä lämmitettyjä tuotteita.

Jos kalusteessa on lasiovet, täyttäminen on suositeltavaa tehdä silloin, kun myymäläalueella ei ole asiakkaita.

Kun täytät kalustetta, varmista seuraavat:

- tuotteiden mitat ja ominaisuudet ovat yhdenmukaisia.
- tuotteet eivät estä jäähdytetyn ilman virtausta kalusteessa ("Kuva 16")
- tuotteet eivät ylitä täyttörajaa.

Suurin sallittu täyttömäärä tasaisesti jakautuneena:

- Alatasolla: 225 kg/m²
- Hyllyillä: 140 kg/m²

Model - Malli - Modell Modell - Model	GINGER - VANILLA	COSTAN eptarefrigeration
Manufacturer - Valmistaja - Tillverkare Produsent - Fabrikant	Epta Spa - Via Mecenate, 86 - 20138 Milano (MI) ITALIA Tel. 02/55403211 Telefax 02/55401023	22/26

10.8 Kalusteen käyttö

Termostaatti/lämpömittari

Termostaatti/lämpömittari lämpötilan säätelyä varten sijaitsee kalusteen oikeassa alareunassa (kuva 2). ("Kuva 2", "Kuva 3").

Termostaatti näyttää kalusteen nykyisen sisälämpötilan, jota voidaan säätää painikkeilla.

Näytteillepanohyllyjen kokoonpano ja kallistus

Jotta kaluste toimii oikealla tavalla, hyllyt on järjesteltävä kalusteen sisään tässä kuvatulla tavalla. (kaavio "Kaavio IV- .19").

Muuttamalla hyllyjen kiinnityspaikkaa tason oikeaa yläreunaa vasten saadaan 4 eri kallistuskulmaa ("Kuva 19").



Yöpeitteiden tai yöverhojen (jos asennettu) käyttäminen myymälän ollessa suljettu. ("Kuva 17").

10.9 Puhdistaminen ja tavano- mainen kunnossapito

Puhdistusalueelle voidaan lisätä valoja tarvittaessa hyvän näkyvyyden varmistamiseksi.

Kalusteen puhdistus

Käytä puhdistukseen vettä, jonka lämpötila on enintään 0|vv, ja tavallista saippuaa tai vedellä laimennettua puhdistusainetta.

Älä koskaan käytä seuraavia:

- hankaavat pesusienet
- syttyvät tai pintaa kuluttavat tuotteet, kuten alkoholi, aseton ja liuottimet
- pesuaineet, jotka sisältävät ionittomia pinta-aktiivisia aineita, sitruunaa tai etikkaa (etikkahappoa).



Älä pese tai puhdistu kalusteen yläosaa vedellä tai muilla nesteillä.

Puhdistu kalusteen kaikki ulkoiset osat **KERRAN VIIKOSSA**.

Puhdistu kalusteen kaikki sisäiset osat **KERRAN KUUKAUDESSA** seuraavien ohjeiden mukaisesti:

- Katkaise kalusteen virransyöttö seinään asennetulla pääkatkaisimella. ("Kuva 24").
- Tyhjennä kaluste tuotteista ja varastoi tuotteet kylmätiloihin tai jääkaappeihin, jotta ne pysyvät viileinä.
- Odota, että kalusteen sisätilat ovat lämmentyneet huonelämpötilaan, ja aloita sitten puhdistaminen
- Tarkasta huolellisesti, että kalusteen sisätilat ovat täysin kuivat, ja käynnistä sitten laite uudelleen kytkemällä se verkkovirtaan.
- Odota muutama tunti ja täytä kaluste uudelleen tuotteilla.

Model - Malli - Modell Modell - Model	GINGER - VANILLA	COSTAN eptarefrigeration
Manufacturer - Valmistaja - Tillverkare Produsent - Fabrikant	Epta Spa - Via Mecenate, 86 - 20138 Milano (MI) ITALIA Tel. 02/55403211 Telefax 02/55401023	23/26

Kun poistat kalusteen käytöstä, katkaise sen virransyöttö ja noudata edellä kuvattuja vaiheita. Jos kalusteessa on ovet, jätä ne auki, jotta ilma pääsee vaihtumaan eikä kalusteeseen muodostu epämiellyttävää hajua.

Sulata kaluste **KOLMEN KUUKAUDEN VÄLEIN**, jotta höyrystimen lamelleihin muodostunut jää pääsee sulamaan eikä haittaa laitteen toimintaa. Sulatustoiminnon kesto on määritetty tehtaalla. Ainoastaan tekninen tukihenkilöstö saa tehdä muutoksia asetukseen. Sulatusvesi kerätään sulatuskanavan kautta haihdutusastiaan, joka sijaitsee kalusteen pohjassa. Tarkasta säännöllisesti, että sulatusveden poisto toimii oikein. Tutki mahdolliset ongelmat välittömästi käyttämällä taipuisaa typpäpäistä koetinta.

Puhdista sisäiset osat **KUUKAUSITTAIN** ohjeiden mukaisesti. Huomaa kuitenkin, että sulatus voi kestää tavallista kauemmin.

Puhdista lauhdutinyksikkö pölystä ja liasta karkealla teräsharjalla vähintään 30 päivän välein.

Lika heikentää lauhdutinyksikön jäähdytystehoa, mikä aiheuttaa energiahukkaa ja alentaa laitteen suorituskykyä. Käytä suojakäsineitä, kun puhdistat lauhdutinyksikköä.



Vain ovellinen malli

Lauhdutin on itsepuhdistuva malli, joka ei tarvitse säännöllistä kunnossapitoa. Turvallisuuden varmistamiseksi lauhdutin on kuitenkin puhdistettava **KAHDEN VUODEN VÄLEIN** puhaltamalla ilmaa paineilmapuhaltimen kautta likajäämien ja kertyneen pölyn poistamiseksi ("Kuva 27").

10.10 Häätätilanteet

Jos kaluste ei käynnisty tai sammuu:

- Tarkasta, että sähköverkossa ei ole katkosta.
- Tarkasta, että seinään asennettu pääkatkaisin on päällä.
- Tarkasta, että kalusteen virtapistoke on kytketty pistorasiaan.

Jos virtakatkos ei johdu näistä seikoista, ota yhteyttä lähimpään valtuutettuun huoltokeskukseen ja tyhjennä kaluste tuotteista. Varastoi tuotteet välittömästi kylmätiloihin tai jääkaappeihin, jotta ne pysyvät viileinä.

Jos kaluste ei viilene riittävästi:

- Tarkasta, että lauhdutinyksikkö on puhdas ja toimii lämmönvaihtimena. Puhdista yksikön lamellit huolellisesti, jos niissä on likaa.
- Tarkasta, että kaluste on täytetty oikein.
- Suorita kalusteen sulatus ja jatka sitten tavanomaista käyttöä, jos sulatusta ei ole tehty yli kolmeen kuukauteen.
- Tarkasta, että kalusteen lähellä ei ole lämmönlähteitä tai ilmavirtauksia.
- Tarkasta ympäristöolosuhteet. Ohjeartovot on annettu osiossa: "Ympäristöolosuhteet" ("Kaavio II", Pag."12").
- Tarkasta vesivaa'alla, että kaluste on suorassa.

Jos jäähdytysongelma ei ratkea, ota yhteyttä lähimpään valtuutettuun huoltokeskukseen.

EN

FI

SV

NN

DA

Model - Malli - Modell Modell - Model	GINGER - VANILLA	COSTAN eptarefrigeration
Manufacturer - Valmistaja - Tillverkare Produsent - Fabrikant	Epta Spa - Via Mecenate, 86 - 20138 Milano (MI) ITALIA Tel. 02/55403211 Telefax 02/55401023	24/26

User manual

EN

Jos kaluste on meluisa:

- Tarkasta, että ruuvit ja pultit on kiristetty kunnolla.
- Tarkasta vesivaa'alla, että kaluste on suorassa.

Jos ongelma ei ratkea, ota yhteyttä lähimpään valtuutettuun huoltokeskukseen.

FI

SV

NN

DA

10.11 Avustava tekninen henkilöstö

Jos tarvitset avustavaa teknistä henkilöstöä, ota yhteyttä kalusteen toimittajaan.

Jos kalusteeseen tarvitaan varaosia, ota aina yhteyttä tekniseen tukipalveluun ja varmista, että kalusteessa käytetään vain alkuperäisiä varaosia.

10.12 Purkaminen ja käytöstäpoisto

Erottele kalusteen osat, jotta ne voidaan hävittää tai kierrättää asianmukaisesti. Näin varmistetaan paikallisten jätelakien noudattaminen ja ympäristön huomioiminen. Kalusteen kaikki osat eivät ole yhdyskuntajätteen soveltuvia, lukuun ottamatta metalliosia, jotka eivät ole erikoisjätettä useimmissa Euroopan maissa.



Kylmäainejärjestelmässä on suuri paine. Ota yhteyttä asiantuntevaan tahoon ennen järjestelmän purkamista ja hävittämistä.

Kylmäainepiirin osia ei saa irrottaa ja/tai erottaa ennen kuin piirin paine on poistettu ja kylmäainekaasu on otettu talteen. Tämä on annettava pätevän henkilöstön tehtäväksi.

Model - Malli - Modell Modell - Model	GINGER - VANILLA	COSTAN eptarefrigeration
Manufacturer - Valmistaja - Tillverkare Produsent - Fabrikant	Epta Spa - Via Mecenate, 86 - 20138 Milano (MI) ITALIA Tel. 02/55403211 Telefax 02/55401023	25/26

11. TÄYDENTÄVIÄ YLEISIÄ VAROITUKSIA

Asennusta ja kunnossapitoa koskevat ohjeet

Käyttö- ja kunnossapito-ohjeet (Käyttöohje) ovat saatavilla verkkosivustolta: www.eptarefrigeration.com.

Asennusohjeet, jotka on tarkoitettu asiantuntevalle henkilöstölle, ovat saatavilla

- huoltoverkoston kautta
- paperimuodossa tiettyjen tuotteiden mukana.

Ammattimaiset korjauspalvelut

Näistä palveluista vastaa huoltoverkostomme, jonka yhteystiedot ovat verkkosivustollamme osoitteessa www.eptarefrigeration.com.

Varaosat

Varaosat ja laitteen korjaustiedot ovat saatavilla vähintään 8 vuotta sen jälkeen, kun tuotteen valmistus lopetetaan. Verkkosoite: www.epta-service.com/service.

Pyydä kirjautumistunnukset lähettämällä sähköpostia osoitteeseen: servicesupport@eptarefrigeration.com.

Ilmalauhduttimen puhdistaminen

Ilmalauhduttimella varustetut laitteet toimivat tehokkaasti vain, jos niiden lauhdutin puhdistetaan käyttö- ja kunnossapito-ohjeissa annetuilla tavoilla ja aikaväleillä.

Tärkeää tietoa ruokahävikistä

On suositeltavaa noudattaa huolellisesti tuotteiden pakkauksissa annettuja säilytysohjeita ja ruokatuottajien ohjeita.

Lämpötila-asetukset on siksi säädettävä ruokatuotteiden säilyvyysominaisuuksien mukaan. Noudata laitteen teknisissä asiakirjoissa annettuja ohjeita.

Vääränlainen käyttö voi aiheuttaa ruoan pilaantumista.

Ympäristöolosuhteet

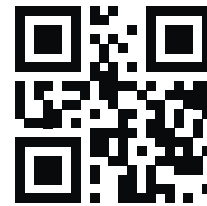
Tämä laite on suunniteltu toimimaan käyttöympäristöissä, joiden lämpötila ja kosteus ovat käyttö- ja kunnossapito-ohjeissa määritettyjen rajojen sisällä.

Purkamisohjeet

Laitteen purkaminen on annettava pätevien ammattilaisten tehtäväksi.

Ympäristöasiat ovat Epta Groupille ensisijaisen tärkeitä, ja yritys tarjoaa käyttäjille laitteen purkamista ja jätteenkäsittelyä koskevat ohjeet, jotka ovat ladattavissa oheisesta osoitteesta.

- Vieraile sivustolla: www.costan.com



- Siirry kalusteen **teknisen alueen** osioon.

Muita tietoja

Lisätietoja on saatavilla osoitteessa www.eptarefrigeration.com ja EPREL-sivustolla, johon pääset skannaamalla tässä tai tuotteen energiamerkinnässä olevan QR-koodin.



Model - Malli - Modell Modell - Model	GINGER - VANILLA	COSTAN eptarefrigeration
Manufacturer - Valmistaja - Tillverkare Produsent - Fabrikant	Epta Spa - Via Mecenate, 86 - 20138 Milano (MI) ITALIA Tel. 02/55403211 Telefax 02/55401023	26/26

User manual

Käyttörajoitukset



Tämä kaluste on suunniteltu käytettäväksi, kuljetettavaksi ja säilytettäväksi enintään 2000 m korkeudella merenpinnasta.

Säilytys:

- Lämpötila 15°C–50°C
- Suhteellinen kosteus 20%–90%
- Enimmäisaika 6 kuukautta

Kuljetus:

- Lämpötila 20°C–70°C
- Suhteellinen kosteus 20%–90%
- Enimmäisaika 2 kuukautta

Asennus:

- Lämpötila 0°C–40°C
- Suhteellinen kosteus 20%–90%
- Enimmäisaika 2 kuukautta

Käyttö:

Kalusteen suorituskykyä ei taata muussa kuin sen tavanomaisessa käytössä.

Kalusteen eheys ja turvallisuus taataan seuraavien rajojen puitteissa tilapäisesti:

Ympäristö kalusteen ulkopuolella:

- Luokasta 1 (16°C / 80%rh) luokkaan 4 (30°C / 55%rh) tai luokkaan 6 (27°C / 70%rh)

Ympäristö kalusteen sisällä (sähköturvallisuutta koskevat ehdot):

Kalusteen positiivinen lämpötila

- Lämpötila -10°C–+10°C
- Suhteellinen kosteus 70%–100%
- Enimmäisaika 10 vuotta

Pakastekalusteet

- Lämpötila -40°C–15°C
- Suhteellinen kosteus 90%–100%
- Enimmäisaika 10 vuotta



Käytön aikana lämmityselementtien lämpötila voi paikallisesti ylittää edellä mainitut rajat, kuitenkin turvallisten käyttöehtojen puitteissa.

Model - Malli - Modell Modell - Model	GINGER - VANILLA	COSTAN <small>eptarefrigeration</small>
Manufacturer - Valmistaja - Tillverkare Produsent - Fabrikant	Epta Spa - Via Mecenate, 86 - 20138 Milano (MI) ITALIA Tel. 02/55403211 Telefax 02/55401023	2/26

User manual

INNEHÅLL

1.	Inledning	3
2.	Säkerhetsvarningar	4
2.1	Varningar för apparater som använder R290 (propan)	4
2.2	Allmänna varningar	4
2.3	Varningar beträffande kyldiskens underhåll	5
2.4	Elektriska varningar	6
2.5	Förbud	6
3.	Allmän beskrivning	8
3.1	Sektioner	9
4.	Transport av kyldisken	11
5.	Omgivande förhållanden	12
6.	Tekniska egenskaper	14
7.	Användning av kyldisken	16
8.	Ordinarie underhåll	18
8.1	Rengöra kyldisken	18
9.	Hyllornas konfiguration	19
10.	Användarinstruktioner	20
10.1	Beskrivning av kyldisken	20
10.2	Transport och hantering	20
10.3	Mottagning och förvaring	20
10.4	Installation och omgivande förhållanden	21
10.5	Elektrisk anslutning	21
10.6	Tekniska egenskaper	21
10.7	Fylla på produkten	21
10.8	Användning av kyldisken	22
10.9	Rengöring och ordinarie underhåll	22
10.10	Nödsituationer	23
10.11	Teknisk support	24
10.12	Demontering och kassering	24
11.	Kompletterande allmänna varningar	25

SYMBOLER SOM ANVÄNDS



Förbudssymbol: förbjuder utförande av specifika åtgärder.



Uppmärksamhetssymbol: olycksförebyggande regler för operatören.



Varningssymbol: risk föreligger för skador på kyldisken och/eller dess komponenter.



Observationssymbol: innehåller användbar information.

Model - Malli - Modell Modell - Model	GINGER - VANILLA	COSTAN eptarefrigeration
Manufacturer - Valmistaja - Tillverkare Produsent - Fabrikant	Epta Spa - Via Mecenate, 86 - 20138 Milano (MI) ITALIA Tel. 02/55403211 Telefax 02/55401023	3/26

1. INLEDNING

Vi rekommenderar att du noggrant läser igenom innehållet i denna instruktionsbok och förvarar den i anslutning till kyldisken.

Tillverkaren kan inte hållas ansvarig för person- eller egendomsskador som orsakats av underlåtenhet att följa varningarna i denna instruktionsbok.



Instruktionsboken innehåller information som anses vara nödvändig för erforderlig användning och drift av kyldisken.

I instruktionsboken hittar du följande beskrivningar och information:

- en funktionell beskrivning av kyldisken och alla dess delar
- information om diskens säkerhet och säkerhetsreglerna som ska följas
- korrekt användning av kyldisken
- korrekt ordinarie och programmerat underhåll, inklusive rengöringsåtgärder

Information som inte ingår i denna instruktionsbok:

- Installationsinstruktioner

Se följande dokument för korrekt installation av kyldisken:

- Teknisk manual
- Snabbanvisningar

Denna instruktionsbok är till för följande professionella användare:

- **BEHÖRIG OPERATÖR:** en behörig person som utbildats i att använda, reglera, rengöra och utföra ordinarie underhåll på kyldisken
- **SPECIALISERAD TEKNIKER** en tekniker som utbildats och auktoriserats av den instans som anges i avtalet (tillverkaren/koncessionsinnehavare/distributör) för att utföra: installation, icke-rutinmässigt underhåll, reparation, utbyte och översyn av kyldisken

Bruksanvisningen finns även tillgänglig på: www.eptarefrigeration.com.


Hänvisa till försäkringen om överensstämmelse för föreskrifter och certifieringar för kyldisken.


Spara alltid instruktionsboken ifall kyldisken ska säljas vidare.


Model - Malli - Modell Modell - Model	GINGER - VANILLA	COSTAN eptarefrigeration
Manufacturer - Valmistaja - Tillverkare Produsent - Fabrikant	Epta Spa - Via Mecenate, 86 - 20138 Milano (MI) ITALIA Tel. 02/55403211 Telefax 02/55401023	4/26

2. SÄKERHETSVARNINGAR


2.1 Varningar för apparater som använder R290 /propan)


 Propan är en naturgas som inte påverkar miljön, men den är lättantändlig. Därför är det viktigt att se till att inga rör i kylkretsen är skadade innan kyldisken ansluts till strömförsörjningen. Lokalen där kyldisken är installerad måste ha en minsta volym på 1 m³ för varje 8g köldmedium. Mängden köldmedium i kyldisken anges på kyldiskens tekniska dataskylt. I händelse av läckage av köldmedium, ska du se till att undvika att ha öppen eld eller antändningskällor i närheten av läckagepunkten.


 Skada inte kylningskretsen.


 För att minska risken för brandfara får denna kyldisk endast installeras av erforderligt behörig personal.


2.2 Allmänna varningar


 Tillverkaren fransäger sig allt ansvar för person- och egendomsskador som orsakats av underlåtenhet att följa varningarna i denna instruktionsbok. Alla som använder denna kyldisk måste läsa instruktionsboken.


 Arbetsgivaren ska utbilda personalen beträffande olycksriskerna, om de anordningar som finns för personalens säkerhet, om riskerna med buller och om de allmänna säkerhetsregler om vilka det föreskrivs i gällande bestämmelser.


 Kyldisken får endast användas av vuxna som har nödvändiga kunskaper och vars fysiska, sensoriska och mentala förmågor inte är nedsatta. Kyldisken är inte avsedd att användas av minderåriga (i synnerhet inte av 0–3-åringar). Barn får inte leka med kyldisken ens under uppsikt och ansvar av vuxna.


 All annan användning som inte uttryckligen anges i denna instruktionsbok betraktas som farlig och tillverkaren kan inte hållas ansvarig för eventuella skador som uppstår till följd av olämplig, felaktig eller orimlig användning.


 Kyldisken får endast användas av personal som är utrustad med lämplig personlig skyddsutrustning.

 Det är obligatoriskt att använda arbetshandskar.

 Låt inte kyldisken utsättas för väderpåverkan.

 Spraya inte direkta eller indirekta vattenstrålar på kyldisken.

 Vidrör inte kyldisken med våta eller fuktiga händer eller fötter. Använd inte kyldisken med bara fötter.

 Borttagning av skyddsanordningar eller paneler som kräver att verktyg används får endast utföras av behörig personal.

Model - Malli - Modell Modell - Model	GINGER - VANILLA	COSTAN <small>eptarefrigeration</small>
Manufacturer - Valmistaja - Tillverkare Produsent - Fabrikant	Epta Spa - Via Mecenate, 86 - 20138 Milano (MI) ITALIA Tel. 02/55403211 Telefax 02/55401023	5/26



För montering av särskilda valfria tillbehör, kontakta närmaste auktoriserade servicecenter.



Varje åtgärd får endast utföras av behörig personal och i samtliga fall måste kyldiskens strömförsörjning kopplas bort före varje åtgärd.



Informera alla som använder kyldisken om frångiljarens placering.



Termostatjustering får endast utföras av den tekniska eftermarknadsservicen.



Var uppmärksam på heta eller rörliga delar som är märkta med tillämplig symbol.



I händelse av brand, använd inte vatten för att släcka lågorna utan endast pulversläckare.



Skada inte kylningskretsen.



Undvik eld och gnistor inuti apparaten.



Håll ventilationsöppningarna i apparatens hölje fria från hinder.



Använd inte elektriska anordningar inuti apparatens fack för förvaring av frysta livsmedel om dessa inte är av den typ som rekommenderas av tillverkaren.



Förvara inte explosiva eller farliga ämnen, såsom tryckbehållare med brandfarligt drivmedel, i denna anordning.



Placera inte vätskebehållare och håll inte ut vätskor på bänken.

2.3 Varningar beträffande kyldiskens underhåll



Underhållsarbete får endast utföras av behörig personal.



Åtkomst till elektriska delar och/eller delar som kräver användning av verktyg är reserverad endast för specialtekniker.



Före alla underhålls- och rengöringsåtgärder som utförs av användaren ska kyldisken göras strömlös med hjälp av den väggmonterade frångiljaren.



Var uppmärksam på heta eller rörliga delar som är märkta med tillämplig symbol.



Det är obligatoriskt att använda arbetshandskar.

EN

FI

SV


NN


DA


Model - Malli - Modell Modell - Model	GINGER - VANILLA	COSTAN <small>eptarefrigeration</small>
Manufacturer - Valmistaja - Tillverkare Produsent - Fabrikant	Epta Spa - Via Mecenate, 86 - 20138 Milano (MI) ITALIA Tel. 02/55403211 Telefax 02/55401023	6/26


User manual


2.4 Elektriska varningar


 Se till att nätspänningen överensstämmer med kyldiskens märkskylt.


 Den elektriska installationen ska utföras på ett fackmannamässigt sätt av specialiserade tekniker.


 Avlägsnande av luckan till elpanelen får endast göras av specialiserade tekniker.


 I enlighet med installationsreglerna måste strömförsörjningen innehålla en allpolig fränkopplingsanordning, som säkerställer fullständig fränkoppling från nätverket under överspanningskategori III-förhållanden.


 Kyldisken måste installeras enligt tillverkarens anvisningar, av behörig personal och i enlighet med de regler för elektriska system som gäller i respektive land.

 En felaktig montering av kyldisken kan orsaka skador på människor, djur och egendom, och för detta kan tillverkaren inte hållas ansvarig.


 Om strömkabeln är skadad måste den bytas ut av auktoriserad servicepersonal. Försök inte reparera kabeln.


 Strömsätt inte kabeln om den är skadad. Om du är osäker, ska du kontakta eftermarknadstjänsten eller återförsäljaren.


 Efter att ha installerat kyldisken ska du se till att den inte ligger på strömkabeln.


 Il collegamento deve avvenire pertanto in maniera DIRETTA alla rete di alimentazione. Anslut endast DIREKT till elanläggningen.


2.5 Förbud


 Det är förbjudet att använda anordningar utöver dem som tillverkaren tillhandahåller i kyldisken för att påskynda avfrostningsprocessen.

 Det är förbjudet för obehörig personal att avlägsna luckan till elpanelen eller öppna paneler som kräver användning av verktyg.


 Det är förbjudet att använda kyldisken för förvaring och/eller exponering av explosiva, brandfarliga eller frätande ämnen, till exempel sprayburkar som innehåller brandfarligt drivmedel.


 Det är förbjudet att använda kyldisken för förvaring och/eller exponering av farmaceutiska produkter.


 När det gäller PRODUKTER SOM INTE ÄR FÖRPACKADE ELLER SOM FÖRVARAS I LÅGA TEMPERATURER är det förbjudet att använda kyldisken för förvaring och/eller exponering av flaskor och förpackningar av glas.

 Det är förbjudet att placera kyldisken i områden där det förekommer explosiva gasformiga ämnen.

Model - Malli - Modell Modell - Model	GINGER - VANILLA	COSTAN eptarefrigeration
Manufacturer - Valmistaja - Tillverkare Produsent - Fabrikant	Epta Spa - Via Mecenate, 86 - 20138 Milano (MI) ITALIA Tel. 02/55403211 Telefax 02/55401023	7/26

 Det är förbjudet att avlägsna märkskylten från kyldisken.

 Det är förbjudet att stå på kyldisken eller dess stötlister.

 Det är förbjudet att byta ut komponenter och/eller modifiera kyldisken utanför tillverkarens specifikationer, byta ut originaldelar mot andra som inte är godkända av tillverkaren, med påföljden att garantin upphör att gälla.

EN

FI

SV

NN

DA

Model - Malli - Modell Modell - Model	GINGER - VANILLA	COSTAN eptarefrigeration
Manufacturer - Valmistaja - Tillverkare Produsent - Fabrikant	Epta Spa - Via Mecenate, 86 - 20138 Milano (MI) ITALIA Tel. 02/55403211 Telefax 02/55401023	8/26

User manual

3. ALLMÄN BESKRIVNING

Öppet

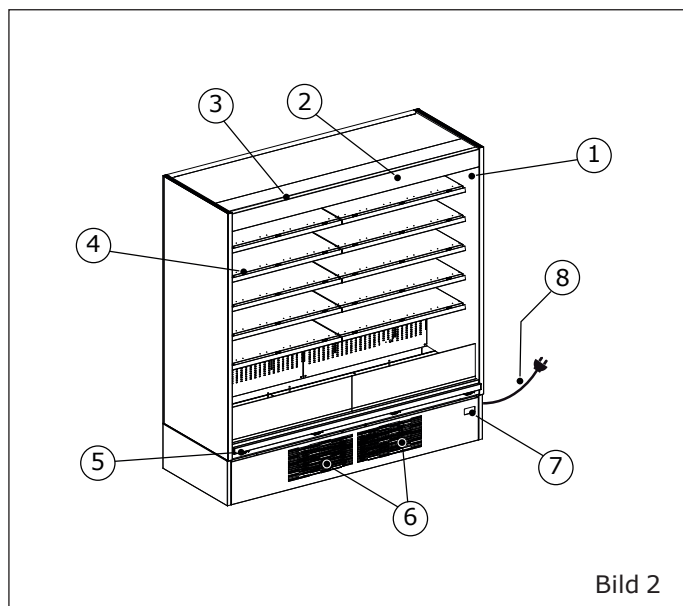


Bild 2

1. Märkskylt
2. Övre belysning
3. Nattgardiner (obligatoriska)
4. Hyllbelysning
5. Stötlist
6. Kondensatorområde
7. Kontrollpanel
8. Elsladd

Stängt

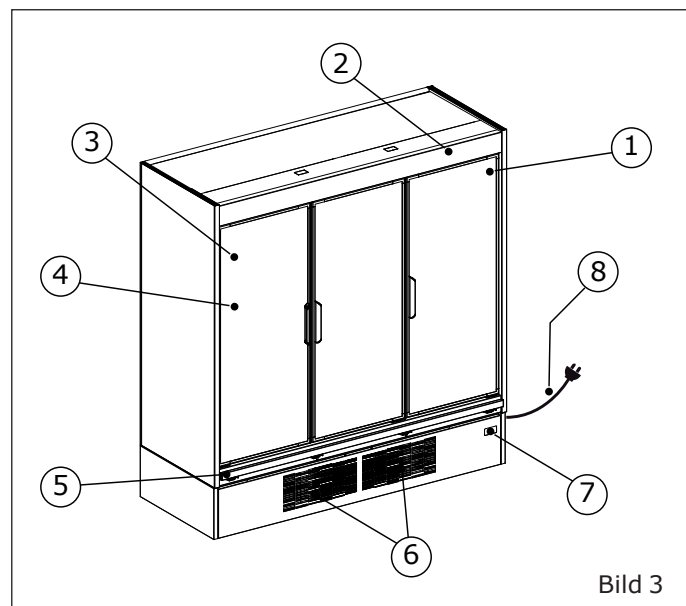


Bild 3

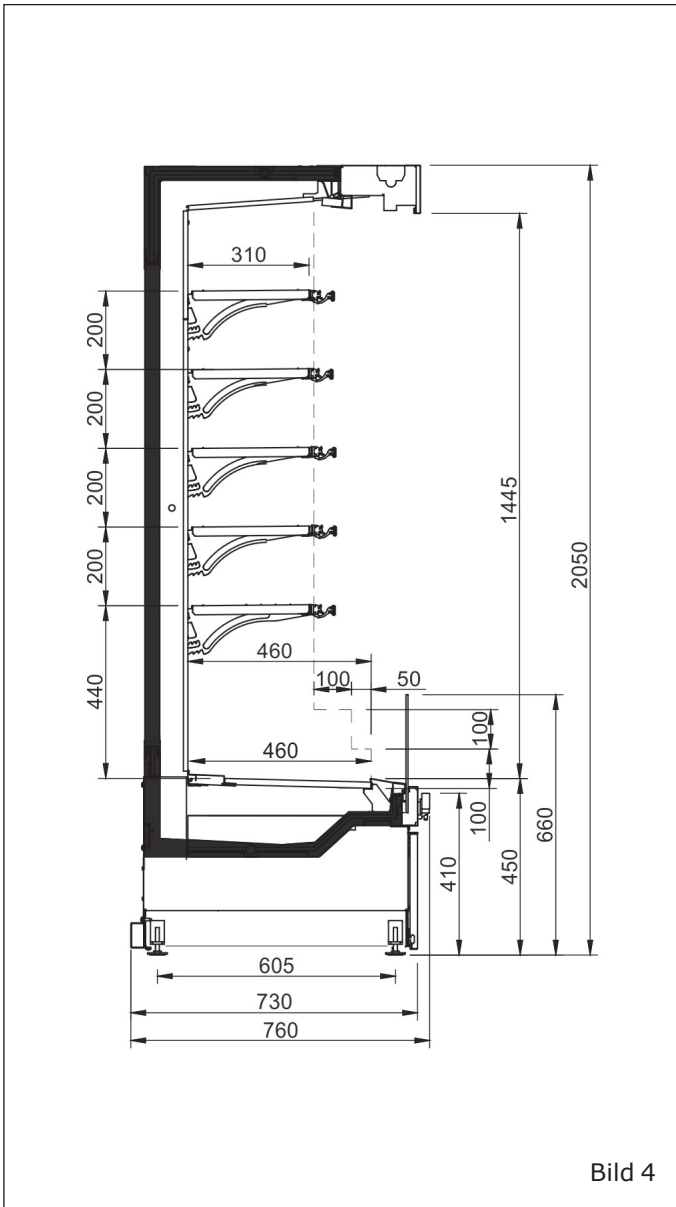
1. Märkskylt
2. Övre belysning
3. Glasdörrar
4. Hyllbelysning
5. Stötlist
6. Kondensatorområde
7. Kontrollpanel
8. Elsladd

Model - Malli - Modell Modell - Model	<h1>GINGER - VANILLA</h1>	
Manufacturer - Valmistaja - Tillverkare Produsent - Fabrikant	Epta Spa - Via Mecenate, 86 - 20138 Milano (MI) ITALIA Tel. 02/55403211 Telefax 02/55401023	9/26

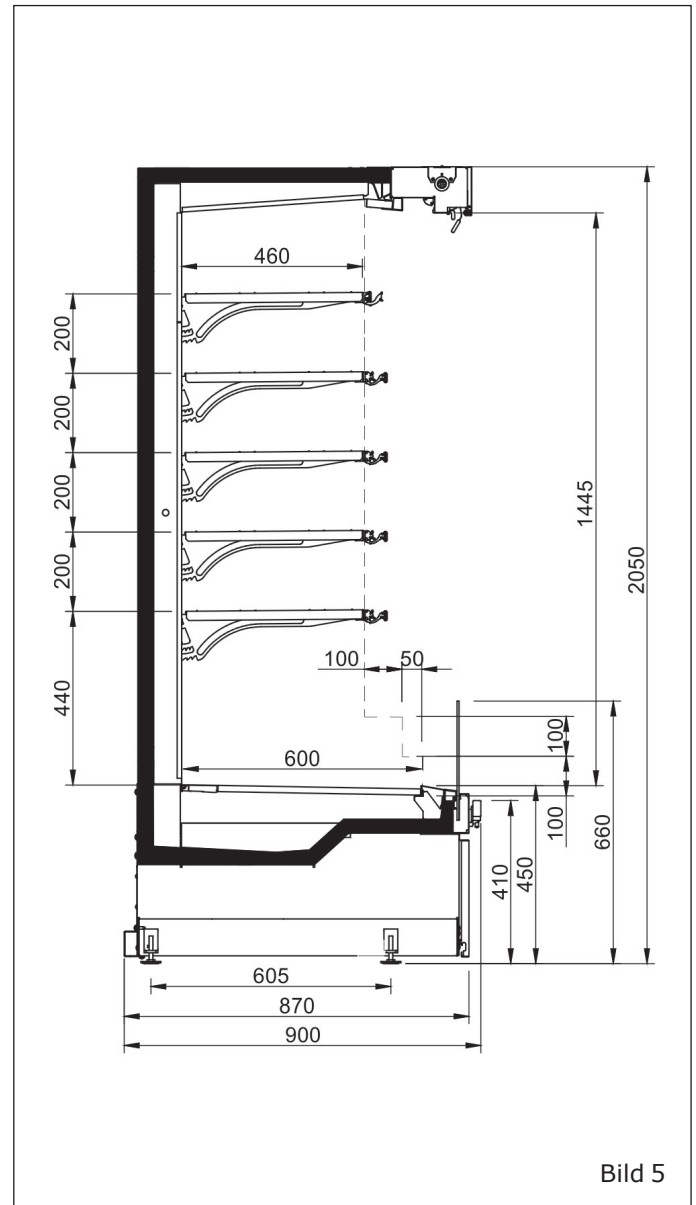
3.1 Sektioner

Öppet

COMPACT



NARROW



- EN
- FI
- SV**
- NN
- DA

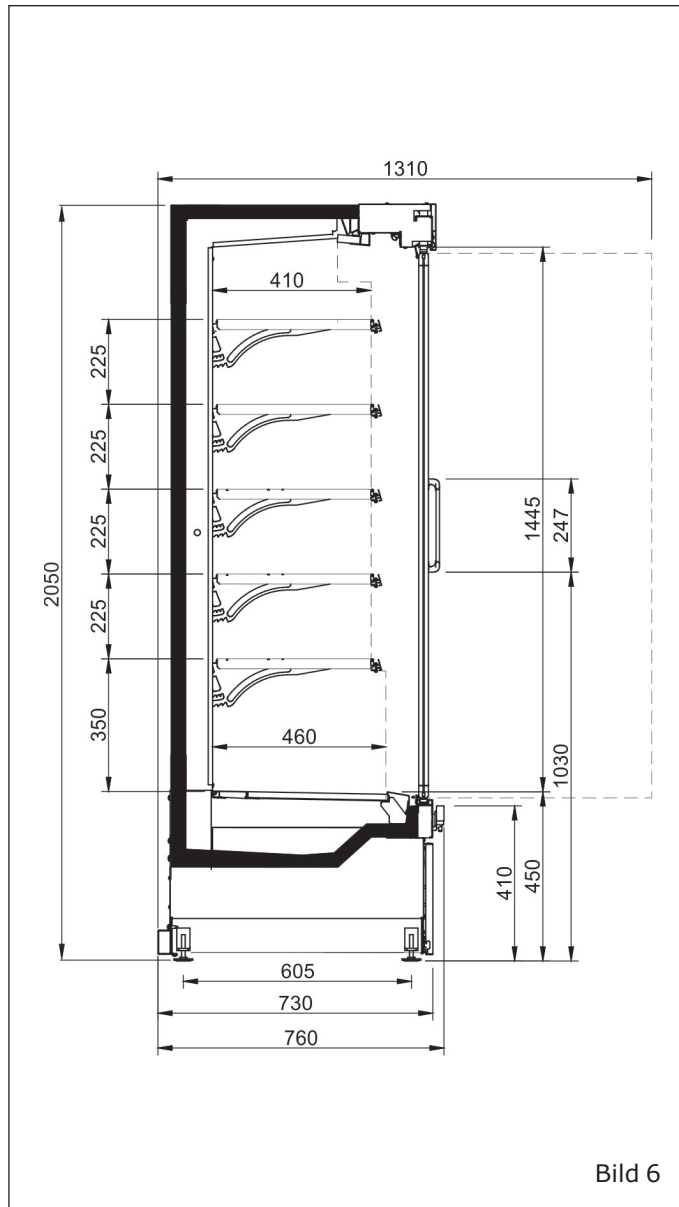
Model - Malli - Modell Modell - Model	<h1>GINGER - VANILLA</h1>	
Manufacturer - Valmistaja - Tillverkare Produsent - Fabrikant	Epta Spa - Via Mecenate, 86 - 20138 Milano (MI) ITALIA Tel. 02/55403211 Telefax 02/55401023	10/26

User manual

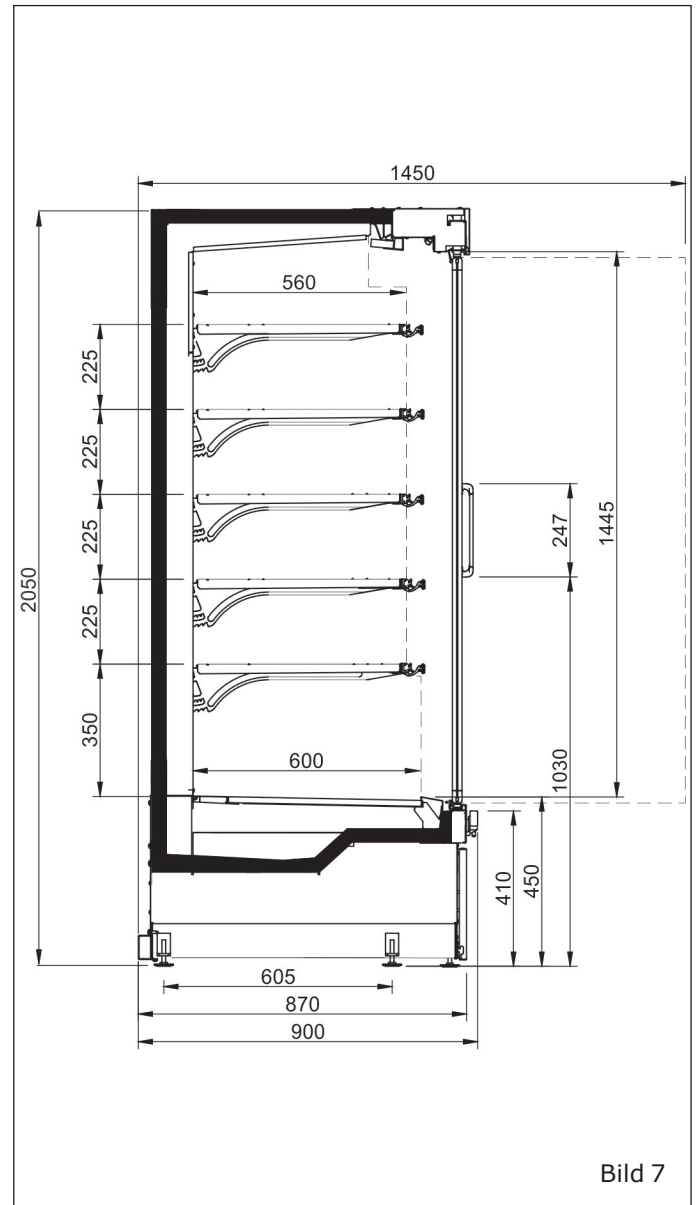
- EN
- FI
- SV**
- NN
- DA

Stängt

COMPACT

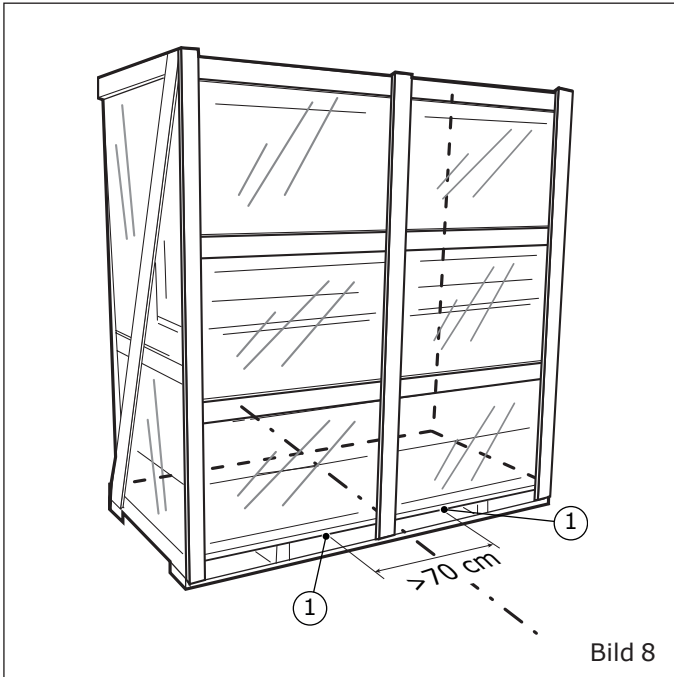


NARROW



Model - Malli - Modell Modell - Model	GINGER - VANILLA	COSTAN eptarefrigeration
Manufacturer - Valmistaja - Tillverkare Produsent - Fabrikant	Epta Spa - Via Mecenate, 86 - 20138 Milano (MI) ITALIA Tel. 02/55403211 Telefax 02/55401023	11/26

4. TRANSPORT AV KYLDISKEN



1. Lyftpunkter

Tabell I

Öppet

Höjd	Djup	Längd	Vikt (kg)	Vikt med emballage (kg)
2000	Compact	937	220	240
		1250	250	270
		1875	270	290
		2500	410	430
	Narrow	937	270	290
		1250	290	310
		1875	430	450
		2500	490	510

Stängt

Höjd	Djup	Längd	Vikt (kg)	Vikt med emballage (kg)
2000	Compact	937	250	270
		1250	270	290
		1875	410	430
		2500	450	470
	Narrow	937	280	300
		1250	300	320
		1875	440	460
		2500	500	520

Model - Malli - Modell Modell - Model	GINGER - VANILLA	COSTAN eptarefrigeration
Manufacturer - Valmistaja - Tillverkare Produsent - Fabrikant	Epta Spa - Via Mecenate, 86 - 20138 Milano (MI) ITALIA Tel. 02/55403211 Telefax 02/55401023	12/26

User manual

EN

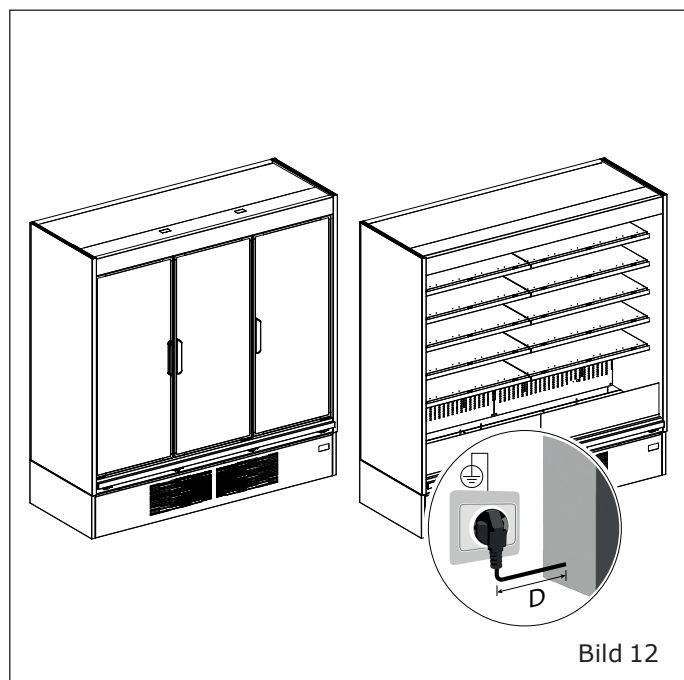
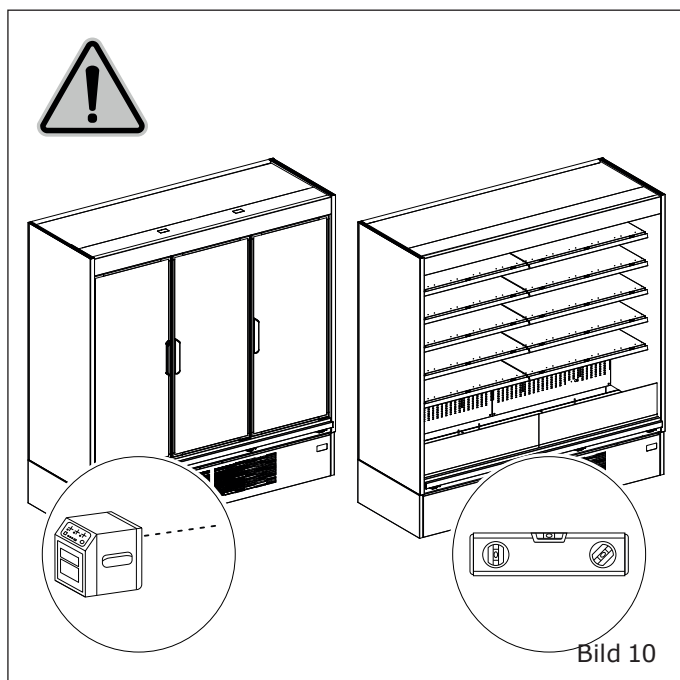
FI

SV

NN

DA

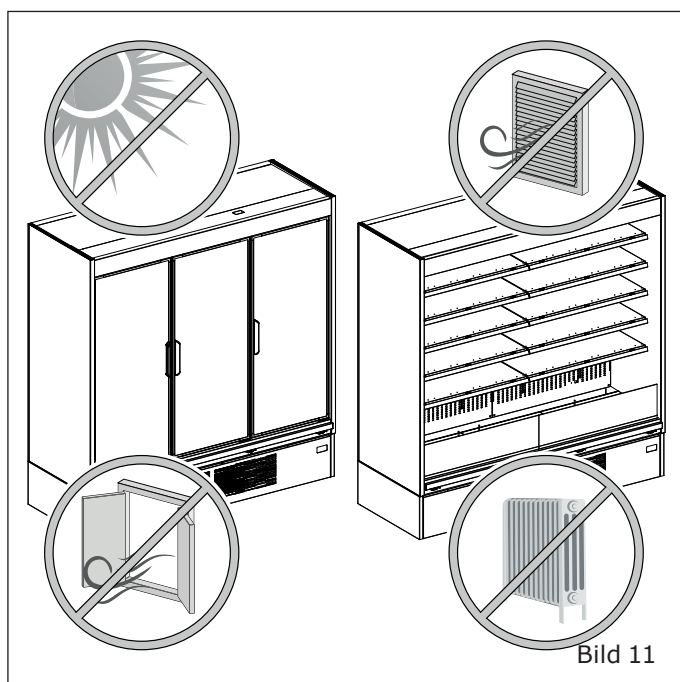
5. OMGIVANDE FÖRHÅLLANDEN



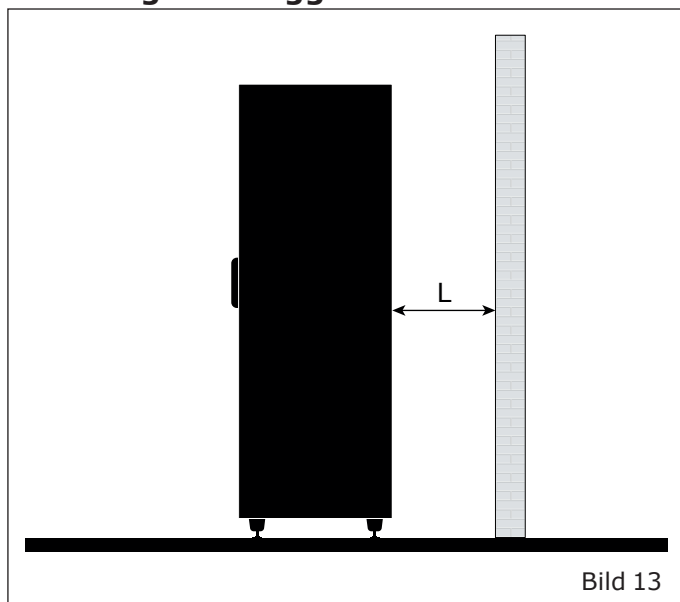
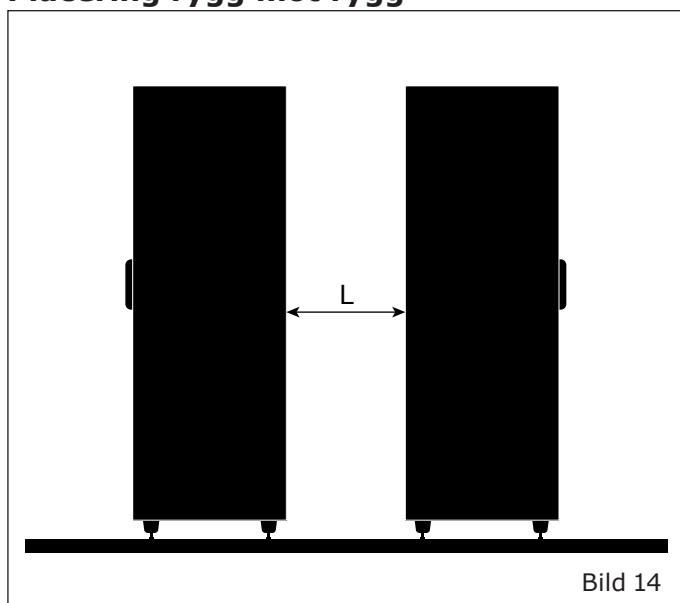
D=1,5m

Tabell II

Egenskaper	
Typ av lokaler	Stängt
Temperatur	25°C
Relativ luftfuktighet	60 %
Belysning	600 lx



Model - Malli - Modell Modell - Model	GINGER - VANILLA	COSTAN eptarefrigeration
Manufacturer - Valmistaja - Tillverkare Produsent - Fabrikant	Epta Spa - Via Mecenate, 86 - 20138 Milano (MI) ITALIA Tel. 02/55403211 Telefax 02/55401023	13/26

Placering mot vägg
 $L \geq 100\text{mm}$
Placering rygg mot rygg
 $L \geq 200\text{mm}$

EN

FI

SV

NN

DA

Model - Malli - Modell Modell - Model	GINGER - VANILLA	COSTAN eptarefrigeration
Manufacturer - Valmistaja - Tillverkare Produsent - Fabrikant	Epta Spa - Via Mecenate, 86 - 20138 Milano (MI) ITALIA Tel. 02/55403211 Telefax 02/55401023	14/26

User manual

6. TEKNISKA EGENSKAPER









		<div style="border: 1px dashed black; width: 100%; height: 40px; margin-bottom: 5px;"></div> <div style="display: flex; justify-content: space-between;"> SN 13  14 </div> <div style="display: flex; justify-content: space-between;"> REF 15 16 </div>			
<div style="display: flex; justify-content: space-between;"> 1 2 </div> <table style="width: 100%; border-collapse: collapse;"> <tr> <td style="width: 50%; vertical-align: top;"> RATED BEMESSUNG ASSIGNÉ NOMINALE NOMINAL </td> <td style="width: 50%; vertical-align: top;"> <div style="display: flex; justify-content: space-between;"> 3 4 </div> <div style="display: flex; justify-content: space-between;"> 5 6 </div> </td> </tr> </table>	RATED BEMESSUNG ASSIGNÉ NOMINALE NOMINAL	<div style="display: flex; justify-content: space-between;"> 3 4 </div> <div style="display: flex; justify-content: space-between;"> 5 6 </div>	<table style="width: 100%; border-collapse: collapse;"> <tr> <td style="width: 50%; vertical-align: top;"> REFRIGERANT KÄLTEMITTEL RÉFRIGÉRANT REFRIGERANTE REFRIGERANTE </td> <td style="width: 50%; vertical-align: top;"> <div style="display: flex; justify-content: space-between;"> 17 18 </div> <div style="display: flex; justify-content: space-between;"> 19 20 </div> </td> </tr> </table>	REFRIGERANT KÄLTEMITTEL RÉFRIGÉRANT REFRIGERANTE REFRIGERANTE	<div style="display: flex; justify-content: space-between;"> 17 18 </div> <div style="display: flex; justify-content: space-between;"> 19 20 </div>
RATED BEMESSUNG ASSIGNÉ NOMINALE NOMINAL	<div style="display: flex; justify-content: space-between;"> 3 4 </div> <div style="display: flex; justify-content: space-between;"> 5 6 </div>				
REFRIGERANT KÄLTEMITTEL RÉFRIGÉRANT REFRIGERANTE REFRIGERANTE	<div style="display: flex; justify-content: space-between;"> 17 18 </div> <div style="display: flex; justify-content: space-between;"> 19 20 </div>				
<table style="width: 100%; border-collapse: collapse;"> <tr> <td style="width: 50%; vertical-align: top;"> DEFROSTING ABTAUUNG DÉGIVRAGE SBRINAMENTO DESCONGELAMIENTO </td> <td style="width: 50%; vertical-align: top;"> <div style="display: flex; justify-content: space-between;"> 7 8 </div> </td> </tr> </table>	DEFROSTING ABTAUUNG DÉGIVRAGE SBRINAMENTO DESCONGELAMIENTO	<div style="display: flex; justify-content: space-between;"> 7 8 </div>	<table style="width: 100%; border-collapse: collapse;"> <tr> <td style="width: 50%; vertical-align: top;"> CLIMATIC CLASS KLIMAKLASSE CLASSE CLIMATIQUE CLASSE CLIMATICA CLASE CLIMÁTICA </td> <td style="width: 50%; vertical-align: top;"> <div style="display: flex; justify-content: space-between;"> 21 </div> </td> </tr> </table>	CLIMATIC CLASS KLIMAKLASSE CLASSE CLIMATIQUE CLASSE CLIMATICA CLASE CLIMÁTICA	<div style="display: flex; justify-content: space-between;"> 21 </div>
DEFROSTING ABTAUUNG DÉGIVRAGE SBRINAMENTO DESCONGELAMIENTO	<div style="display: flex; justify-content: space-between;"> 7 8 </div>				
CLIMATIC CLASS KLIMAKLASSE CLASSE CLIMATIQUE CLASSE CLIMATICA CLASE CLIMÁTICA	<div style="display: flex; justify-content: space-between;"> 21 </div>				
<table style="width: 100%; border-collapse: collapse;"> <tr> <td style="width: 50%; vertical-align: top;"> HEATING SYSTEMS HEIZUNGSSYSTEME SYSTEMES CHAUFFANTS SISTEMI DI RISCALDAMENTO SISTEMA DE CALEFACCIÓN </td> <td style="width: 50%; vertical-align: top;"> <div style="display: flex; justify-content: space-between;"> 9 </div> </td> </tr> </table>	HEATING SYSTEMS HEIZUNGSSYSTEME SYSTEMES CHAUFFANTS SISTEMI DI RISCALDAMENTO SISTEMA DE CALEFACCIÓN	<div style="display: flex; justify-content: space-between;"> 9 </div>	<table style="width: 100%; border-collapse: collapse;"> <tr> <td style="width: 50%; vertical-align: top;"> INSULATION BLOWING GAS ISOLATIONS GAS (BLÄHGAS) AGENT MOUSSANT D'ISOLATION GAS ESPUMANTE ISOLAMENTO AGENTE ESPUMANTE </td> <td style="width: 50%; vertical-align: top;"> <div style="display: flex; justify-content: space-between;"> 22 </div> </td> </tr> </table>	INSULATION BLOWING GAS ISOLATIONS GAS (BLÄHGAS) AGENT MOUSSANT D'ISOLATION GAS ESPUMANTE ISOLAMENTO AGENTE ESPUMANTE	<div style="display: flex; justify-content: space-between;"> 22 </div>
HEATING SYSTEMS HEIZUNGSSYSTEME SYSTEMES CHAUFFANTS SISTEMI DI RISCALDAMENTO SISTEMA DE CALEFACCIÓN	<div style="display: flex; justify-content: space-between;"> 9 </div>				
INSULATION BLOWING GAS ISOLATIONS GAS (BLÄHGAS) AGENT MOUSSANT D'ISOLATION GAS ESPUMANTE ISOLAMENTO AGENTE ESPUMANTE	<div style="display: flex; justify-content: space-between;"> 22 </div>				
<div style="display: flex; justify-content: space-between;">  10 </div>	<table style="width: 100%; border-collapse: collapse;"> <tr> <td style="width: 50%; vertical-align: top;"> PROTECTION INDEX SCHÜTZART INDEX DE LA PROTECTION INDICE DI PROTEZIONE ÍNDICE DE PROTECCIÓN </td> <td style="width: 50%; vertical-align: top;"> <div style="display: flex; justify-content: space-between;"> 23 </div> </td> </tr> </table>	PROTECTION INDEX SCHÜTZART INDEX DE LA PROTECTION INDICE DI PROTEZIONE ÍNDICE DE PROTECCIÓN	<div style="display: flex; justify-content: space-between;"> 23 </div>		
PROTECTION INDEX SCHÜTZART INDEX DE LA PROTECTION INDICE DI PROTEZIONE ÍNDICE DE PROTECCIÓN	<div style="display: flex; justify-content: space-between;"> 23 </div>				
<div style="display: flex; justify-content: space-between;">  Read Operator's Manual available at www.eptarefrigeration.com or calling: +39 0437 968379  11 24 </div>	<div style="display: flex; justify-content: space-around; align-items: center;">    </div>				

Bild 15

1. Produktens ursprung
2. Produkt i "ursprungsland"
3. Märkspänning
4. Märkeffekt
5. Märkfrekvens
6. Märkström
7. Avfrostningseffekt
8. Avfrostningsström
9. Uppvärmningssystem
10. Belysningssystem
11. Operatörens instruktionsbok
12. Streckkod

13. Serienummer
14. Tillverkningsdatum
15. Hat-kod
16. Modell
17. Typ av köldmedium 1
18. Köldmediemassa 1
19. Typ av köldmedium 2
20. Köldmediemassa 2
21. Klimatklass
22. Gasisolering
23. Skyddsindex
24. Certifieringsmärken



Varning! Innehåller brandfarlig köldmediegas.

Model - Malli - Modell Modell - Model	GINGER - VANILLA	COSTAN <small>eptarefrigeration</small>
Manufacturer - Valmistaja - Tillverkare Produsent - Fabrikant	Epta Spa - Via Mecenate, 86 - 20138 Milano (MI) ITALIA Tel. 02/55403211 Telefax 02/55401023	15/26

Tabell III

Öppet

Mängd köldmedium R290 (g)			
Djup	Modell	Rets A	Rets B
Compact	937	120	-
	1250	145	-
	1875	125	125
	2500	150	150
Narrow	937	120	-
	1250	145	-
	1875	125	125
	2500	150	150

Stängt

Mängd köldmedium R290 (g)			
Djup	Modell	Rets A	Rets B
Compact	937	140	-
	1250	140	-
	1875	140	-
	2500	150	-
Narrow	937	140	-
	1250	140	-
	1875	140	-
	2500	150	-

EN

FI

SV

NN

DA

Model - Malli - Modell Modell - Model	GINGER - VANILLA	COSTAN eptarefrigeration
Manufacturer - Valmistaja - Tillverkare Produsent - Fabrikant	Epta Spa - Via Mecenate, 86 - 20138 Milano (MI) ITALIA Tel. 02/55403211 Telefax 02/55401023	16/26

User manual

7. ANVÄNDNING AV KYLDISKEN

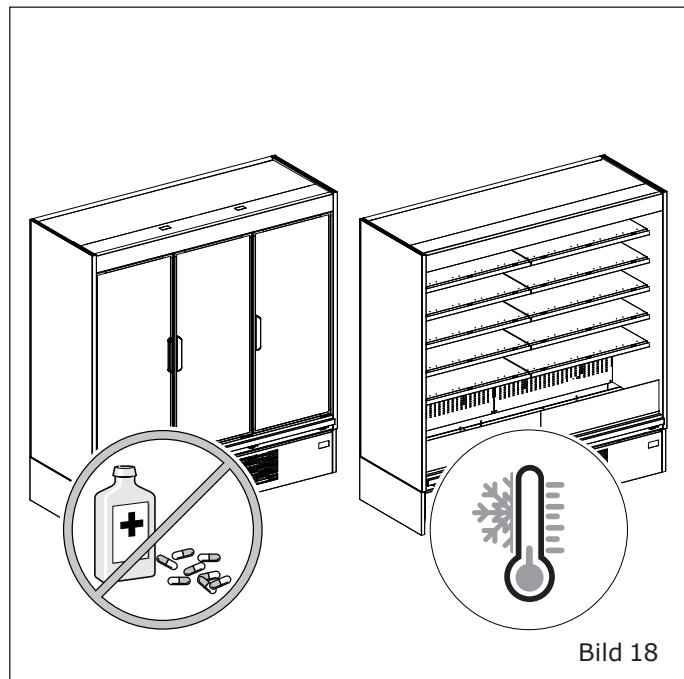
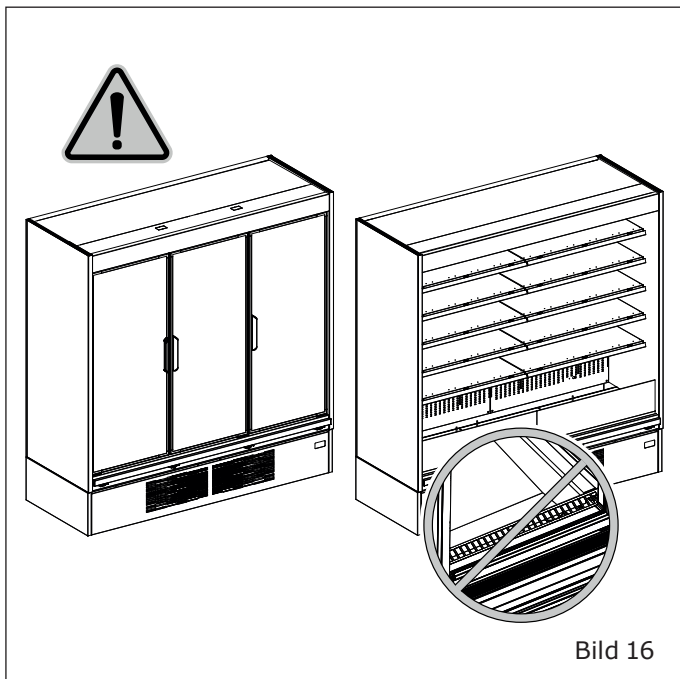
EN

FI

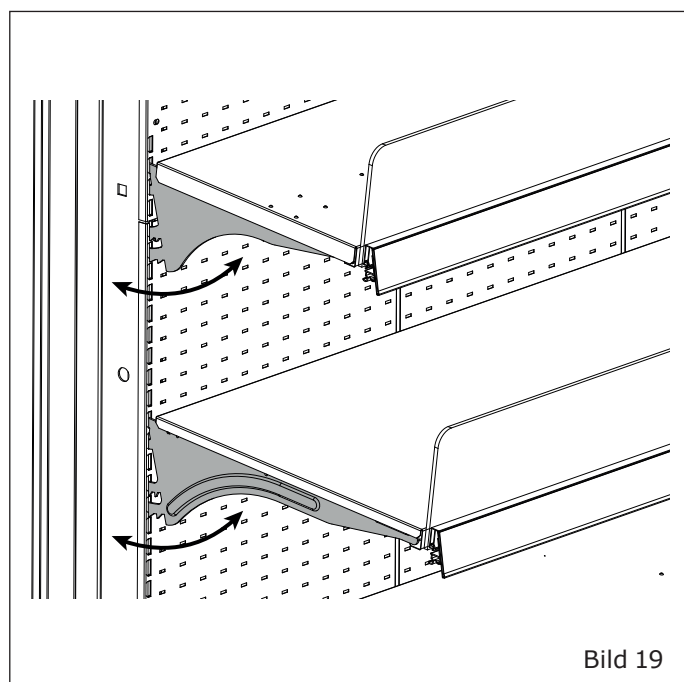
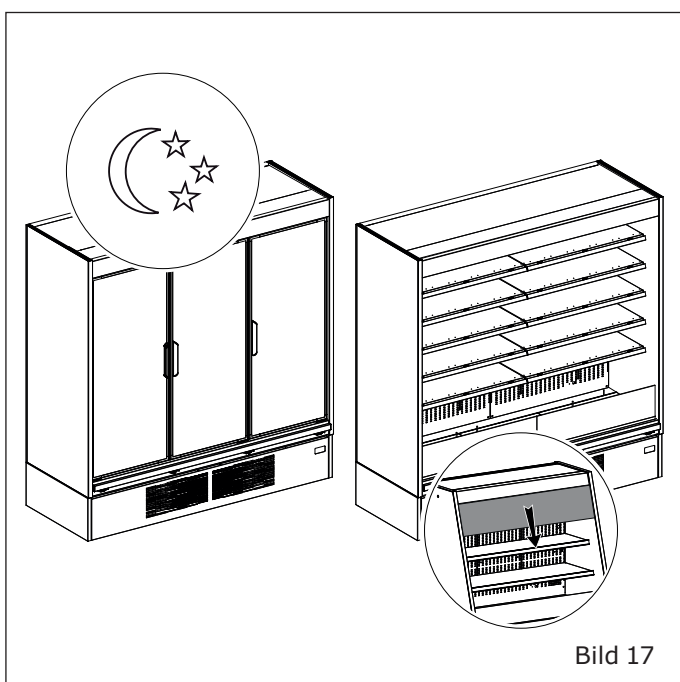
SV

NN

DA

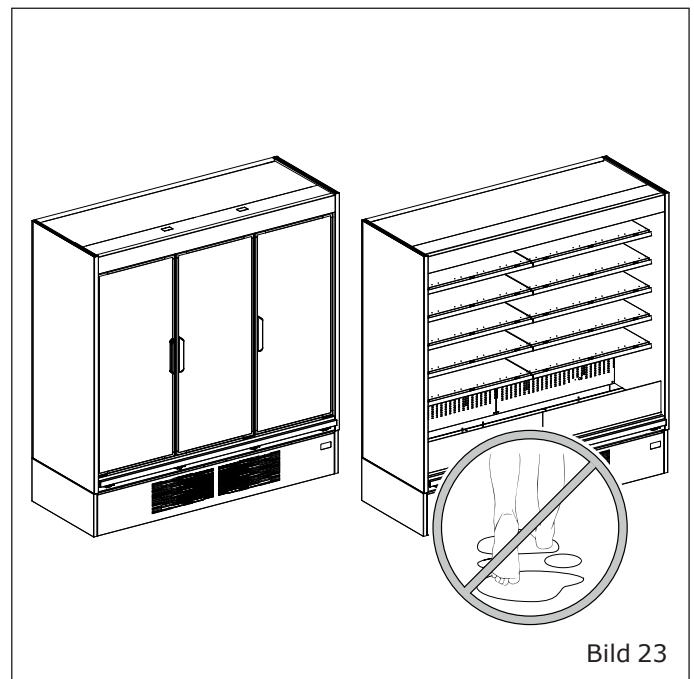
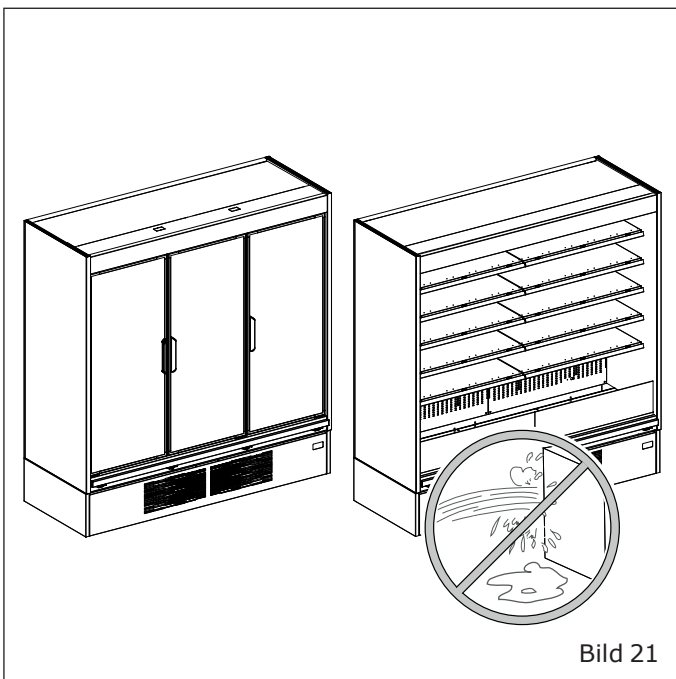
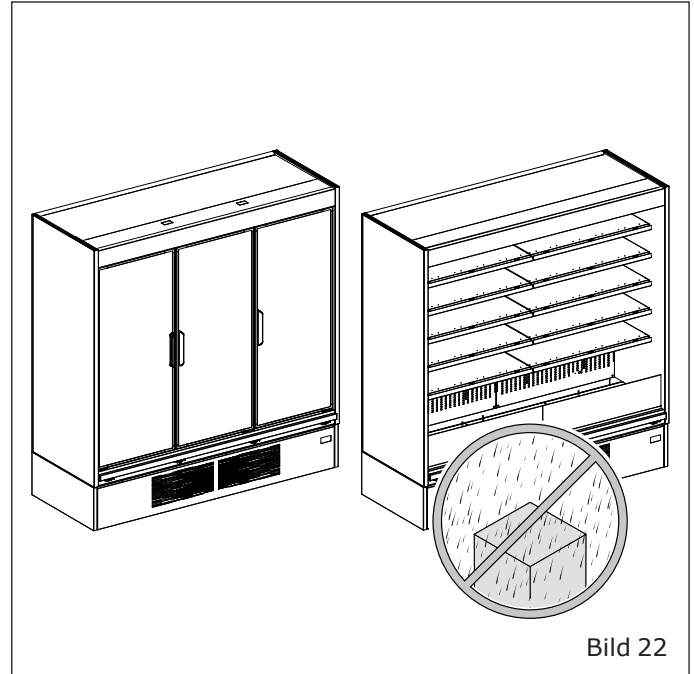
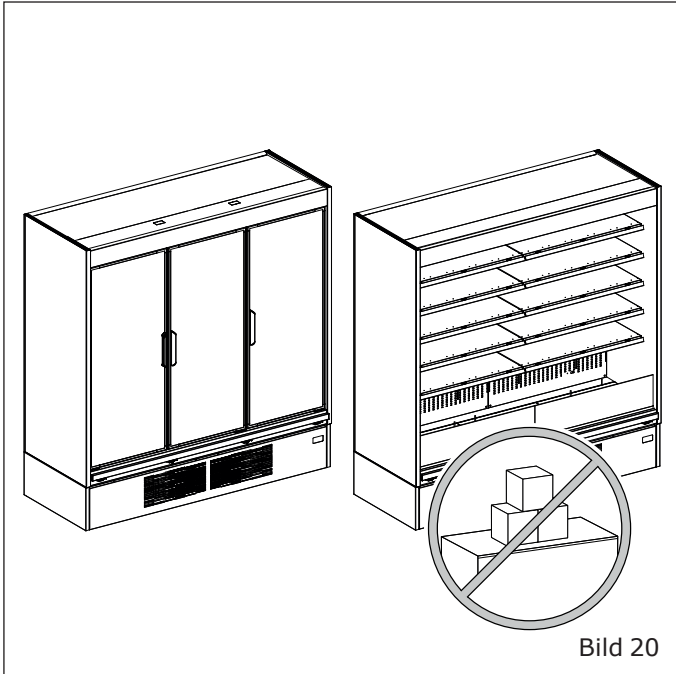


Får ej övertäckas



Hyllornas lutning: 0° - 7° - 14° - 21°

Model - Malli - Modell Modell - Model	<h1>GINGER - VANILLA</h1>	
Manufacturer - Valmistaja - Tillverkare Produsent - Fabrikant	Epta Spa - Via Mecenate, 86 - 20138 Milano (MI) ITALIA Tel. 02/55403211 Telefax 02/55401023	17/26



EN

FI

SV

NN

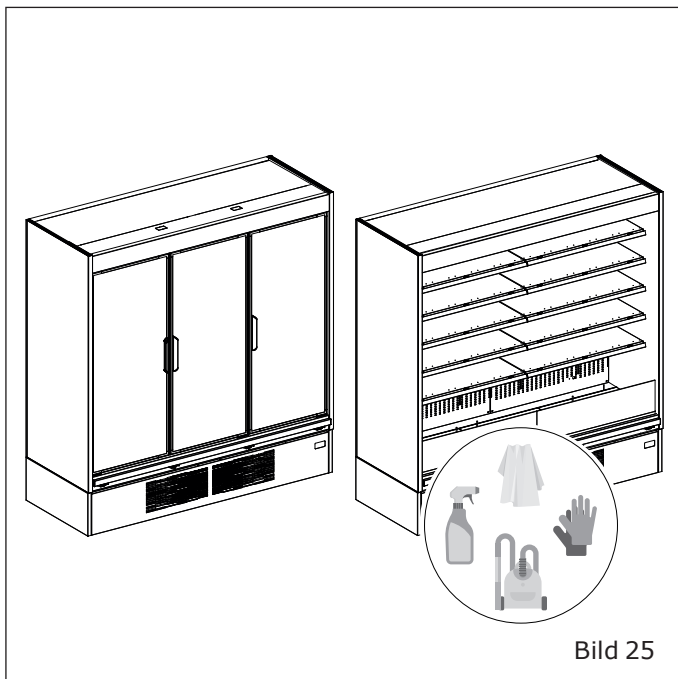
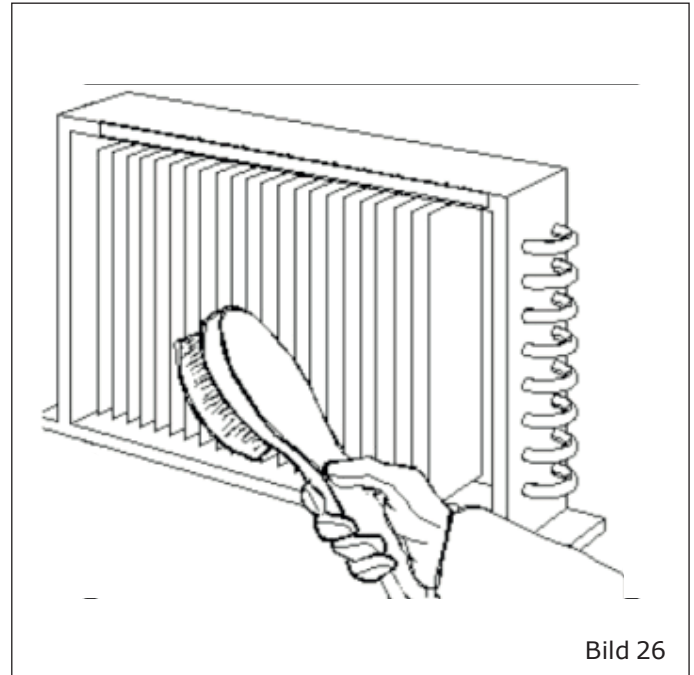
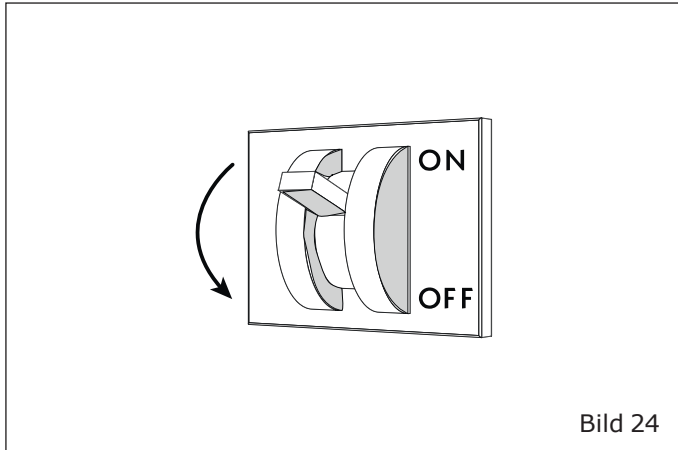
DA

Model - Malli - Modell Modell - Model	GINGER - VANILLA	COSTAN eptarefrigeration
Manufacturer - Valmistaja - Tillverkare Produsent - Fabrikant	Epta Spa - Via Mecenate, 86 - 20138 Milano (MI) ITALIA Tel. 02/55403211 Telefax 02/55401023	18/26

User manual

8. ORDINARIE UNDERHÅLL

8.1 Rengöra kyldisken



Model - Malli - Modell Modell - Model	GINGER - VANILLA	COSTAN eptarefrigeration
Manufacturer - Valmistaja - Tillverkare Produsent - Fabrikant	Epta Spa - Via Mecenate, 86 - 20138 Milano (MI) ITALIA Tel. 02/55403211 Telefax 02/55401023	19/26

9. HYLLORNAS KONFIGURATION

Tabell IV

Konfiguration av enkelt hylldjup	
COMPACT	NARROW
N x 310	N x 310
N x 360	N x 360
-	N x 410
-	N x 460

N = Antal hyllplaner

EN

FI

SV

NN

DA

Model - Malli - Modell Modell - Model	GINGER - VANILLA	COSTAN eptarefrigeration
Manufacturer - Valmistaja - Tillverkare Produsent - Fabrikant	Epta Spa - Via Mecenate, 86 - 20138 Milano (MI) ITALIA Tel. 02/55403211 Telefax 02/55401023	20/26

10. ANVÄNDARINSTRUKTIONER

10.1 Beskrivning av kyldisken

Denna vitrinkyldisk har utformats och tillverkats uteslutande för exponering av förpackade färska livsmedel, drycker och mejeriprodukter.

TEMPERATURKLASS (i enlighet med EN ISO 23953-2):

- Öppet 3M1
- Stängt 3M0

De allmänna egenskaperna och måtten beskrivs på bilderna och i avsnitten som ingår i: "Allmän beskrivning" (från sid. "8" till sid. "10").

Vid transport och hantering, mottagning och förvaring, installation, lastning, användning, rengöring, underhåll och demontering, var uppmärksam på risken för att kyldisken kan välta. ("Bild 28").

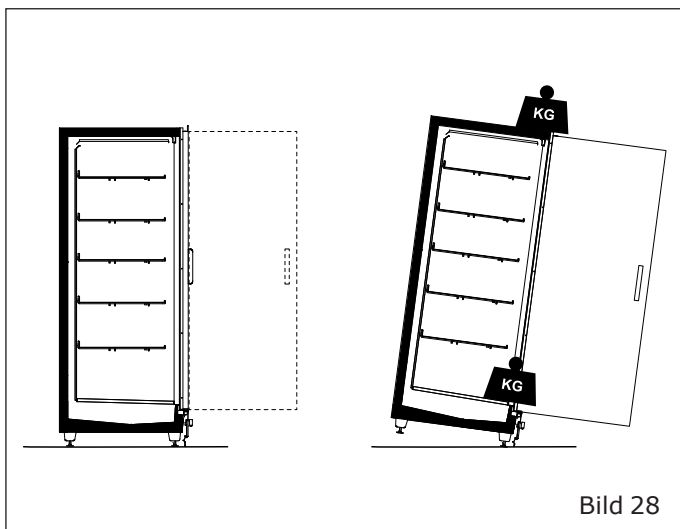


Bild 28

10.2 Transport och hantering

Kyldisken är förpackad i särskilt emballage utrustat med en plattform för hantering med gaffeltruckar.

Transportera och hantera kyldisken med hjälp av:

- Uteslutande med en för ändamålet specifik eller motsvarande plattform
- En manuell eller eldriven gaffeltruck som lämpar sig för att lyfta kyldisken som har egenskaper som överensstämmer med gällande standarder

Kyldiskens vikt (tomt och med emballage) och emballagets mått framgår av: "Transport av kyldisken" (tabellen "Tabell I" och bilderna på sid."11").

Hantering ska utföras av behörig personal som kan bedöma vikter, lyftpunkter och mest lämpliga hjälpmedel med beaktande av säkerhet och kapacitet.

10.3 Mottagning och förvaring

Kontrollera skicket på emballaget innan du tar emot kyldisken från transportören.

Om det förekommer uppenbara skador på emballaget:

- Avlägsna kyldiskens emballage i närvaro av transportören.
- Underteckna följesedeln med förbehåll

Tillverkaren kan inte hållas ansvarig för skador som orsakats av transport eller felaktig förvaring av kyldisken.

Kyldisken ska förvaras på en plats där den är skyddad från solljus och väderförhållanden, i en temperatur mellan -25°C och +55°C och en relativ luftfuktighet mellan 30% och 95%.

Model - Malli - Modell Modell - Model	GINGER - VANILLA	
Manufacturer - Valmistaja - Tillverkare Produsent - Fabrikant	Epta Spa - Via Mecenate, 86 - 20138 Milano (MI) ITALIA Tel. 02/55403211 Telefax 02/55401023	21/26

10.4 Installation och omgivande förhållanden

Kyldisken är inte utformad för installation utomhus.

För korrekt användning av kyldisken, se till att det placeras:

- På ett jämnt golv ("Bild 10").
- Långt från värmekällor, direkt solljus, dörrar, fönster, fläktar och luftventiler ("Bild 11").

Tillhandahåll det utrymme som krävs för att kunden ska kunna använda kyldisken.

De omgivande förhållanden som kyldisken bör placeras i beskrivs i: "Omgivande förhållanden" (tabellen "Tabell II", Pag."12").

10.5 Elektrisk anslutning

En allpolig frångiljare måste installeras uppströms från kyldisken. Den måste ha:

- Ett minsta avstånd mellan kontakterna på 3 mm
- Tillräcklig brytkraft

Frångiljaren ska vara placerad så att den är lätt att manövrera i nödsituationer (på ett maximalt avstånd om 3 m).

Innan kyldisken ansluts ska du kontrollera att matningsspänningen motsvarar uppgifterna på kyldiskens märkskylt. För att garantera en smidig drift måste den maximala spänningsvariationen ligga mellan +/- 6% av det nominella värdet.

10.6 Tekniska egenskaper

Märkskylten visar kyldiskens karakteristiska tekniska data. Dess position och typen av data beskrivs i: "Tekniska egenskaper" ("Bild 15"). Kopplingsscheman, kalibreringslistor för styrinstrument, installationsinstruktioner och en kopia av försäkran om överensstämmelse finns tillgängliga på webbplatsen <https://documents.eptarefrigeration.com>. Ljudtrycksnivån som genereras av driften av kyldisken är lägre än 70 dB(A). Kyldisken orsakar inte skadliga vibrationer.

10.7 Fylla på produkten

Strömsätt kyldisken för att starta kylningscykeln genom att aktivera den allmänna frångiljaren som är monterad på väggen. Efter cirka 2 timmar är det möjligt att börja fylla på kyldisken. Kyldisken är lämplig för att bibehålla varornas temperatur och inte sänka den. Livsmedlen får därför endast föras in i kyldisken om de redan har kylts till respektive förvaringstemperatur. Produkter som har värmts upp får aldrig sättas in i kyldisken. Om kyldisken har glasfronter, rekommenderas det att varorna fylls på när det inte finns någon kund i försäljningsområdet.

Vid påfyllning av varor, se till att:

- Lasten är homogen beträffande produkternas mått och kvalitet.
- Varorna hindrar inte det korrekta flödet av kyld luft ("Bild 16")
- Varorna inte överskrider påfyllningslinjen.

Jämnt fördelad maximal tillåten belastning:

- På bottennivån: 225 kg/m²
- På hyllorna: 140 kg/m²

Model - Malli - Modell Modell - Model	GINGER - VANILLA	COSTAN eptarefrigeration
Manufacturer - Valmistaja - Tillverkare Produsent - Fabrikant	Epta Spa - Via Mecenate, 86 - 20138 Milano (MI) ITALIA Tel. 02/55403211 Telefax 02/55401023	22/26

10.8 Användning av kyldisken

Termostat/termometer

En fjärrstyrd termostat/termometer är placerad längst ned till höger i kyldisken för att reglera temperaturen ("Bild 2", "Bild 3"). Fjärrtermostaten visar den befintliga temperaturen inuti höljet och temperaturen regleras med hjälp av de dedikerade knapparna.

Konfigurering och lutning av exponeringshyllorna

För att säkerställa den korrekta prestandan som kyldisken är konstruerad för, måste hyllorna placeras i kyldisken enligt den uppställning som beskrivs nedan. (tabellen "Tabell IV" till sid. "19").

Genom att variera hyllornas kopplingsposition med de bakre stolparna på disken, kan man åstadkomma 4 olika lutningar ("Bild 19").



Använd nattskydd eller nattgardiner, om sådana finns installerade, under stängningstiderna. ("Bild 17").

10.9 Rengöring och ordinarie underhåll

God synlighet i användningsområdet rekommenderas, eventuellt med hjälp av en extra ljuskälla.

Rengöra kyldisken

Använd endast vatten med en temperatur på högst 65°C grader och hushållstvål eller ett neutralt rengöringsmedel utspätt i vatten.

Använd aldrig:

- Slipande svampar
- Brandfarliga eller slipande produkter, till exempel alkohol, aceton eller lösningsmedel
- Rengöringsmedel som innehåller icke-joniska tensider, citron eller vinäger (ättiksyra)



Tvätta eller rengör inte den övre delen av kyldisken med vatten eller vätskor.

Rengör kyldiskens alla externa delar **EN GÅNG I VECKAN**.

Rengör kyldiskens interna delar **EN GÅNG I MÅNADEN** i enlighet med instruktionerna nedan:

- Koppla från strömförsörjningen till kyldisken med hjälp av den väggmonterade huvudfrånskiljaren ("Bild 24").
- Töm kyldisken och förvara varorna i kylrum eller kylskåp för att bibehålla förvaringstemperaturen.
- Vänta tills insidan av kyldisken har uppnått den omgivande temperaturen och rengör därefter
- Efter att noggrant ha kontrollerat att kyldiskens insida är helt torr, starta om apparaten genom att koppla in strömmen till kyldisken igen.
- Du kan fylla på med varor på nytt efter ett par timmar.

Model - Malli - Modell Modell - Model	GINGER - VANILLA	COSTAN eptarefrigeration
Manufacturer - Valmistaja - Tillverkare Produsent - Fabrikant	Epta Spa - Via Mecenate, 86 - 20138 Milano (MI) ITALIA Tel. 02/55403211 Telefax 02/55401023	23/26

När du tar kyldisken ur bruk, koppla bort strömmen och följ instruktionerna ovan och lämna dörrarna öppna (om sådana finns) för att undvika dålig lukt.

Avfrosta kyldisken **VAR TREDJE MÅNAD** så att eventuell is som har bildats på förångarens lameller och förhindrar korrekt drift smälter. Hur lång tid avfrostningen tar regleras direkt på fabriken. Eventuella justeringar ska uteslutande utföras av den tekniska serviceavdelningen. Avfrostningsvattnet samlas upp av ett speciellt avlopp och leds till ett avledningstråg, som är placerat längst ned i kyldisken. Kontrollera med jämna mellanrum att avfrostningsvattnet rinner ut normalt. Om inte, vidta omedelbart åtgärder med en trubbig, flexibel sond.

Agera enligt instruktionerna för att rengöra de inre delarna **VARJE MÅNAD**, men i det här fallet bör du räkna med en längre väntetid för att isen ska hinna smälta helt.

Rengör i synnerhet kondensatorenheten minst var 30:e dag med en hård metallborste för att avlägsna damm och smuts från lamellerna. En smutsig kondensorenheter kyler mindre, vilket leder till slöseri med energi och dålig prestanda. Använd tåliga handskar vid rengöring av kondensorenheten.



Endast stängda modeller

Kondensorn är en självrengörande väggmodell som inte kräver rutinmässigt underhåll. Av säkerhetsskäl måste dock kondensorn rengöras **VARTANNAT ÅR** genom att blåsa luft genom en tryckluftspump för att avlägsna eventuella rester och ansamlat damm ("Bild 27").

10.10 Nödsituationer

Kyldisken startar inte eller så stannar den:

- Kontrollera att det inte förekommer elavbrott.
- Kontrollera att huvudströmbrytaren på väggen är aktiverad.
- Kontrollera att kyldiskens kontakt är kopplad till uttaget.

Om strömavbrottet inte beror på dessa orsaker, kontakta närmaste auktoriserade servicecenter och töm kyldisken helt och hållet, och placera varorna omedelbart i kylrum eller kylskåp som kan hålla förvaringstemperaturen.

Kyldisken kyler inte tillräckligt:

- Kontrollera att kondensatorenheten är ren och kan utföra sin värmeväxlingsfunktion. Rengör den noggrant om lamellerna är igensatta.
- Kontrollera att kyldisken fylls på korrekt.
- Avfrosta kyldisken och återuppta därefter normal drift, om denna åtgärd inte har utförts på mer än tre månader.
- Kontrollera att kyldisken inte ligger nära värmekällor eller luftflöden.
- Kontrollera omgivande förhållanden. Referensvärdena beskrivs i: "Omgivande förhållanden" ("Tabell II", Pag."12").
- Kontrollera kyldiskens planhet med hjälp av ett vattenpass.

Om kylfelet kvarstår, kontakta närmaste auktoriserade servicecenter.

Model - Malli - Modell Modell - Model	GINGER - VANILLA	COSTAN eptarefrigeration
Manufacturer - Valmistaja - Tillverkare Produsent - Fabrikant	Epta Spa - Via Mecenate, 86 - 20138 Milano (MI) ITALIA Tel. 02/55403211 Telefax 02/55401023	24/26

User manual

EN

Kyldisken låter:

- Kontrollera att skruvar och bultar är korrekt åtdragna.
- Kontrollera kyldiskens planhet med hjälp av ett vattenpass.

FI

SV

Om besväret kvarstår, kontakta närmaste auktoriserade servicecenter.

NN

DA

10.11 Teknisk support

Om teknisk support behövs, kontakta omedelbart leverantören som kyldisken köptes från.

Om du behöver reservdelar, ska du alltid kontakta den tekniska supportservicen: fråga och kontrollera att originalreservdelar används.

10.12 Demontering och kassering

I enlighet med reglerna för demontering av avfall som gäller i de enskilda länderna och för att respektera miljön vi lever i ber vi dig att separera kyldiskens delar så att de kan kasseras separat eller, vid behov, återvinna dem på lämpligt sätt.

Kyldiskens samtliga delar är inte jämförbara med kommunalt fast avfall med undantag för metalldelarna, som i vilket fall som helst inte inkluderas i specialavfall i majoriteten av de europeiska länderna.



Kylsystemet har högt tryck. Kontakta specialpersonal före kassering av det.

Komponenterna i kylkretsen får inte kapas eller separeras/demonteras innan kretsen laddats ur och köldmediegasen ska tas omhand av behörig personal.

Model - Malli - Modell Modell - Model	GINGER - VANILLA	COSTAN eptarefrigeration
Manufacturer - Valmistaja - Tillverkare Produsent - Fabrikant	Epta Spa - Via Mecenate, 86 - 20138 Milano (MI) ITALIA Tel. 02/55403211 Telefax 02/55401023	25/26

11. KOMPLETTERANDE ALLMÄNNA VARNINGAR

Instruktioner för korrekt installation och underhåll

Användar- och underhållsinstruktionerna finns i instruktionsboken, som finns tillgänglig på webbplatsen:

www.eptarefrigeration.com.

Installationsinstruktionerna för specialmedarbetare finns tillgängliga:

- Via servicenätverket
- I vissa kategorier av produkter i pappersformat levereras tillsammans med produkten

Professionell reparationservice

Service erbjuds av vårt servicenätverk, som kan konsulteras i kontaktområdena via webbplatsen www.eptarefrigeration.com.

Reservdelar

Reservdelarna och informationen för reparation av apparaten finns tillgängliga i minst 8 år efter att produkten har tagits ur produktion via den här webbplatsen: www.epta-service.com/service.

Inloggningsuppgifter tillhandahålls på begäran via post till:

servicesupport@eptarefrigeration.com.

Rengöring av luftkondensator

De inkluderade enhetsapparaterna med luftkondensering upprätthåller sin effektivitet endast om kondensatorn rengörs på det sätt och med de intervaller som indikeras i användar- och underhållsinstruktionerna.

Viktig information om matsvinn

Rekommendationen är att noggrant följa instruktionerna för förvaring på produktförpackningarna och indikationerna som tillhandahålls av livsmedelsproducenterna. Därför måste temperaturinställningarna konsekvent vara lämpliga för förvaringsegenskaperna för livsmedelsprodukterna, i enlighet med indikationerna som beskrivs i vår tekniska dokumentation.

Felaktig användning kan leda till förstörda produkter.

Omgivande förhållanden

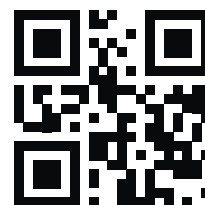
Denna apparat är avsedd att fungera i miljöer, i vilka temperaturen och luftfuktigheten faller inom ramarna som beskrivs i användar- och underhållsinstruktionerna.

Instruktioner för demontering

Demonteringsåtgärder kräver alltid att professionella operatörer kontaktas.

Epta Group har alltid drivits med särskild uppmärksamhet riktad till miljön och tillhandahåller således användarna instruktioner för demontering och avfallshantering, som kan laddas ned nedan

- Gå till webbplatsen www.costan.com



- Gå till kyldiskens avsnitt **Tekniskt område**.

Ytterligare information

För ytterligare och mer detaljerad information, vänligen se www.eptarefrigeration.com och EPREL, vilka du kommer åt via QR-koden här eller på energimärkningen på produkten.



Model - Malli - Modell Modell - Model	GINGER - VANILLA	COSTAN <small>eptarefrigeration</small>
Manufacturer - Valmistaja - Tillverkare Produsent - Fabrikant	Epta Spa - Via Mecenate, 86 - 20138 Milano (MI) ITALIA Tel. 02/55403211 Telefax 02/55401023	26/26

User manual

EN

Användningsgränser

FI



Den här kyldisken är utformad för användning, transport och förvaring på en höjd om högst 2000 m över havsnivån.

SV

NN

Förvaring:

- Temperatur mellan 15°C och 50°C
- Relativ luftfuktighet mellan 20% och 90%
- Maximal tid 6 månader

DA

Transport:

- Temperatur mellan 20°C och 70°C
- Relativ luftfuktighet mellan 20% och 90%
- Maximal tid 2 månader

Installation:

- Temperatur mellan 0°C och 40°C
- Relativ luftfuktighet mellan 20% och 90%
- Maximal tid 2 månader

Användning:

Kyldiskens prestanda kan inte garanteras utöver dess normala användning.

Dess integritet och säkerhet garanteras inom följande gränser för tillfälliga förhållanden.

Miljö utanför kyldisken:

- Från klass 1 (16°C / 80%rh) till klass 4 (30°C / 55%rh) eller klass 6 (27°C / 70%rh)

Miljö inuti kyldisken (förhållanden för elsäkerhet):

Kyldisk med positiv temperatur

- Temperatur mellan -10°C och +10°C
- Relativ luftfuktighet mellan 70% och 100%
- Maximal tid 10 år

Kyldisk med negativ temperatur

- Temperatur mellan -40°C och 15°C
- Relativ luftfuktighet mellan 90% och 100%
- Maximal tid 10 år



Vid drift kan uppvärmningselementen lokalt uppvisa temperaturer som är högre än ovan nämnda gränser, dock alltid med full hänsyn till säkerhetsförhållanden.

Model - Malli - Modell Modell - Model	GINGER - VANILLA	COSTAN eptarefrigeration
Manufacturer - Valmistaja - Tillverkare Produsent - Fabrikant	Epta Spa - Via Mecenate, 86 - 20138 Milano (MI) ITALIA Tel. 02/55403211 Telefax 02/55401023	2/26

User manual

INNHold

1.	Innledning	3
2.	Sikkerhetsadvarsler	4
2.1	Advarsler for apparater som bruker R290 (propan)	4
2.2	Generelle advarsler	4
2.3	Advarsler i forbindelse med vedlikehold av disken	5
2.4	Advarsler for elektrisk anlegg	6
2.5	Forbud	6
3.	Generell beskrivelse	8
3.1	Seksjoner	9
4.	Transport av disken	11
5.	Omgivelser	12
6.	Tekniske funksjoner	14
7.	Bruk av disken	16
8.	Ordinært vedlikehold	18
8.1	Rengjøring av disken	18
9.	Hyllekonfigurasjon	19
10.	Brukerindikasjoner	20
10.1	Beskrivelse av disken	20
10.2	Transport og håndtering	20
10.3	Mottak og oppbevaring	20
10.4	Installasjon og omgivelser	21
10.5	Elektriske koblinger	21
10.6	Tekniske funksjoner	21
10.7	Plassering av produkter	21
10.8	Bruk av disken	22
10.9	Rengjøring og ordinært vedlikehold	22
10.10	Nødsituasjoner	23
10.11	Teknisk assistanse	24
10.12	Demontering og avhending	24
11.	Ytterligere generelle advarsler	25

SYMBOLER SOM BRUKES



Forbudssymbol: Forbyr utførelse av spesifikke operasjoner.



Oppmerksomhetssymbol: Regler for forebygging av ulykker for operatøren.



Advarselssymbol: Det er fare for skader på disken og/eller dens komponenter.



Merknadssymbol: Gir nyttig informasjon.

Model - Malli - Modell Modell - Model	GINGER - VANILLA	COSTAN eptarefrigeration
Manufacturer - Valmistaja - Tillverkare Produsent - Fabrikant	Epta Spa - Via Mecenate, 86 - 20138 Milano (MI) ITALIA Tel. 02/55403211 Telefax 02/55401023	3/26

1. INNLEDNING

Det anbefales å lese innholdet i denne håndboken nøye og oppbevare den sammen med disken.

Produsenten kan ikke holdes ansvarlig for personskader eller materielle skader som skyldes manglende overholdelse av advarslene i denne håndboken.



Håndboken inneholder informasjon som anses som nødvendig for korrekt bruk og betjening av disken.

Du finner følgende beskrivelser og informasjon i denne håndboken:

- en funksjonsbeskrivelse av disken og hver av dens deler
- informasjon om diskens sikkerhet og sikkerhetsreglene som skal følges
- riktig bruk av disken
- korrekt ordinært og programmert vedlikehold, inkludert rengjøringsoperasjoner

Informasjon som ikke er tilgjengelig i denne håndboken:

- Installasjonsinstruksjoner

Se følgende dokumenter for korrekt installasjon av disken:

- Teknisk håndbok
- Hurtigreferanseinstruksjoner

Denne håndboken er beregnet på følgende fagfolk:

- **KVALIFISERT OPERATØR:** en kvalifisert person som er utdannet til å betjene, regulere, rengjøre og utføre ordinært vedlikehold på disken
- **SPECIALISERT TEKNIKER:** en tekniker som er opplært og autorisert av den instans som er angitt i kontrakten (produsent/konsesjonær/distributør) til å utføre installasjon, ikke-rutinemessig vedlikehold, reparasjon, utskiftning og overhaling av disken

Instruksjonene for bruk er også tilgjengelige på:
www.eptarefrigeration.com.


Se samsvarserklæringen for informasjon om forskrifter og sertifiseringer for disken.


Ta alltid vare på instruksjonsheftet i tilfelle salg.


Model - Malli - Modell Modell - Model	GINGER - VANILLA	COSTAN eptarefrigeration
Manufacturer - Valmistaja - Tillverkare Produsent - Fabrikant	Epta Spa - Via Mecenate, 86 - 20138 Milano (MI) ITALIA Tel. 02/55403211 Telefax 02/55401023	4/26

2. SIKKERHETSADVARSLER


2.1 Advarsler for apparater som bruker R290 (propan)


 Propan er en naturgass som ikke påvirker miljøet, men den er brannfarlig. Det er derfor viktig å forsikre seg om at ingen av rørene i kjølekretsen er skadet før du kobler disken til strømforsyningen. Lokalet som disken er installert i, må ha et volum på minst 1 m³ for hver 8g kjølemiddel. Mengden kjølemiddel i disken er angitt på det tekniske dataskiltet på disken. Ved lekkasje av kjølemiddel må du unngå å åpen ild eller antennelseskilder befinner seg i nærheten av lekkasjepunktet.


 Ikke skad kjølekretsen.


 For å redusere brennbarhetsrelaterte risikoer må denne disken kun installeres av kvalifisert personell.


2.2 Generelle advarsler


 Produsenten fraskriver seg ethvert ansvar for personskader eller materielle skader som skyldes manglende overholdelse av advarslene i denne håndboken. Alle som bruker denne disken, må lese denne brukerhåndboken.


 Arbeidsgiveren skal informere de ansatte om ulykkesrisikoer, om sikkerhetsinnretningene som er tilgjengelige for å beskytte de ansatte, om risikoen for støy og om de generelle sikkerhetsreglene som er fastsatt i gjeldende regelverk.


 Disken skal brukes av voksne som har de nødvendige kunnskapene og som ikke har nedsatt fysisk, sensorisk eller mental funksjonsevne; disken er ikke beregnet for bruk av mindreårige (spesielt fra 0 til 3 år). Barn må ikke leke med disken, selv ikke under oppsyn av voksne.


 All annen bruk som ikke er eksplisitt angitt i denne håndboken, anses som farlig, og produsenten kan ikke holdes ansvarlig for skader som oppstår som følge av utilbørlig, feilaktig eller urimelig bruk.


 Disken skal brukes av personale som er utstyrt med egnet personlig verneutstyr.

 Det er obligatorisk å bruke hansker.

 Ikke la disken utsettes for forvittringsmidler.

 Ikke rett direkte eller indirekte vannstråler mot disken.

 Ikke berør disken med våte eller fuktige hender eller føtter, og ikke bruk disken med bare føtter.

 Fjerning av beskyttelsesinnretninger eller paneler som krever bruk av verktøy for å fjernes, er forbeholdt kvalifisert personell.

Model - Malli - Modell Modell - Model	GINGER - VANILLA	COSTAN <small>eptarefrigeration</small>
Manufacturer - Valmistaja - Tillverkare Produsent - Fabrikant	Epta Spa - Via Mecenate, 86 - 20138 Milano (MI) ITALIA Tel. 02/55403211 Telefax 02/55401023	5/26



Kontakt ditt nærmeste autoriserte servicesenter for å få montert valgfritt tilbehør.



Alle inngrep skal utelukkende utføres av kvalifisert personell, og i alle tilfeller må strømforsyningen til disken kobles fra før hvert inngrep.



Informere alle som bruker disken om frakoblingsbryterens posisjon.



Justering av termostaten er forbeholdt teknisk ettersalgstjeneste.



Vær oppmerksom på varme eller bevegelige deler som er merket med det aktuelle symbolet.



I tilfelle brann skal det ikke brukes vann til å slukke flammene, men kun pulverslukningsapparater.



Ikke skad kjølekretsen.



Unngå brann eller gnister inne i disken.



Hold ventilasjonslukene i diskhuset frie for hindringer.



Ikke bruk elektriske apparater inne i rommene i disken for oppbevaring av frosne matvarer hvis apparatene ikke er av den typen som anbefales av produsenten.



Ikke oppbevar eksplosive eller farlige stoffer i disken, slik som beholdere under trykk med brannfarlig drivstoff.



Ikke plasser beholdere med væske på taket, og unngå å helle væsker på disken.

2.3 Advarsler i forbindelse med vedlikehold av disken



Vedlikeholdsarbeid skal kun utføres av autorisert personell.



Tilgang til elektriske deler og/eller deler som krever bruk av verktøy, er forbeholdt spesialiserte teknikere.



Før vedlikeholds- og rengjøringsoperasjoner som er forbeholdt brukeren, må strømmen kobles fra disken ved hjelp av den veggmonterte bryteren.



Vær oppmerksom på varme eller bevegelige deler som er merket med det aktuelle symbolet.



Det er obligatorisk å bruke hansker.

EN

FI

SV


NN


DA

Model - Malli - Modell Modell - Model	GINGER - VANILLA	COSTAN <small>eptarefrigeration</small>
Manufacturer - Valmistaja - Tillverkare Produsent - Fabrikant	Epta Spa - Via Mecenate, 86 - 20138 Milano (MI) ITALIA Tel. 02/55403211 Telefax 02/55401023	6/26


User manual


2.4 Advarsler for elektrisk anlegg


 Kontroller at strømspenningen stemmer overens med merkeskiltet på disken.


 Den elektriske installasjonen må utføres på en kompetent måte av spesialiserte teknikere.


 Fjerning av dekselet til strømboksen er forbeholdt spesialiserte teknikere.


 I samsvar med installasjonsreglene må strømforsyningen inneholde en omnipolar frakoblingsenhet, som sikrer fullstendig frakobling fra nettet under forhold med overspenningskategori III.


 Disken må installeres i henhold til produsentens anvisninger, av kvalifisert fagpersonell og i samsvar med gjeldende regler for elektriske anlegg i de enkelte landene.

 Feil installasjon av disken kan føre til skader på mennesker, dyr eller eiendom, noe produsenten ikke kan holdes ansvarlig for.


 Hvis strø姆ledningen er skadet, må den skiftes ut av autorisert servicepersonell. Ikke prøv å reparere kabelen.


 Ikke bruk kabelen hvis den er skadet. Ta kontakt med ettersalgstjenesten eller forhandleren hvis du er i tvil.


 Når du har installert disken, må du passe på at den ikke hviler på strømkabelen.


 Under tilkobling må man IKKE benytte overgangskontakter, skjøteledninger, adaptere eller grenuttak. Produktet skal kobles DIREKTE til strø姆nettet.


2.5 Forbud


 Det er forbudt å bruke andre innretninger i disken enn de som produsenten har levert for å akselerere avrimingsprosessen.

 Det er forbudt for ufaglærte å fjerne dekselet til strømboksen eller åpne paneler som krever bruk av verktøy.


 Det er forbudt å bruke disken til oppbevaring og/eller utstilling av eksplosive, brannfarlige eller etsende stoffer, for eksempel spraybokser med brannfarlig drivstoff.


 Det er forbudt å bruke disken til oppbevaring og/eller utstilling av legemidler.


 Når det gjelder UEMBALLERTE PRODUKTER ELLER PRODUKTER SOM IKKE SKAL OPPBEVARES VED LAV TEMPERATUR, er det forbudt å bruke disken til oppbevaring og/eller utstilling av flasker og glassemballasje.

 Det er forbudt å plassere disken i områder der det finnes eksplosive, gassholdige stoffer.

Model - Malli - Modell Modell - Model	GINGER - VANILLA	COSTAN eptarefrigeration
Manufacturer - Valmistaja - Tillverkare Produsent - Fabrikant	Epta Spa - Via Mecenate, 86 - 20138 Milano (MI) ITALIA Tel. 02/55403211 Telefax 02/55401023	7/26

 Det er forbudt å fjerne merkeskiltet på disken.

 Det er forbudt å gå opp på disken eller på diskens støtfangerlist.

 Det er forbudt å bytte ut komponenter og/eller gjøre endringer på disken utenfor produsentens spesifikasjoner. Det er også forbudt å bytte ut originale deler med deler som ikke er godkjent av produsenten. Manglende overholdelse av dette vil føre til at garantien oppheves.

EN

FI

SV

NN

DA

Model - Malli - Modell Modell - Model	GINGER - VANILLA	COSTAN eptarefrigeration
Manufacturer - Valmistaja - Tillverkare Produsent - Fabrikant	Epta Spa - Via Mecenate, 86 - 20138 Milano (MI) ITALIA Tel. 02/55403211 Telefax 02/55401023	8/26

3. GENERELL BESKRIVELSE

Åpen

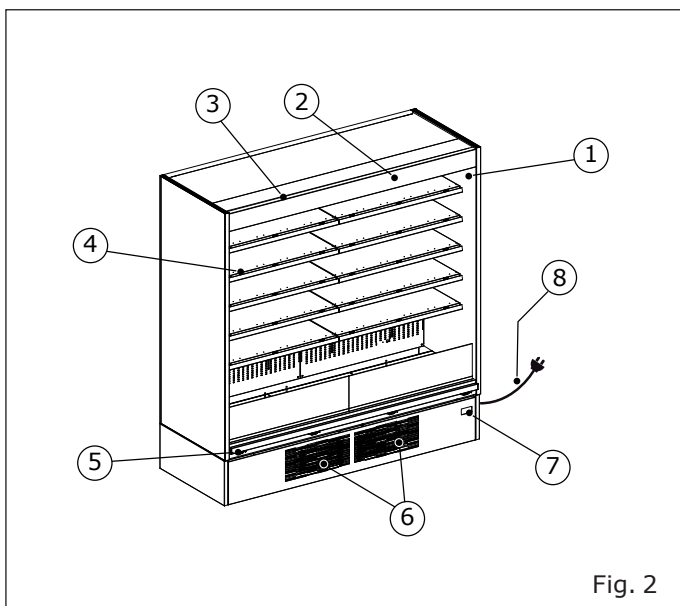


Fig. 2

1. Merkeskilt
2. Øvre belysning
3. Nattgardiner (obligatorisk)
4. Hyllebelysning
5. Støtfangerskinne
6. Kondensatorområde
7. Kontrollpanel
8. Strømledning

Lukket

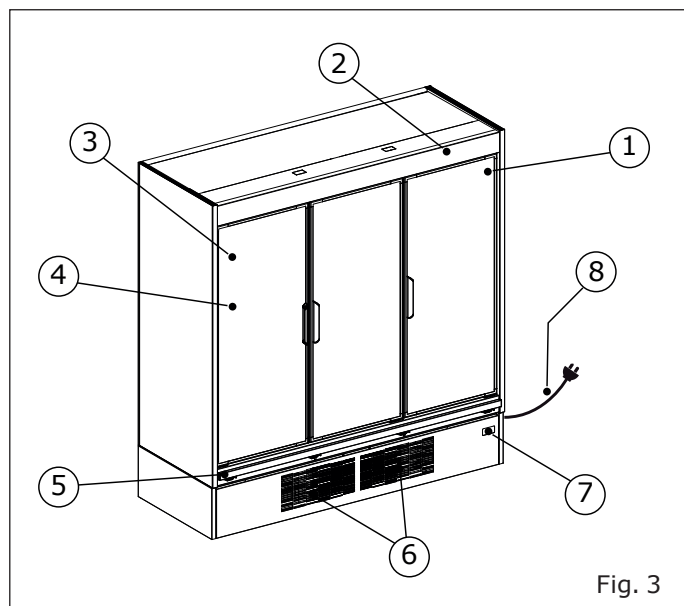


Fig. 3

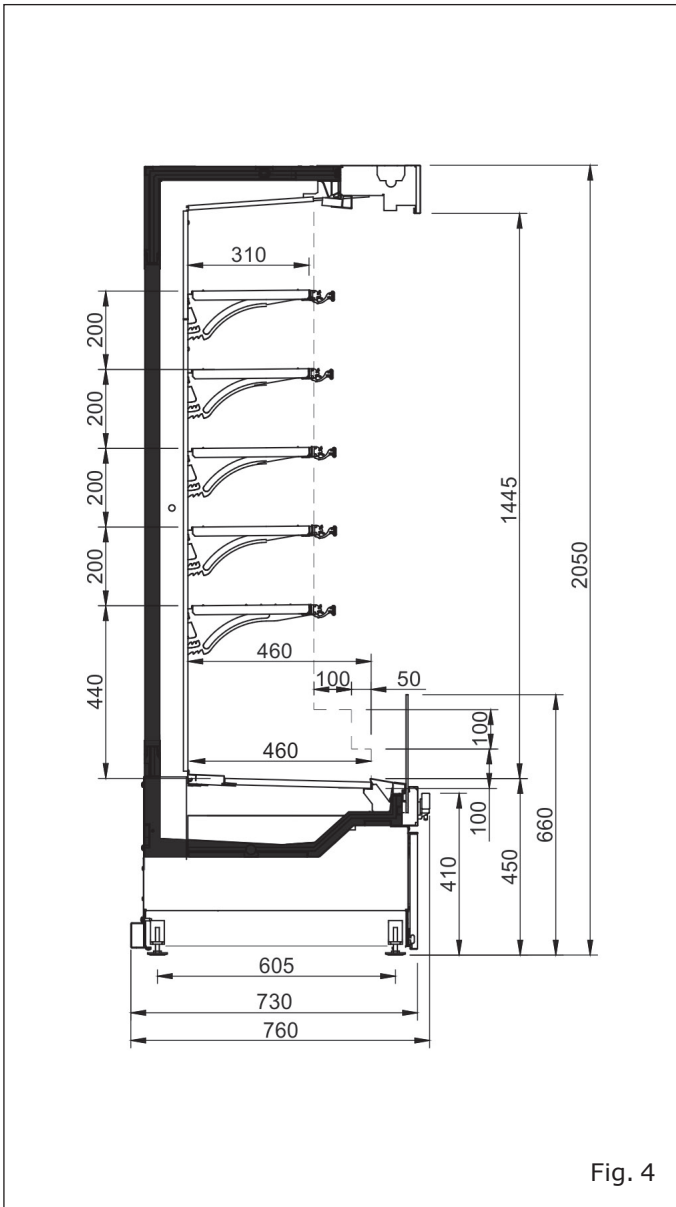
1. Merkeskilt
2. Øvre belysning
3. Glassdører
4. Hyllebelysning
5. Støtfangerskinne
6. Kondensatorområde
7. Kontrollpanel
8. Strømledning

Model - Malli - Modell Modell - Model	<h1>GINGER - VANILLA</h1>	
Manufacturer - Valmistaja - Tillverkare Produsent - Fabrikant	Epta Spa - Via Mecenate, 86 - 20138 Milano (MI) ITALIA Tel. 02/55403211 Telefax 02/55401023	9/26

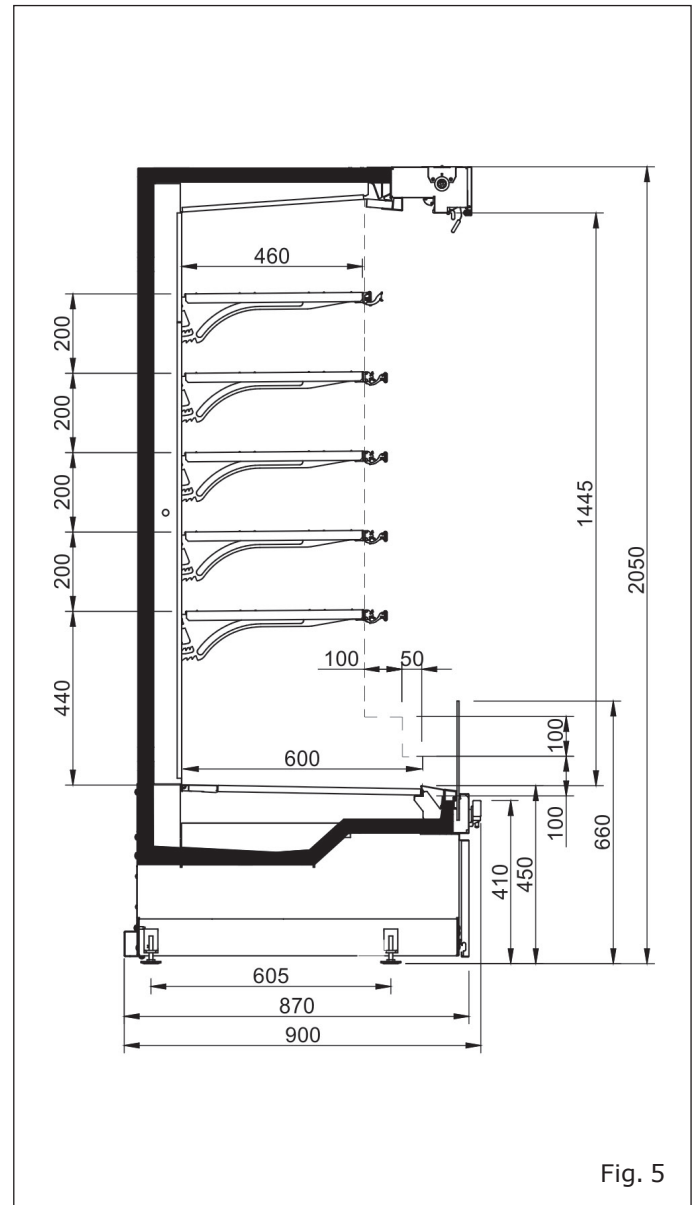
3.1 Seksjoner

Åpen

COMPACT



NARROW



EN

FI

SV

NN

DA

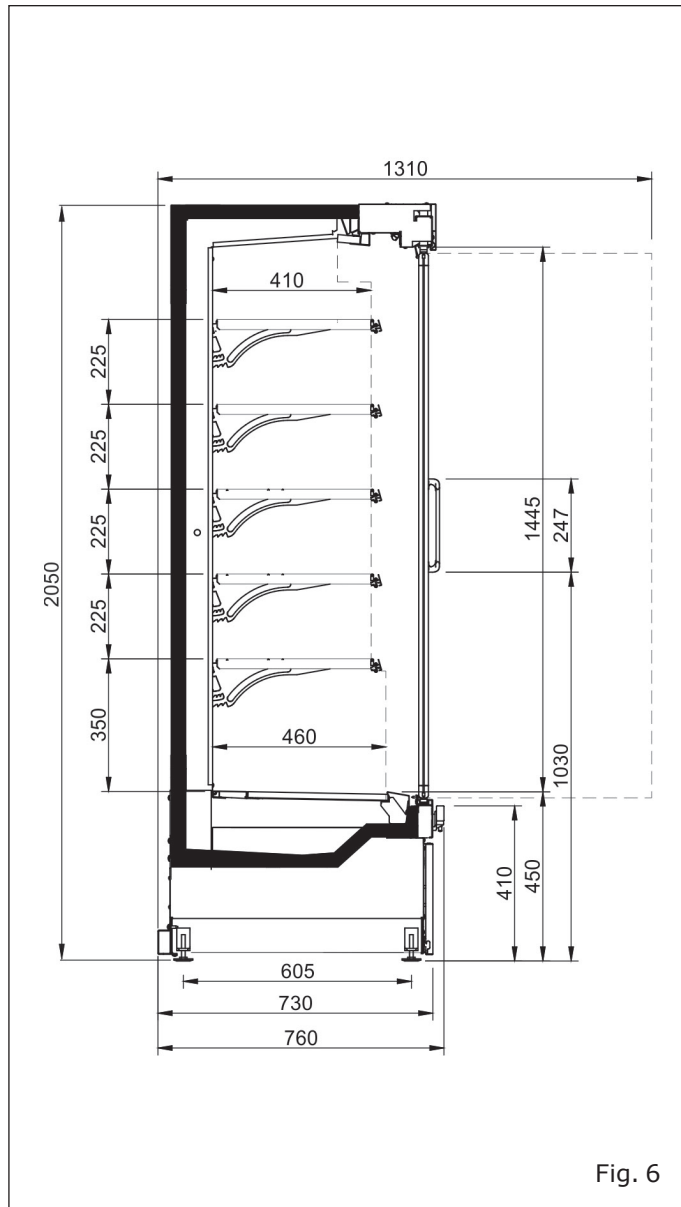
Model - Malli - Modell Modell - Model	<h1>GINGER - VANILLA</h1>	
Manufacturer - Valmistaja - Tillverkare Produsent - Fabrikant	Epta Spa - Via Mecenate, 86 - 20138 Milano (MI) ITALIA Tel. 02/55403211 Telefax 02/55401023	10/26

User manual

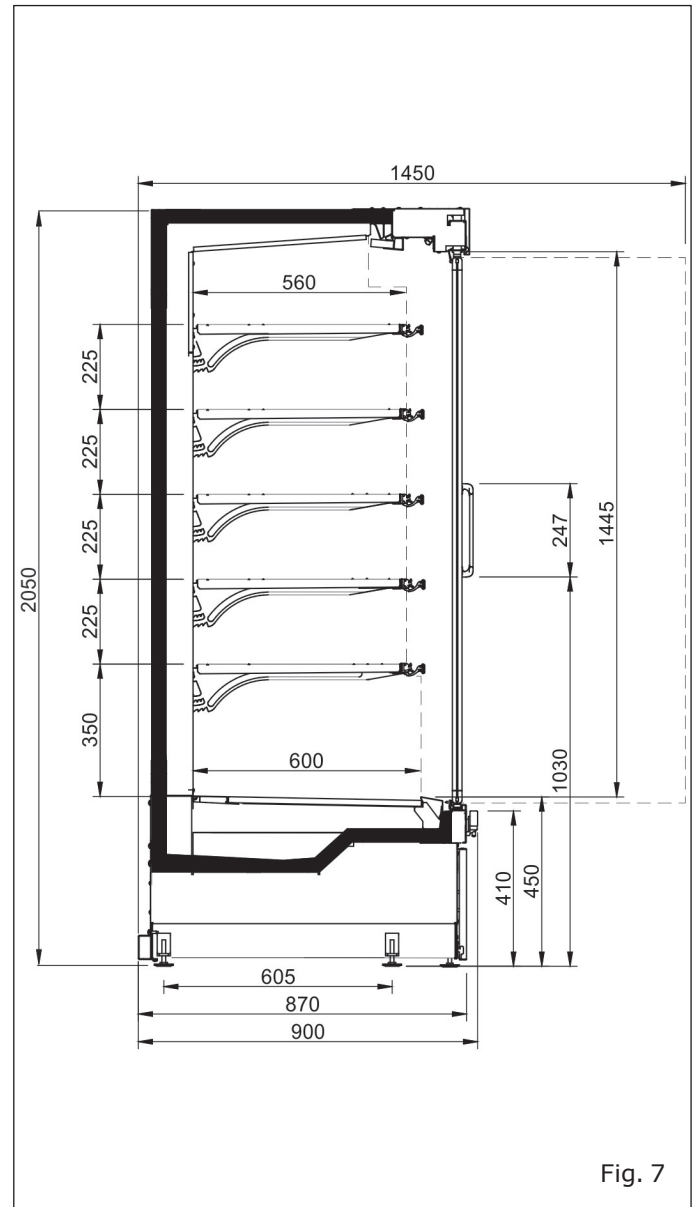
- EN
- FI
- SV
- NN**
- DA

Lukket

COMPACT

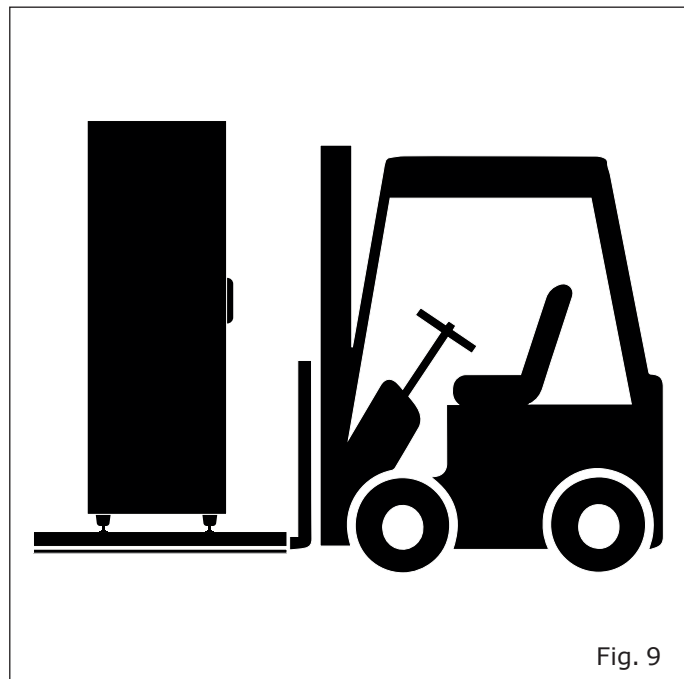
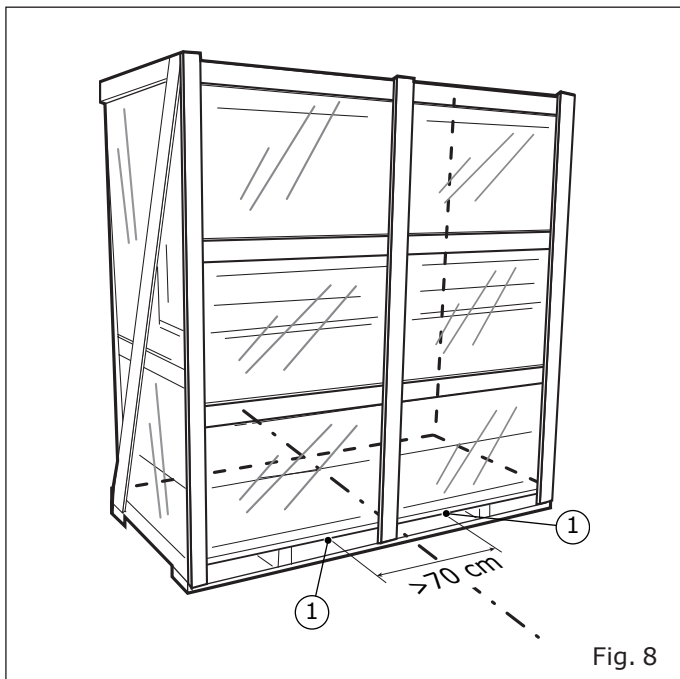


NARROW



Model - Malli - Modell Modell - Model	GINGER - VANILLA	COSTAN eptarefrigeration
Manufacturer - Valmistaja - Tillverkare Produsent - Fabrikant	Epta Spa - Via Mecenate, 86 - 20138 Milano (MI) ITALIA Tel. 02/55403211 Telefax 02/55401023	11/26

4. TRANSPORT AV DISKEN



1. Løftepunkter

Diagram I

Åpen

Høyde	Dybde	Lengde	Vekt (kg)	Vekt med emballasje (kg)
2000	Compact	937	220	240
		1250	250	270
		1875	270	290
		2500	410	430
	Narrow	937	270	290
		1250	290	310
		1875	430	450
		2500	490	510

Lukket

Høyde	Dybde	Lengde	Vekt (kg)	Vekt med emballasje (kg)
2000	Compact	937	250	270
		1250	270	290
		1875	410	430
		2500	450	470
	Narrow	937	280	300
		1250	300	320
		1875	440	460
		2500	500	520

Model - Malli - Modell Modell - Model	GINGER - VANILLA	COSTAN eptarefrigeration
Manufacturer - Valmistaja - Tillverkare Produsent - Fabrikant	Epta Spa - Via Mecenate, 86 - 20138 Milano (MI) ITALIA Tel. 02/55403211 Telefax 02/55401023	12/26

User manual

EN
FI
SV
NN
DA

5. OMGIVELSER

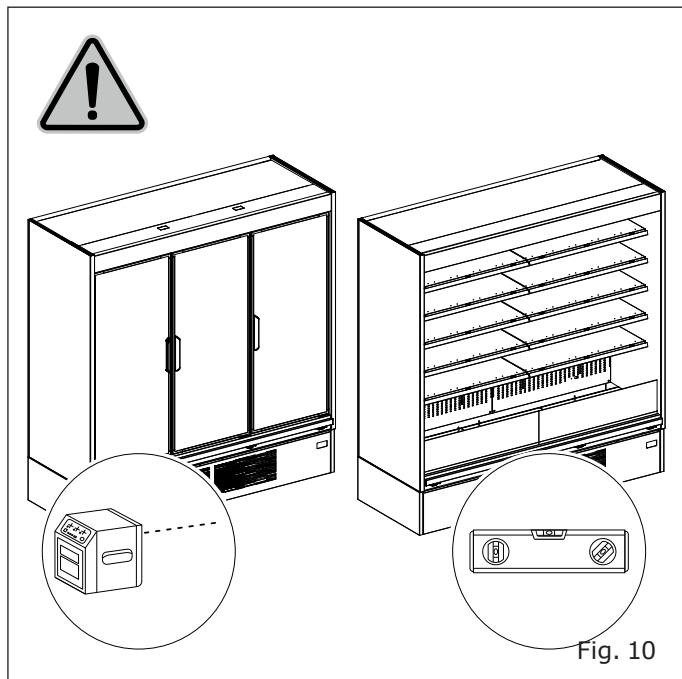


Fig. 10

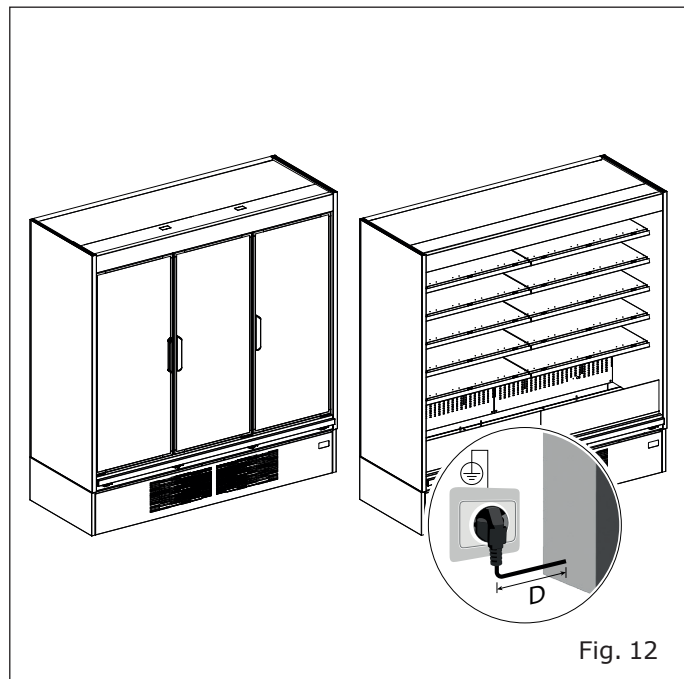


Fig. 12

D=1,5m

Diagram II

Egenskaper	
Type lokaler	Lukket
Temperatur	25°C
Relativ luftfuktighet	60 %
Belysning	600 lx

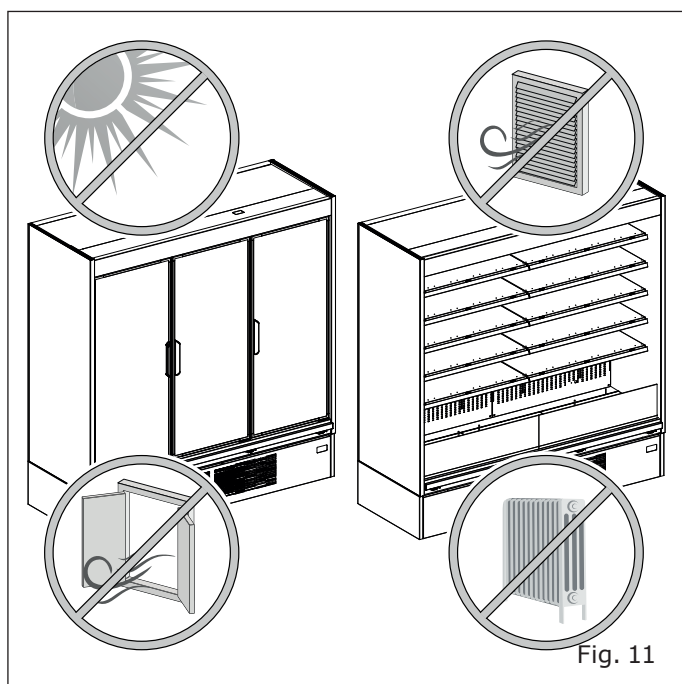
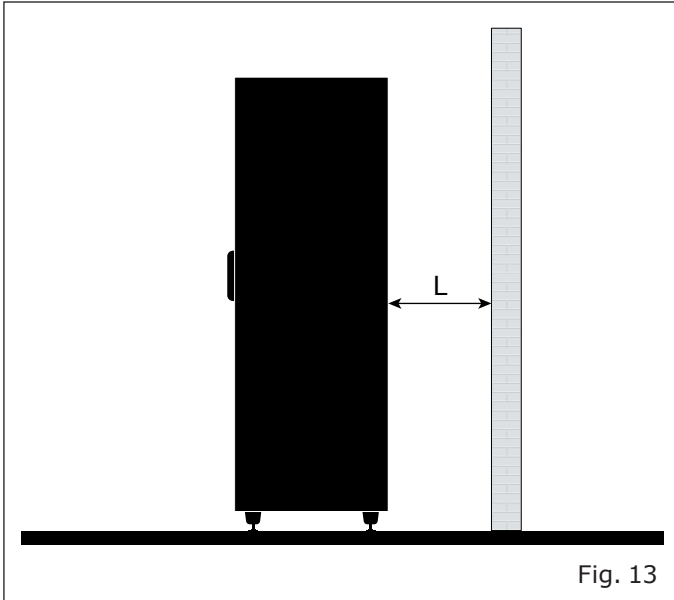


Fig. 11

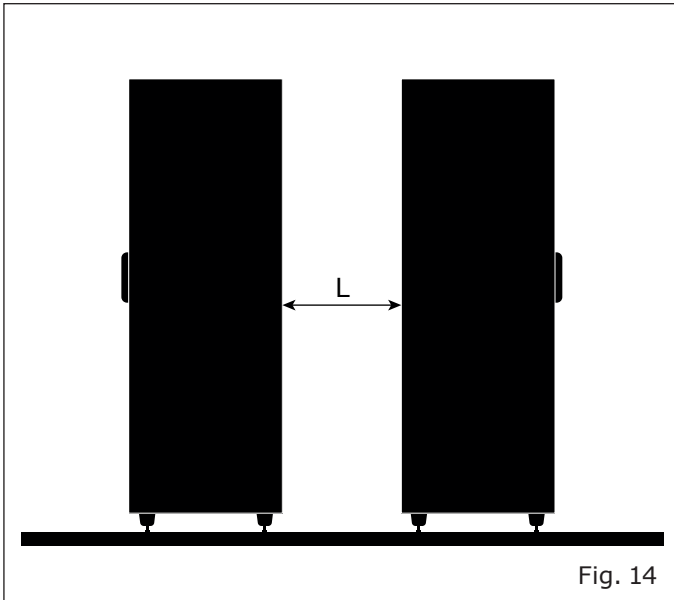
Model - Malli - Modell Modell - Model	GINGER - VANILLA	COSTAN eptarefrigeration
Manufacturer - Valmistaja - Tillverkare Produsent - Fabrikant	Epta Spa - Via Mecenate, 86 - 20138 Milano (MI) ITALIA Tel. 02/55403211 Telefax 02/55401023	13/26

Plassering inntil vegg



$L \geq 100\text{mm}$

Plassering rygg mot rygg



$L \geq 200\text{mm}$

EN

FI

SV

NN

DA

Model - Malli - Modell Modell - Model	GINGER - VANILLA	COSTAN eptarefrigeration
Manufacturer - Valmistaja - Tillverkare Produsent - Fabrikant	Epta Spa - Via Mecenate, 86 - 20138 Milano (MI) ITALIA Tel. 02/55403211 Telefax 02/55401023	14/26

User manual

6. TEKNISKE FUNKSJONER



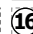





 <p>Epta S.p.A. Via Mecenate, 86 20138 Milano - Italy</p>		<div style="border: 1px dashed black; padding: 5px;"> 12 </div>	
<div style="border: 1px dashed black; padding: 5px;"> 1 2 </div>		<div style="border: 1px dashed black; padding: 5px;"> SN 13 REF 15  14  16 </div>	
<div style="border: 1px dashed black; padding: 5px;"> 3 4 </div>		<div style="border: 1px dashed black; padding: 5px;"> 17 18 </div>	
<div style="border: 1px dashed black; padding: 5px;"> 5 6 </div>		<div style="border: 1px dashed black; padding: 5px;"> 19 20 </div>	
<div style="border: 1px dashed black; padding: 5px;"> 7 8 </div>		<div style="border: 1px dashed black; padding: 5px;"> 21 </div>	
<div style="border: 1px dashed black; padding: 5px;"> 9 </div>		<div style="border: 1px dashed black; padding: 5px;"> 22 </div>	
<div style="border: 1px dashed black; padding: 5px;"> 10 </div>		<div style="border: 1px dashed black; padding: 5px;"> 23 </div>	
<div style="border: 1px dashed black; padding: 5px;">  Read Operator's Manual available at www.eptarefrigeration.com or calling: +39 0437 968379 </div>		<div style="border: 1px dashed black; padding: 5px;"> 11 24 </div>	
		  	

Fig. 15

- | | |
|--|--|
| <ol style="list-style-type: none"> 1. Produktets opprinnelse 2. Produkt i "Opprinnelsesland" 3. Nominell spenning 4. Nominell effekt 5. Nominell frekvens 6. Nominell strøm 7. Avrimingseffekt 8. Avrimingsstrøm 9. Varmesystem 10. Belysningssystem 11. Operatørhåndbok 12. Strekkode | <ol style="list-style-type: none"> 13. Serienummer 14. Produksjonsdato 15. Hat Code 16. Modell 17. Type kjølemiddel 1 18. Kjølemiddelmasse 1 19. Type kjølemiddel 2 20. Kjølemiddelmasse 2 21. Klimaklasse 22. Isolering av gass 23. Beskyttelsesindeks 24. Sertifiseringsmerker |
|--|--|



Advarsel: Den inneholder brannfarlig kjølegass.

Model - Malli - Modell Modell - Model	GINGER - VANILLA	COSTAN <small>eptarefrigeration</small>
Manufacturer - Valmistaja - Tillverkare Produsent - Fabrikant	Epta Spa - Via Mecenate, 86 - 20138 Milano (MI) ITALIA Tel. 02/55403211 Telefax 02/55401023	15/26

Diagram III

Åpen

Menge kjølemiddel R290 (g)			
Dybde	Modell	Krets A	Krets B
Compact	937	120	-
	1250	145	-
	1875	125	125
	2500	150	150
Narrow	937	120	-
	1250	145	-
	1875	125	125
	2500	150	150

Lukket

Menge kjølemiddel R290 (g)			
Dybde	Modell	Krets A	Krets B
Compact	937	140	-
	1250	140	-
	1875	140	-
	2500	150	-
Narrow	937	140	-
	1250	140	-
	1875	140	-
	2500	150	-

EN

FI

SV

NN

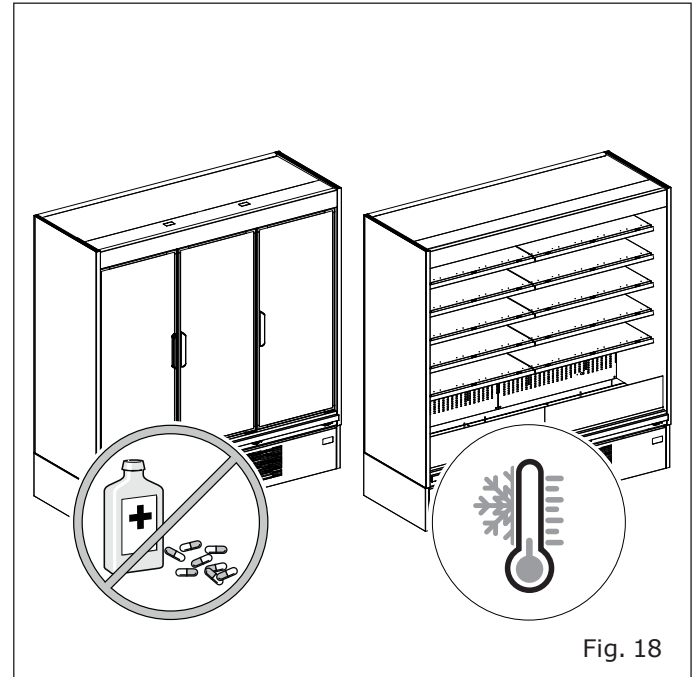
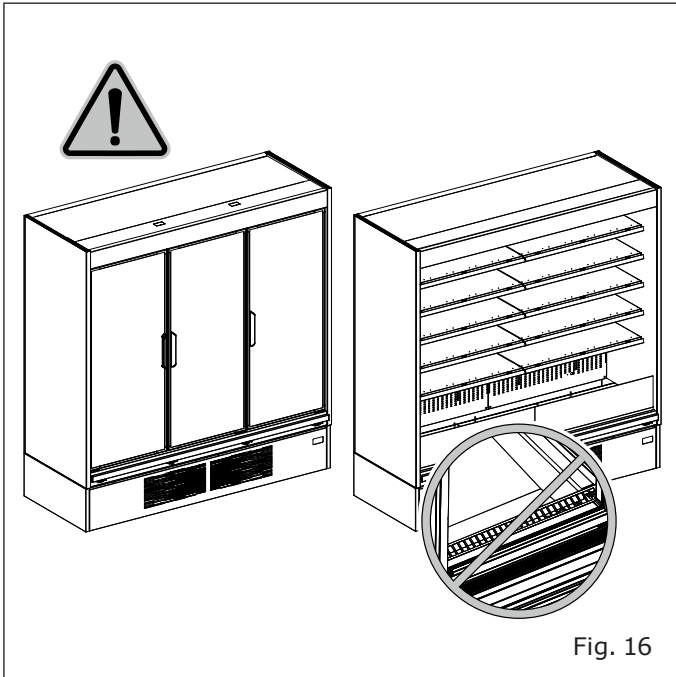
DA

Model - Malli - Modell Modell - Model	<h1>GINGER - VANILLA</h1>	
Manufacturer - Valmistaja - Tillverkare Produsent - Fabrikant	Epta Spa - Via Mecenate, 86 - 20138 Milano (MI) ITALIA Tel. 02/55403211 Telefax 02/55401023	16/26

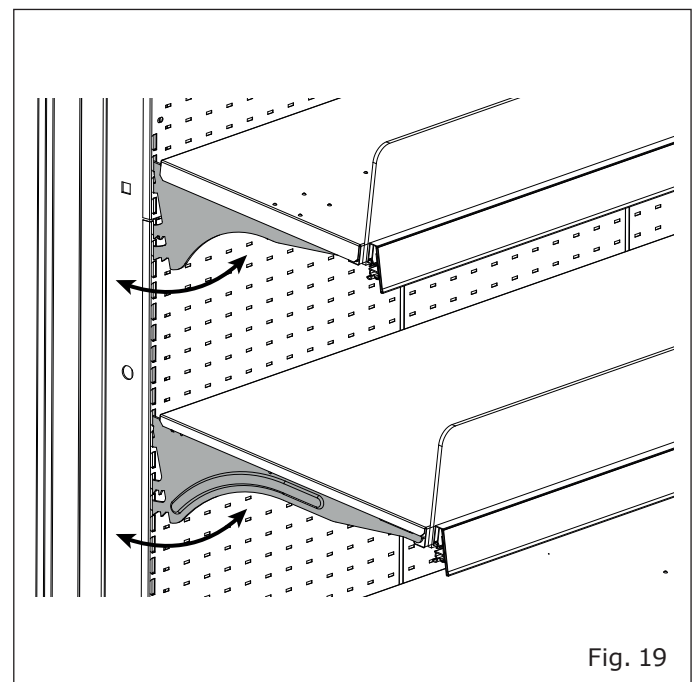
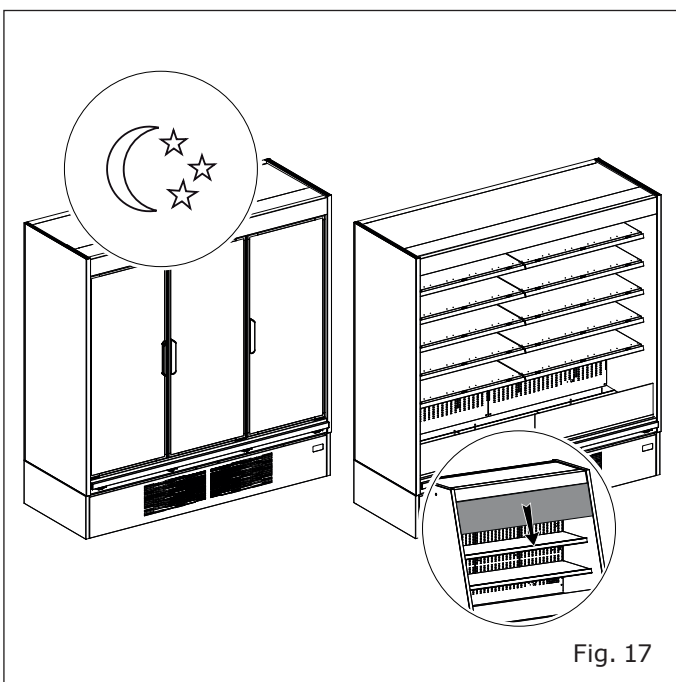
User manual

- EN
- FI
- SV
- NN
- DA

7. BRUK AV DISKEN

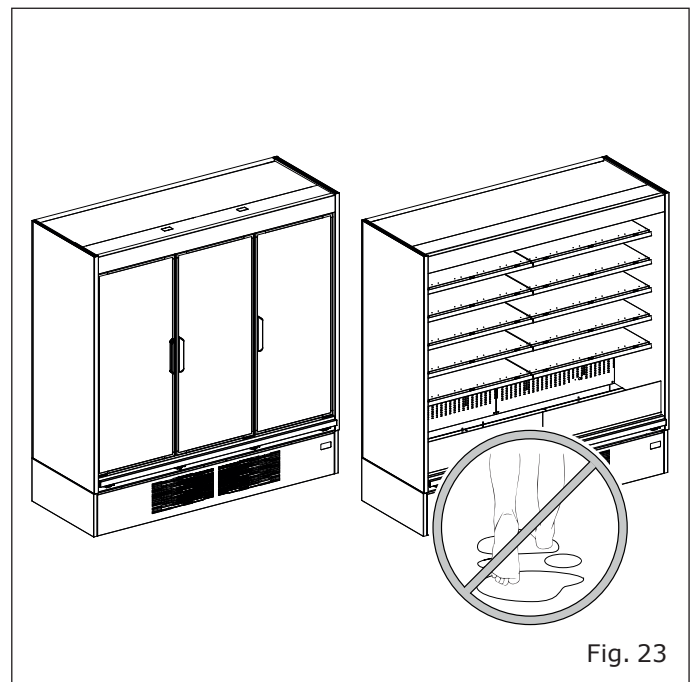
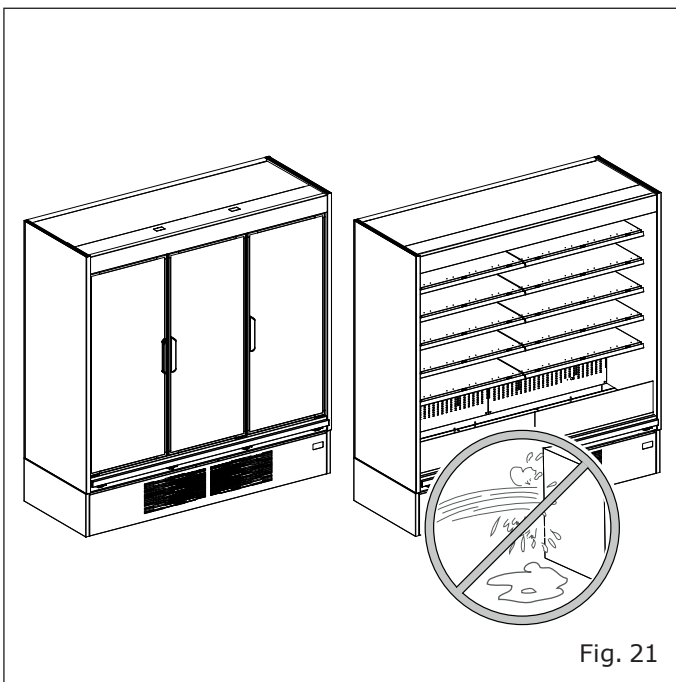
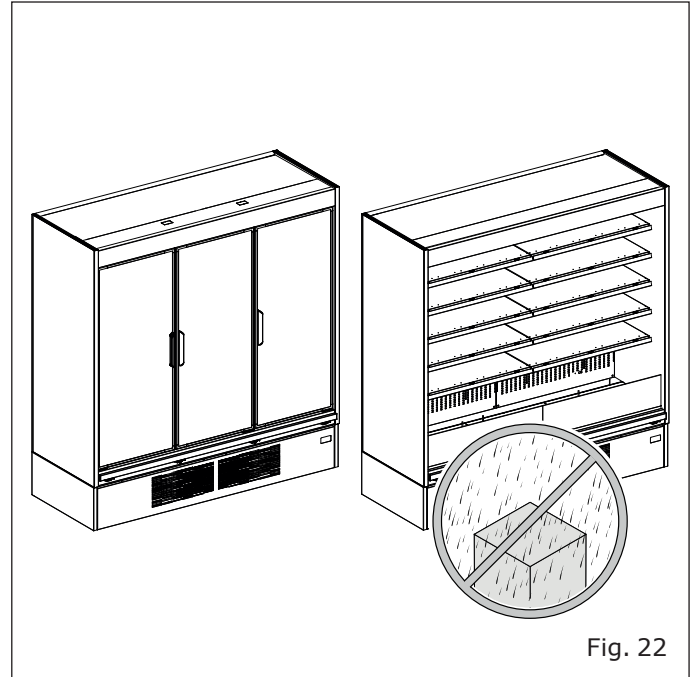
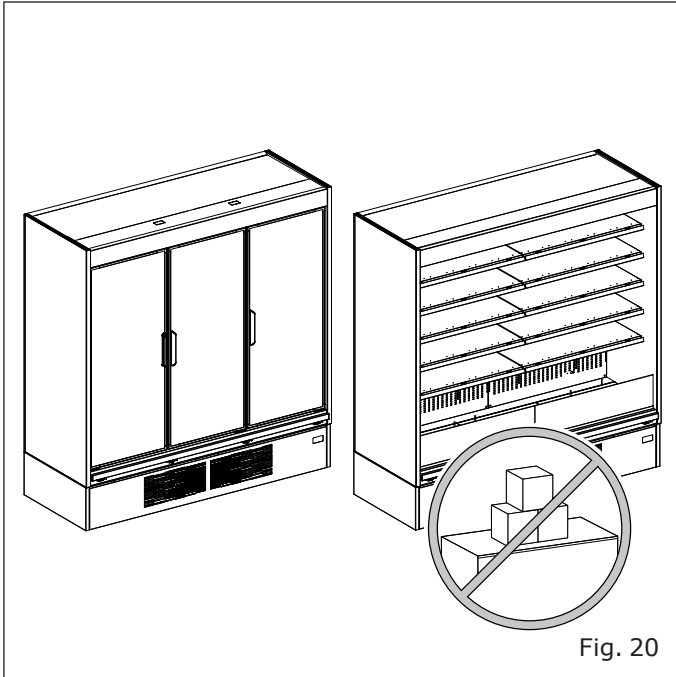


 Ikke dekk den til



Helling på hyllene: 0° - 7° - 14° - 21°

Model - Malli - Modell Modell - Model	<h1>GINGER - VANILLA</h1>	
Manufacturer - Valmistaja - Tillverkare Produsent - Fabrikant	Epta Spa - Via Mecenate, 86 - 20138 Milano (MI) ITALIA Tel. 02/55403211 Telefax 02/55401023	17/26



EN

FI

SV

NN

DA

Model - Malli - Modell Modell - Model	<h1>GINGER - VANILLA</h1>	
Manufacturer - Valmistaja - Tillverkare Produsent - Fabrikant	Epta Spa - Via Mecenate, 86 - 20138 Milano (MI) ITALIA Tel. 02/55403211 Telefax 02/55401023	18/26

EN

8. ORDINÆRT VEDLIKEHOLD

FI

8.1 Rengjøring av disken

SV

NN

DA

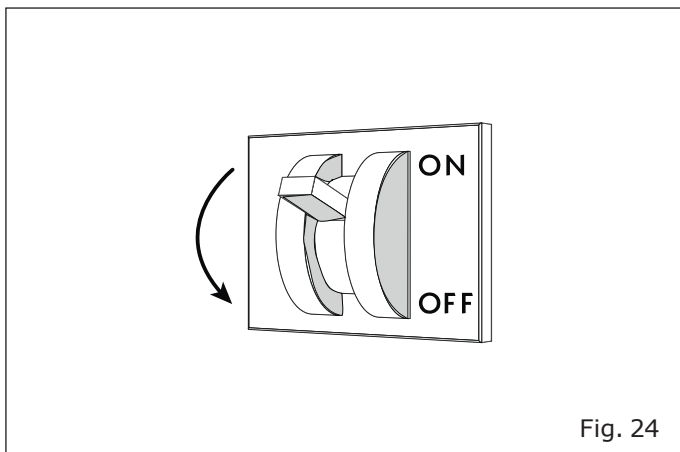


Fig. 24

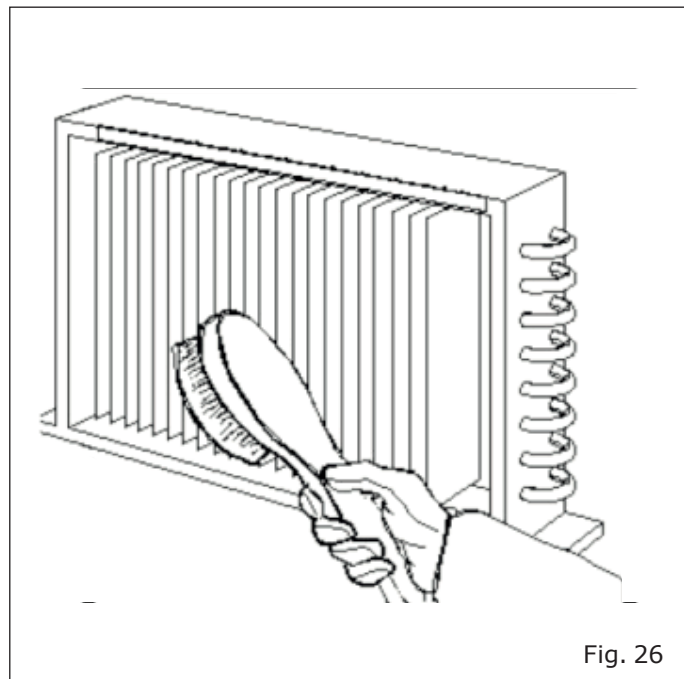


Fig. 26

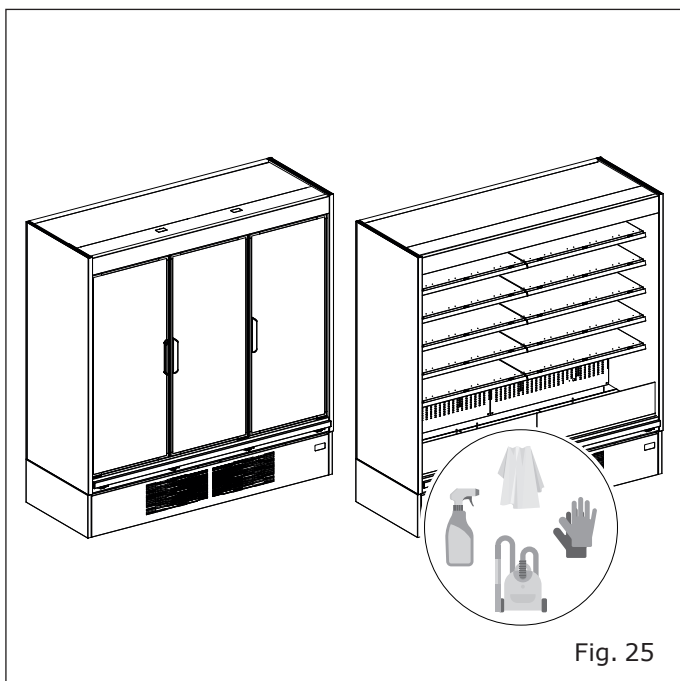


Fig. 25



Fig. 27

Model - Malli - Modell Modell - Model	GINGER - VANILLA	COSTAN eptarefrigeration
Manufacturer - Valmistaja - Tillverkare Produsent - Fabrikant	Epta Spa - Via Mecenate, 86 - 20138 Milano (MI) ITALIA Tel. 02/55403211 Telefax 02/55401023	19/26

9. HYLLEKONFIGURASJON

Diagram IV

Hyllekonfigurasjon med enkel dybde	
COMPACT	NARROW
N x 310	N x 310
N x 360	N x 360
-	N x 410
-	N x 460

N = Antall hyllenivåer

EN

FI

SV

NN

DA

Model - Malli - Modell Modell - Model	GINGER - VANILLA	COSTAN eptarefrigeration
Manufacturer - Valmistaja - Tillverkare Produsent - Fabrikant	Epta Spa - Via Mecenate, 86 - 20138 Milano (MI) ITALIA Tel. 02/55403211 Telefax 02/55401023	20/26

10. BRUKERINDIKASJONER

10.1 Beskrivelse av disken

Denne kjøledisken er konstruert og produsert utelukkende for utstilling av ferskpakkede matvarer, drikkevarer og meieriprodukter.

TEMPERATURKLASSE (i henhold til EN ISO 23953-2):

- Åpen 3M1
- Lukket 3M0

De generelle egenskapene og dimensjonene er illustrert i figurene og avsnittene i: "Generell beskrivelse" (fra side "8" til side "10").

Under transport, håndtering, mottak, oppbevaring, installasjon, vareplassering, bruk, rengjøring, vedlikehold og demontering må du være oppmerksom på risikoen for at disken kan velte. ("Fig. 28").

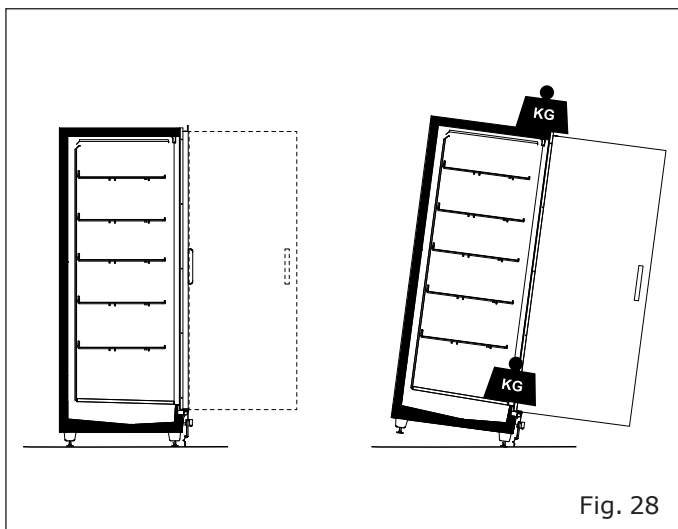


Fig. 28

10.2 Transport og håndtering

Disken er plassert i en spesiell emballasje som er utstyrt med en plattform for håndtering med gaffeltruck.

Ved transport og håndtering av disken:

- Bruk utelukkende den dedikerte plattformen eller en tilsvarende plattform.
- Bruk en manuell eller elektrisk gaffeltruck som er egnet til å løfte disken, og som har egenskaper som er i samsvar med gjeldende standarder.

Vekten av disken (tom og med emballasje) og emballasjens dimensjoner vises i: "Transport av disken" (i diagrammet "Diagram I" og i figurene på side "11").

Håndteringen må utføres av kvalifisert personale som er i stand til å vurdere vekt, løftepunkter og de mest passende hjelpemidlene med tanke på sikkerhet og kapasitet.

10.3 Mottak og oppbevaring

Kontroller emballasjens tilstand før du tar imot disken fra transportøren.

Hvis det er åpenbare skader på emballasjen:

- Fjern emballasjen fra disken i transportørens nærvær.
- Signer leveringsdokumentet med forbehold.

Produsenten kan ikke holdes ansvarlig for eventuelle skader som skyldes transport eller feilaktig oppbevaring av disken.

Disken må oppbevares på et sted som er beskyttet mot sol og vær, med en temperatur på mellom -25°C og +55°C og en relativ luftfuktighet på mellom 30% og 95%.

Model - Malli - Modell Modell - Model	GINGER - VANILLA	
Manufacturer - Valmistaja - Tillverkare Produsent - Fabrikant	Epta Spa - Via Mecenate, 86 - 20138 Milano (MI) ITALIA Tel. 02/55403211 Telefax 02/55401023	21/26

10.4 Installasjon og omgivelser

Disken er ikke konstruert for å installeres utendørs.

For at disken skal fungere korrekt, må du sørge for at den er riktig plassert:

- På et flatt gulv. ("Fig. 10").
- På avstand fra varmekilder, direkte sollys, dører, vinduer, vifter og ventilasjonsåpninger. ("Fig. 11").

Sørg for nødvendig plass for kundens bruk av disken.

Omgivelsene som disken skal plasseres i, er beskrevet i: "Omgivelser" (i diagrammet "Diagram II", Pag."12").

10.5 Elektriske koblinger

En omnipolar frakoblingsbryter må installeres oppstrøms for disken. Denne må ha:

- En minimumsavstand mellom kontaktene på 3 mm.
- Tilstrekkelig bryteeffekt.

Frakoblingsbryteren må plasseres slik at den er lett å betjene i nødsituasjoner (maksimal avstand på 3 m).

Før du kobler til disken, må du kontrollere at forsyningsspenningen stemmer overens med opplysningene på merkeskiltet på disken. For å garantere jevn drift må den maksimale spenningsvariasjonen ligge mellom +/- 6% av den nominelle verdien.

10.6 Tekniske funksjoner

Merkeskiltet viser de spesifikke tekniske dataene for disken. Skiltets plassering og typen data vises i: "Tekniske funksjoner" ("Fig. 15"). Koblingsskjemaer, kalibreringslister for kontrollinstrumenter, installasjonsinstruksjoner og en kopi av samsvarserklæringen er tilgjengelig på nettstedet <https://documents.eptarefrigeration.com>.

Lydtrykknivået som genereres ved bruk av disken, er lavere enn 70 dB(A). Disken avgir ikke skadelige vibrasjoner.

10.7 Plassering av produkter

Slå på strømmen til disken for å starte kjølesyklusen ved å trykke på hovedbryteren som er montert på veggen. Etter omtrent 2 timer kan

det plasseres produkter i disken.

Disken er konstruert for å opprettholde temperaturen på matvarene og ikke senke den. Matvarene må derfor bare plasseres i disken hvis de allerede er avkjølt til de respektive oppbevaringstemperaturene. Produkter som er oppvarmet, må aldri plasseres i disken.

Hvis det er glassfronter på disken, anbefales det å plassere varene når det ikke er noen kunder i salgsområdet.

Sørg for følgende ved plassering av varene:

- Varene bør være homogene når det gjelder dimensjoner og kvaliteten på produktene.
- Varene må ikke blokkere korrekt kjøleluftstrøm ("Fig. 16")
- Varene må ikke være høyere enn lastelinjen.

Jevnt fordelt maksimalt tillatt belastning:

- På nedre nivå: 225 kg/m²
- På hyllene: 140 kg/m²

Model - Malli - Modell Modell - Model	GINGER - VANILLA	COSTAN eptarefrigeration
Manufacturer - Valmistaja - Tillverkare Produsent - Fabrikant	Epta Spa - Via Mecenate, 86 - 20138 Milano (MI) ITALIA Tel. 02/55403211 Telefax 02/55401023	22/26

User manual

10.8 Bruk av disken

Termostat/termometer

En ekstern termostat og et termometer er plassert nederst til høyre på disken for å kontrollere temperaturen. ("Fig. 2", "Fig. 3"). Den eksterne termostaten viser den eksisterende temperaturen i diskhuset, og temperaturen styres ved hjelp av de dedikerte knappene.

Konfigurasjon og helling på utstillingshyllene

For å sikre den ytelsen som disken er konstruert for, må hyllene plasseres i disken i henhold til oppsettet som beskrives nedenfor. (i diagrammet "Diagram IV" til side "19"). Ved å variere hyllenes koblingsposisjon i forhold til de bakre stolpene i disken, kan man velge 4 ulike hellinger ("Fig. 19").



Bruk nattdeksler eller nattgardiner, hvis dette er installert, i stengetiden. ("Fig. 17").

10.9 Rengjøring og ordinært vedlikehold

Det anbefales god sikt i intervensjonsområdet, eventuelt ved hjelp av en ekstra lyskilde.

Rengjøring av disken

Bruk kun vann med en temperatur på maksimalt 65°C og såpe eller nøytralt vaskemiddel fortynnet med vann.

Bruk aldri følgende:

- Slipende svamper.
- Brannfarlige eller slipende produkter som alkohol, aceton eller løsemidler.
- Vaskemidler som inneholder ikke-ioniske tensider, sitron eller eddik (eddiksyre).



Ikke vask eller rengjør den øverste delen av disken med vann eller væsker.

Rengjør alle utvendige deler av disken **ÉN GANG I UKEN**.

Rengjør alle innvendige deler av disken **ÉN GANG I MÅNEDEN** ved å følge instruksjonene nedenfor:

- Koble fra strømforsyningen til disken ved hjelp av den veggmonterte hovedbryteren. ("Fig. 24").
- Tøm disken, og oppbevar varene i kjølerom eller kjøleskap for å opprettholde oppbevaringstemperaturen.
- Vent til temperaturen i disken har nådd omgivelsestemperatur, og rengjør deretter.
- Etter å ha kontrollert nøye at innsiden av disken er helt tørr, starter du disken på nytt ved å slå på strømmen.
- Etter et par timer kan du laste inn varene igjen.

Model - Malli - Modell Modell - Model	GINGER - VANILLA	COSTAN eptarefrigeration
Manufacturer - Valmistaja - Tillverkare Produsent - Fabrikant	Epta Spa - Via Mecenate, 86 - 20138 Milano (MI) ITALIA Tel. 02/55403211 Telefax 02/55401023	23/26

Når du tar disken ut av drift, kobler du fra strømmen og følger fremgangsmåten ovenfor. La dørene stå åpne (utstyrsavhengig) for å unngå lukt.

Avrim disken **HVER TREDJE MÅNED** for å smelte isen som kan ha dannet seg på kjøleribbene, og som kan forhindre korrekt drift. Avrimingens varighet reguleres direkte fra fabrikken. Eventuelle justeringer er forbeholdt den tekniske serviceavdelingen. Avrimingsvannet samles opp av et spesialavløp og ledes til en oppsamlingsskål som er plassert i bunnen av disken. Kontroller med jevne mellomrom at avrimingsvannet renner ut normalt. Hvis ikke, må du gripe inn umiddelbart ved hjelp av en fleksibel sonde uten spiss. Følg anvisningene for å rengjøre de innvendige delene **MÅNEDLIG**, men i dette tilfellet må du regne med lengre ventetid for å la isen smelte helt.

Rengjør spesielt kondenseringsenheten minst hver 30. dag med en hard metallbørste for å fjerne støv og smuss fra ribbene. En skitten kondenseringsenhet kjøler mindre, noe som fører til sløsing med energi og dårlig ytelse. Bruk slitesterke hansker ved rengjøring av kondenseringsenheten.



Kun lukket modell

Kondensatoren er en selvrensende veggmodell som ikke krever rutinemessig vedlikehold. Av hensyn til sikkerheten må imidlertid enheten rengjøres **HVERT ANDRE ÅR** ved å blåse luft gjennom en trykkluftpumpe for å fjerne eventuelle rester eller oppsamlet støv ("Fig. 27").

10.10 Nødsituasjoner

Disken starter ikke eller den stopper:

- Kontroller at det ikke har oppstått strømbrudd.
- Kontroller at hovedstrømbryteren på veggen er på.
- Kontroller at diskens støpsel er satt inn i stikkkontakten.

Hvis strømbruddet ikke skyldes disse forholdene, må du kontakte nærmeste autoriserte servicesenter, tømme disken helt for varer og umiddelbart oppbevare varene i kjølerom eller kjøleskap som kan opprettholde oppbevaringstemperaturen.

Disken kjøler ikke tilstrekkelig:

- Kontroller at kondenseringsenheten er ren og i stand til å utføre varmevekslingsfunksjonen. Rengjør grundig hvis ribbene er blokkert.
- Kontroller at varene er korrekt plassert i disken.
- Avrim disken hvis denne operasjonen ikke har blitt utført på mer enn tre måneder, og gjenoppta deretter normal drift.
- Kontroller at disken ikke står i nærheten av varmekilder eller luftstrømmer.
- Kontroller omgivelsene; referanseverdiene finnes i: "Omgivelser" ("Diagram II", Pag."12").
- Kontroller at disken er i vater ved hjelp av et vaterpass.

Hvis kjølesvikten vedvarer, må du kontakte nærmeste autoriserte servicesenter.

EN

FI

SV

NN

DA

Model - Malli - Modell Modell - Model	GINGER - VANILLA	COSTAN eptarefrigeration
Manufacturer - Valmistaja - Tillverkare Produsent - Fabrikant	Epta Spa - Via Mecenate, 86 - 20138 Milano (MI) ITALIA Tel. 02/55403211 Telefax 02/55401023	24/26

User manual

EN
FI
SV
NN
DA

Disken avgir støy:

- Kontroller at skruer og bolter er godt tilstrammet.
- Kontroller at disken er i vater ved hjelp av et vaterpass.

Hvis problemet vedvarer, må du kontakte nærmeste autoriserte servicesenter.

10.11 Teknisk assistanse

Ved behov for teknisk assistanse, ta umiddelbart kontakt med leverandøren som disken er kjøpt fra.

Hvis du har behov for reservedeler, må du alltid henvende deg til teknisk assistanse. Still spørsmål og sørg for at det brukes originale reservedeler.

10.12 Demontering og avhending

I samsvar med gjeldende regler for avfallshåndtering i de enkelte landene og for å respektere miljøet vi lever i, ber vi deg om å skille delene av disken fra hverandre slik at de kan kastes separat eller, om nødvendig, gjenvinnes på riktig måte.

Ikke alle deler av disken anses som kommunalt avfall, med unntak av metalledene, som uansett ikke regnes som spesialavfall i de fleste europeiske land.



Kjølesystemet er under høyt trykk. Kontakt fagpersonell før du avhender det.

Komponentene i kjølekretsen må ikke kuttes og/eller skilles fra hverandre før kretsen er utladet, og gjenvinning av kjølegass må utføres av kvalifisert personell.

Model - Malli - Modell Modell - Model	GINGER - VANILLA	COSTAN eptarefrigeration
Manufacturer - Valmistaja - Tillverkare Produsent - Fabrikant	Epta Spa - Via Mecenate, 86 - 20138 Milano (MI) ITALIA Tel. 02/55403211 Telefax 02/55401023	25/26

11. YTTERLIGERE GENERELLE ADVARSLER

Instruksjoner for korrekt installasjon og vedlikehold

Instruksjoner for bruk og vedlikehold finnes i brukerhåndboken som er tilgjengelig på nettstedet:

www.eptarefrigeration.com.

Installasjonsinstruksjonene som er beregnet på fagpersonell, er tilgjengelige:

- Via servicenettverket.
- For enkelte produktkategorier leveres installasjonsinstruksjonene i papirformat sammen med produktet.

Profesjonelle reparasjonstjenester

Tjenestene leveres av servicenettverket vårt, som du finner i kontaktområdet på nettadressen www.eptarefrigeration.com.

Reservedeler

Reservedeler og informasjon om reparasjon av disken er tilgjengelig i minst 8 år etter at produktet er erklært utgått av produksjon, på følgende nettadresse: www.epta-service.com/service.

Påloggingsinformasjon kan fås på forespørsel via e-post til: servicesupport@eptarefrigeration.com.

Rengjøring av luftkondensatoren

De innebygde apparatene med luftkondensering opprettholder bare effektiviteten hvis kondensatoren rengjøres ved hjelp av metodene og på tidspunktene som er angitt i bruker- og vedlikeholdshåndboken.

Viktig informasjon om matavfall

Vi anbefaler at du nøye følger oppbevaringsinstruksjonene som er angitt på emballasjen til produktene, og instruksjonene fra matvareprodusentene.

Temperaturinnstillingene må følgelig være tilpasset matvarens holdbarhetsegenskaper, i samsvar med anvisningene i den tekniske dokumentasjonen vår.

Feil bruk kan føre til forringelse.

Omgivelser

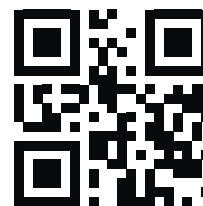
Denne disken er beregnet på å fungere i omgivelser der temperaturen og luftfuktigheten ligger innenfor grensene som er angitt i bruker- og vedlikeholdshåndboken.

Instruksjoner for demontering

Kontakt profesjonelle operatører for å få utført demontering.

Epta Group, som har et sterkt fokus på miljøet, gjør håndbøkene for demontering og avfallshåndtering tilgjengelige for brukerne. Håndbøkene kan lastes ned nedenfor.

- Gå til nettstedet www.costan.com.



- Gå til **det tekniske området** for disken.

Annen informasjon

For ytterligere og mer detaljert informasjon, se www.eptarefrigeration.com og EPREL, som du får tilgang til via QR-koden her eller på energimerket på produktet.



Model - Malli - Modell Modell - Model	GINGER - VANILLA	COSTAN <small>eptarefrigeration</small>
Manufacturer - Valmistaja - Tillverkare Produsent - Fabrikant	Epta Spa - Via Mecenate, 86 - 20138 Milano (MI) ITALIA Tel. 02/55403211 Telefax 02/55401023	26/26

User manual

EN

Bruksbegrensninger



Denne disken er konstruert for bruk, transport og oppbevaring av matvarer opptil en maksimal høyde på 2000 m over havet.

FI

SV

NN

DA

Oppbevaring:

- Temperatur mellom 15°C og 50°C
- Relativ luftfuktighet mellom 20% og 90%
- Maksimal tid: 6 måneder

Transport:

- Temperatur mellom 20°C og 70°C
- Relativ luftfuktighet mellom 20% og 90%
- Maksimal tid: 2 måneder

Installasjon:

- Temperatur mellom 0°C og 40°C
- Relativ luftfuktighet mellom 20% og 90%
- Maksimal tid: 2 måneder

Bruk:

Diskens ytelse garanteres ikke utenfor normal bruk.

Dens integritet og sikkerhet garanteres innenfor følgende grenser under midlertidige forhold.

Miljøet utenfor disken:

- Fra klasse 1 (16°C / 80%rh) til klasse 4 (30°C / 55%rh) eller klasse 6 (27°C / 70%rh)

Miljøet inne i disken (forhold for elektrisk sikkerhet):

Disk med positiv temperatur

- Temperatur mellom -10°C og +10°C
- Relativ luftfuktighet mellom 70% og 100%
- Maksimal tid: 10 år

Disk med negativ temperatur

- Temperatur mellom -40°C og 15°C
- Relativ luftfuktighet mellom 90% og 100%
- Maksimal tid: 10 år



Under drift kan varmeelementene lokalt registrere temperaturer som er høyere enn de nevnte grenseverdiene, men alltid med full overholdelse av sikkerhetsforskriftene.

Model - Malli - Modell Modell - Model	GINGER - VANILLA	COSTAN <small>eptarefrigeration</small>
Manufacturer - Valmistaja - Tillverkare Produsent - Fabrikant	Epta Spa - Via Mecenate, 86 - 20138 Milano (MI) ITALIA Tel. 02/55403211 Telefax 02/55401023	2/26

User manual

INDHOLD

1.	Indledning	3
2.	Sikkerhedsadvarsler	4
2.1	Advarsler for de apparater, der bruger R290 (propan)	4
2.2	Generelle advarsler	4
2.3	Advarsler for vedligeholdelse af skabet	5
2.4	Elektriske advarsler	6
2.5	Forbud	6
3.	Generel beskrivelse	8
3.1	Sektioner	9
4.	Transport af skabet	11
5.	Omgivende forhold	12
6.	Tekniske funktioner	14
7.	Brug af skabet	16
8.	Almindelig vedligeholdelse	18
8.1	Rengøring af skabet	18
9.	Hylde konfiguration	19
10.	Brugerindikationer	20
10.1	Beskrivelse af skabet	20
10.2	Transport og håndtering	20
10.3	Modtagelse og opbevaring	20
10.4	Installation og omgivende forhold	21
10.5	Elektrisk tilslutning	21
10.6	Tekniske funktioner	21
10.7	Fyld produktet	21
10.8	Brug af skabet	22
10.9	Rengøring og almindelig vedligeholdelse	22
10.10	Nødsituationer	23
10.11	Teknisk assistance	24
10.12	Demontering og fjernelse	24
11.	Supplerende generelle advarsler	25

SYMBOLER BRUGT



Forbudssymbol: det forbyder udførelse af specifikke operationer.



Opmærksomhedssymbol: regler for forebyggelse af ulykker for operatøren.



Advarselssymbol: der er mulighed for at beskadige kabinettet og/eller dets komponenter.



Bemærk symbol: det giver nyttige oplysninger.

Model - Malli - Modell Modell - Model	GINGER - VANILLA	COSTAN eptarefrigeration
Manufacturer - Valmistaja - Tillverkare Produsent - Fabrikant	Epta Spa - Via Mecenate, 86 - 20138 Milano (MI) ITALIA Tel. 02/55403211 Telefax 02/55401023	3/26

1. INDLEDNING

Det anbefales at læse indholdet af denne manual grundigt og opbevare den sammen med kabinettet.

Producenten kan ikke holdes ansvarlig for skader forårsaget af personer eller ting på grund af manglende overholdelse af advarslerne i denne manual.



Manualen indeholder oplysninger, der anses for nødvendige for god brug og drift af skabet.

Indeni finder du følgende beskrivelser og information:

- en funktionsbeskrivelse af skabet og hver af dets dele
- oplysninger om sikkerheden i skabet og de sikkerhedsregler, der skal følges
- en korrekt brug af skabet
- en korrekt almindelig og programmeret vedligeholdelse, herunder rengøringsoperationer

Oplysninger, der ikke er indeholdt i denne manual:

- Installationsvejledninger

For korrekt installation af skabet henvises til følgende dokumenter:

- Teknisk manual
- Instruktioner for lynreferencer

Denne manual er til følgende professionelle personer:

- **KVALIFICERET OPERATØR:** en kvalificeret person, uddannet til at betjene, regulere, rengøre og udføre almindelig vedligeholdelse på skabet
- **SPECIALISERET TEKNIKER** en tekniker, der er uddannet og autoriseret af det organ, der er angivet i kontrakten (producent/koncessionshaver/distributør) til at udføre: installation, ikke-rutinemæssig vedligeholdelse, reparation, udskiftning og eftersyn af skabet

Brugsanvisning er også tilgængelig på:
www.eptarefrigeration.com.

Henvi til overensstemmelseserklæringen for skabets regler og certificeringer.

Opbevar altid brugsanvisningen og i tilfælde af salg.

Model - Malli - Modell Modell - Model	GINGER - VANILLA	COSTAN eptarefrigeration
Manufacturer - Valmistaja - Tillverkare Produsent - Fabrikant	Epta Spa - Via Mecenate, 86 - 20138 Milano (MI) ITALIA Tel. 02/55403211 Telefax 02/55401023	4/26

2. SIKKERHEDSADVARSLER

2.1 Advarsler for de apparater, der bruger R290 (propan)



Propan er en naturgas uden påvirkning af miljøet, men den er brandfarlig. Det er derfor vigtigt at sikre, at alle rør i kølekredsløbet ikke er beskadiget, før skabet tilsluttes strømforsyningen. Lokalerne, hvor skabet er installeret, skal have et minimumsvolumen på 1 m³ for hver 8g kølemiddel. Mængden af kølemiddel i skabet er angivet på det tekniske dataskilt, der er placeret på skabet. I tilfælde af lækage af kølemiddel undgå, at åben ild eller antændelseskilder er i nærheden af lækagepunktet.



Pas på ikke at beskadige kølekredsløbet.



For at reducere brandbarhedsrelaterede risici må dette skab kun installeres af kvalificeret personale.

2.2 Generelle advarsler



Producenten fraskriver sig ethvert ansvar for skader forårsaget af personer eller ejendom på grund af manglende overholdelse af advarslerne i denne vejledning. Enhver person, der bruger dette skab, skal læse denne brugervejledning.



Arbejdsgiveren skal oplyse personalet om risikoen for ulykker, om de anordninger, der er indrettet til personalesikkerhed, om risici for støjemission og om de generelle sikkerhedsregler i de gældende regler.



Skabet skal bruges af voksne, der er i besiddelse af den nødvendige viden, og hvis fysiske, sensoriske eller mentale evner ikke er svækket; skabet er ikke designet til brug af mindreårige (især fra 0 til 3 år). Børn, under opsyn og ansvar af voksne, må ikke lege med skabet.



Enhver anden brug, der ikke udtrykkeligt er angivet i denne vejledning, betragtes som farlig, og producenten kan ikke holdes ansvarlig for skader, der skyldes ukorrekt, forkert og urimelig brug.



Skabet skal bruges af personale udstyret med passende personlige værnemidler.



Det er obligatorisk at bruge arbejdshandsker.



Efterlad ikke skabet udsat for vejrpåvirkninger



Brug ikke direkte eller indirekte vandstråler på skabet.





Rør ikke ved skabet med våde eller fugtige hænder og fødder; brug ikke skabet med nøgne fødder.





Fjernelse af beskyttelsesanordninger eller paneler, der kræver brug af værktøj for at blive fjernet, er udelukkende forbeholdt kvalificeret personale.


Model - Malli - Modell Modell - Model	GINGER - VANILLA	COSTAN <small>eptarefrigeration</small>
Manufacturer - Valmistaja - Tillverkare Produsent - Fabrikant	Epta Spa - Via Mecenate, 86 - 20138 Milano (MI) ITALIA Tel. 02/55403211 Telefax 02/55401023	5/26


 Kontakt dit nærmeste autoriserede servicecenter for at samle dedikeret valgfrit tilbehør.


 Hvert indgreb skal udelukkende udføres af kvalificeret personale, og i alle tilfælde skal strømforsyningen til skabet afbrydes før hver indgreb.


 Instruer enhver, der bruger skabet, om afbryderkontaktens position.


 Termostatjustering er kun forbeholdt den tekniske eftersalgsservice.


 Vær opmærksom på de varme eller bevægelige dele, der er markeret med det relevante symbol.


 I tilfælde af brand, brug ikke vand til at slukke flammerne, men kun tørslukkere


 Pas på ikke at beskadige kølekredsløbet.

 Undgå ild eller gnister inde i apparatet.


 Hold ventilationsåbningerne i apparatet fri for forhindringer.


 Brug ikke elektriske apparater inde i apparatets rum til konservering af frosne fødevarer, hvis disse ikke er den type, som producenten anbefaler.


 Opbevar ikke eksplosive eller farlige stoffer, såsom beholdere under tryk med brændbart drivmiddel, i dette apparat.


 Anbring ikke væskebeholdere og hæld ikke væske på bordet.


2.3 Advarsler for vedligeholdelse af skabet

 Vedligeholdelsesarbejde må kun udføres af autoriseret personale.

 Adgang til de elektriske dele og/eller dele, der kræver brug af værktøj, er forbeholdt specialteknikere.

 Inden enhver vedligeholdelses- og rengøringsoperation, der er forbeholdt brugeren, skal skabet afbrydes ved hjælp af den vægmonterede afbryderkontakt.

 Vær opmærksom på de varme eller bevægelige dele, der er markeret med det relevante symbol.

 Det er obligatorisk at bruge arbejdshandsker.

EN

FI

SV

NN

DA

Model - Malli - Modell Modell - Model	GINGER - VANILLA	COSTAN eptarefrigeration
Manufacturer - Valmistaja - Tillverkare Produsent - Fabrikant	Epta Spa - Via Mecenate, 86 - 20138 Milano (MI) ITALIA Tel. 02/55403211 Telefax 02/55401023	6/26

User manual

2.4 Elektriske advarsler



Sørg for, at strømspændingen svarer til skabets mærkeplade.



Den elektriske installation skal udføres på en kompetent måde af specialiserede teknikere.



Fjernelsen af dækslet til el-tavlen er forbeholdt specialteknikere.



I overensstemmelse med installationsreglerne skal strømforsyningen omfatte en flerpolet frakoblingsenhed, som sikrer fuldstændig afbrydelse fra netværket under overspændingskategori III-forhold.



Skabet skal installeres efter producentens anvisninger, af fagligt kvalificeret personale og i overensstemmelse med de gældende regler for elektriske systemer i de enkelte lande.



En forkert skabsinstallation kan forårsage skader på mennesker, dyr eller ejendom, som producenten ikke kan holdes ansvarlig for.



Hvis netledningen er beskadiget, skal den udskiftes af autoriseret servicepersonale. Forsøg ikke at reparere kablet.



Sæt ikke strøm til kablet, hvis det er beskadiget. Hvis du er i tvivl, skal du kontakte eftersalgsservicen eller din forhandler.



Efter installation af skabet skal du sørge for, at det ikke hviler på strømkablet.



Der må under ingen omstændigheder anvendes reduktionsmuffer, forlængere, adaptere eller multistikdåser i tilslutningen. Tilslutningen skal derfor ske DIREKTE til strømforsyningen.

2.5 Forbud



Det er forbudt at bruge enheder ud over dem, der er leveret i skabet af producenten til at fremskynde afrimningsprocessen.



Det er forbudt for ufaglært personale at fjerne dæksel på el-tavle eller åbne tavler, der kræver brug af værktøj.



Det er forbudt at bruge skabet til konservering og/eller udstilling af eksplosive, brandfarlige eller ætsende stoffer, såsom spraydåser indeholdende et brandfarligt drivmiddel.



Det er forbudt at bruge skabet til konservering og/eller udstilling af farmaceutiske produkter.





I tilfælde af PRODUKTER, DER IKKE ER EMBALLERET ELLER OPBEVARES VED LAV TEMPERATUR, er det forbudt at bruge skabet til konservering og/eller udstilling af flasker og pakker i glas.




Det er forbudt at placere skabet i områder med tilstedeværelse af eksplosive gasformige stoffer.

Model - Malli - Modell Modell - Model	GINGER - VANILLA	COSTAN  eptarefrigeration
Manufacturer - Valmistaja - Tillverkare Produsent - Fabrikant	Epta Spa - Via Mecenate, 86 - 20138 Milano (MI) ITALIA Tel. 02/55403211 Telefax 02/55401023	7/26

 Det er forbudt at fjerne identifikationspladen fra skabet.

 Det er forbudt at kravle op på disken eller på kantbeskytteren.

 Det er forbudt at udskifte komponenter og/eller foretage ændringer i skabet uden for producentens specifikationer, udskifte originale dele med andre, der ikke er godkendt af producenten, med straf for fortabelse af garantien.

EN

FI

SV

NN

DA

Model - Malli - Modell Modell - Model	GINGER - VANILLA	COSTAN eptarefrigeration
Manufacturer - Valmistaja - Tillverkare Produsent - Fabrikant	Epta Spa - Via Mecenate, 86 - 20138 Milano (MI) ITALIA Tel. 02/55403211 Telefax 02/55401023	8/26

3. GENEREL BESKRIVELSE

Åben

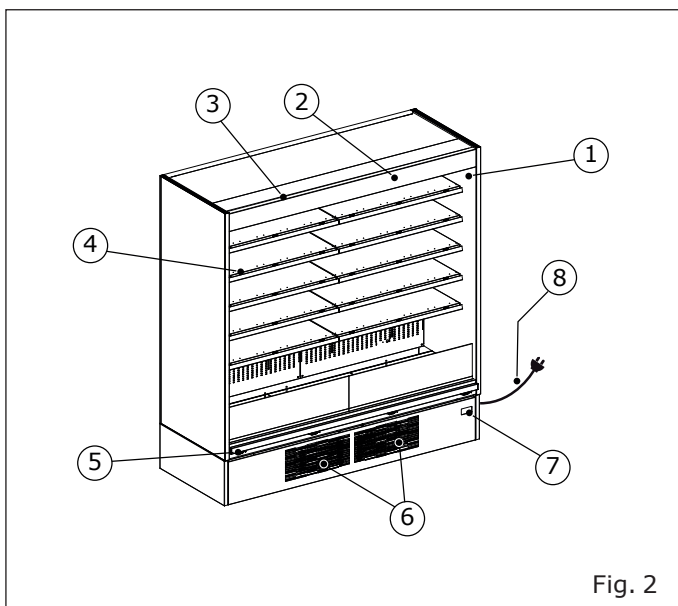


Fig. 2

1. Mærkeplade
2. Øverste belysning
3. Natpersiener (obligatorisk)
4. Hyldebelysning
5. Beskyttelsesskinne
6. Kondensator område
7. Kontrolpanel
8. Strømledning

Lukket

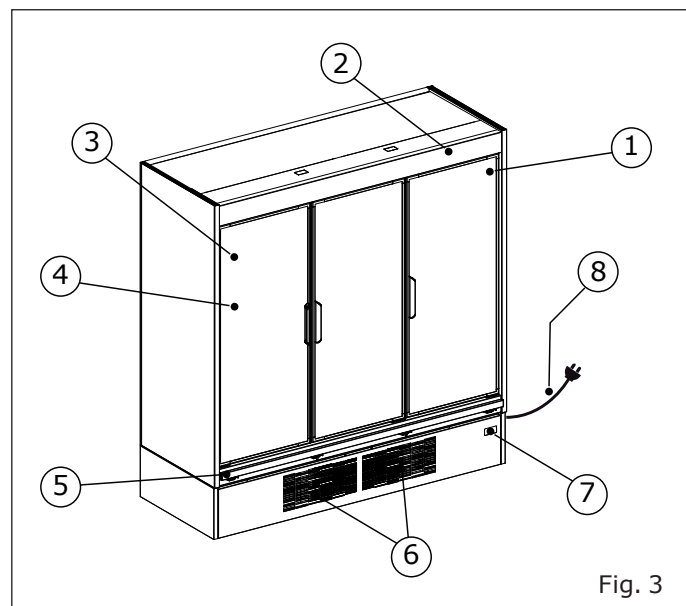


Fig. 3

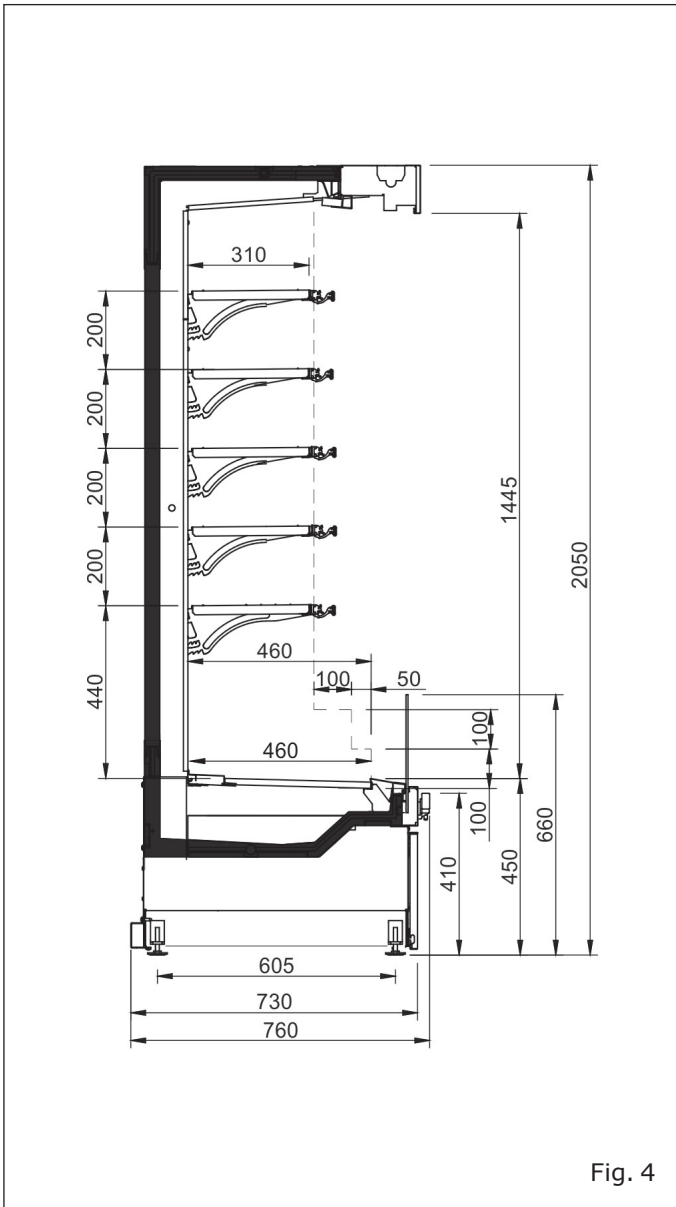
1. Mærkeplade
2. Øverste belysning
3. Glasdøre
4. Hyldebelysning
5. Beskyttelsesskinne
6. Kondensator område
7. Kontrolpanel
8. Strømledning

Model - Malli - Modell Modell - Model	<h1>GINGER - VANILLA</h1>	
Manufacturer - Valmistaja - Tillverkare Produsent - Fabrikant	Epta Spa - Via Mecenate, 86 - 20138 Milano (MI) ITALIA Tel. 02/55403211 Telefax 02/55401023	9/26

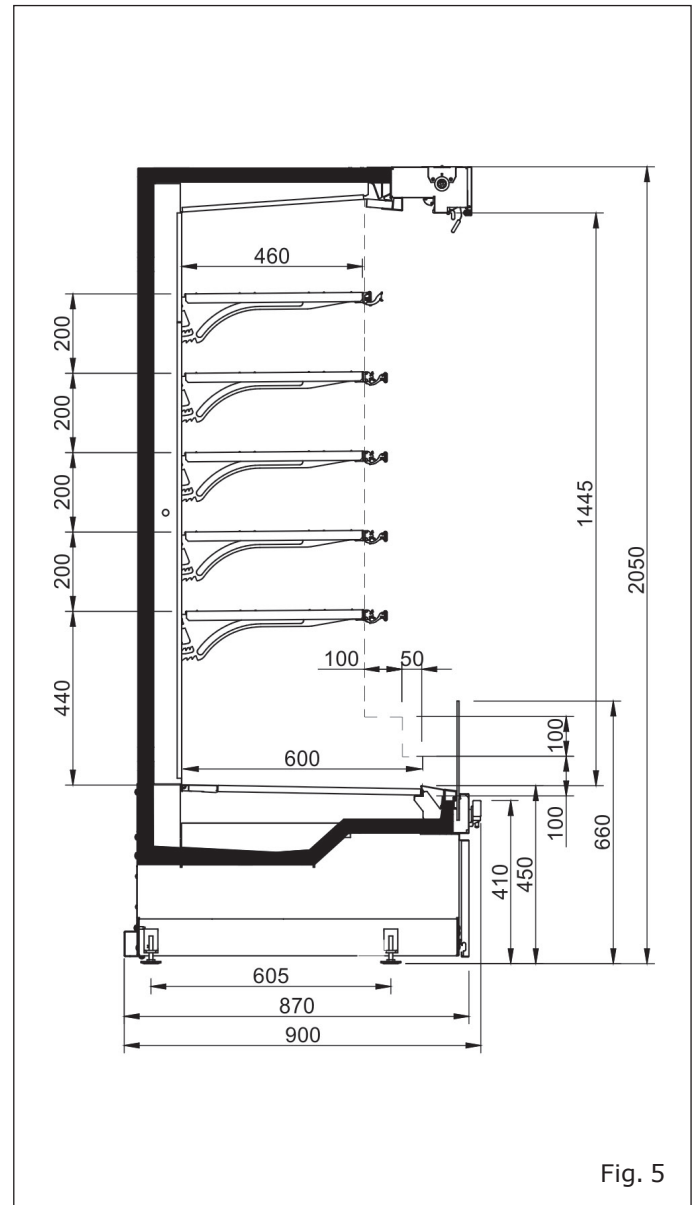
3.1 Sektioner

Åben

COMPACT



NARROW



- EN
- FI
- SV
- NN
- DA**

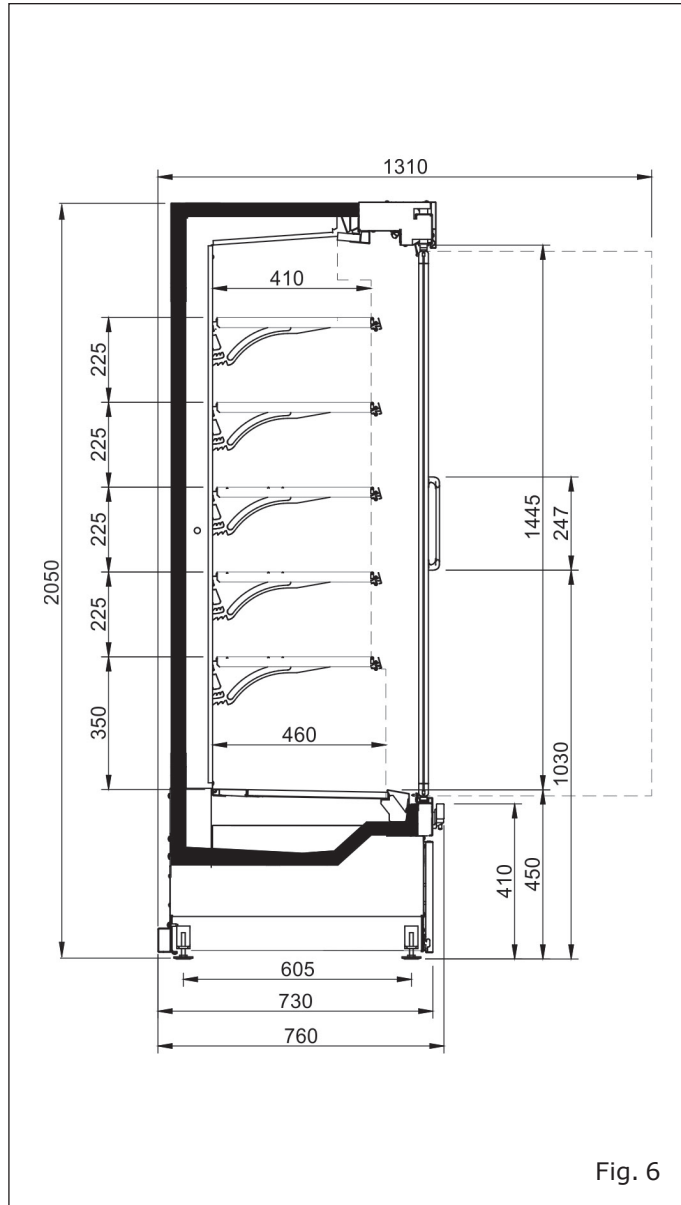
Model - Malli - Modell Modell - Model	<h1>GINGER - VANILLA</h1>	
Manufacturer - Valmistaja - Tillverkare Produsent - Fabrikant	Epta Spa - Via Mecenate, 86 - 20138 Milano (MI) ITALIA Tel. 02/55403211 Telefax 02/55401023	10/26

User manual

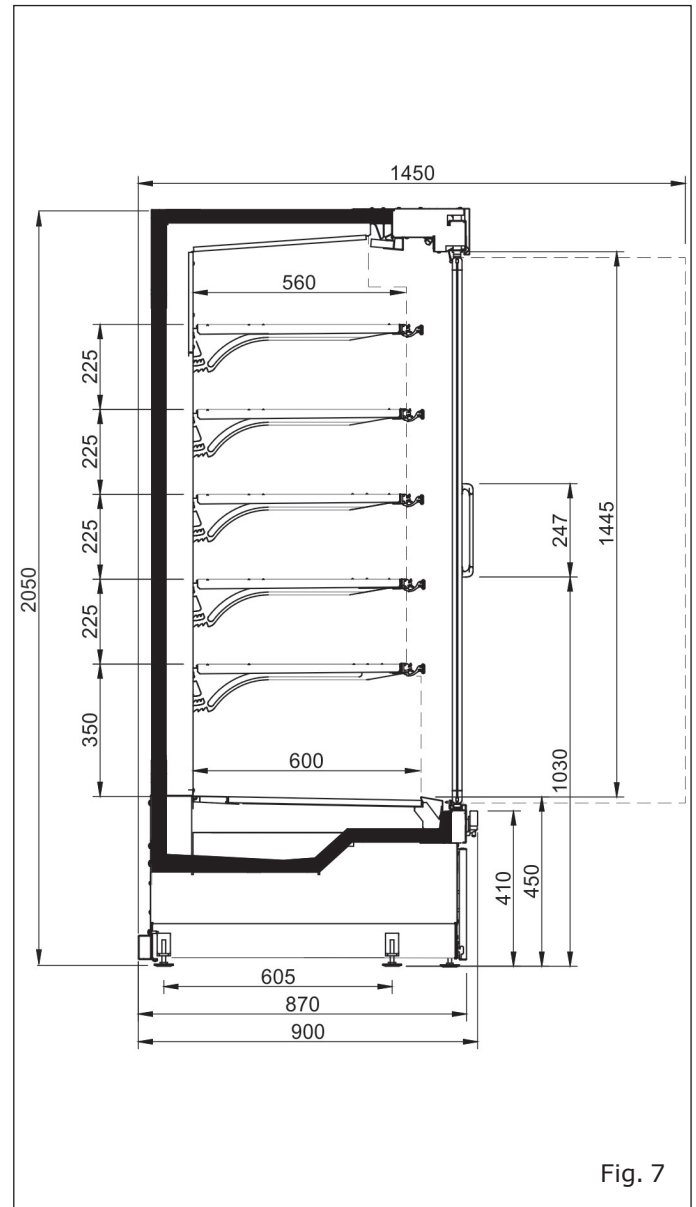
- EN
- FI
- SV
- NN
- DA

Lukket

COMPACT



NARROW



Model - Malli - Modell Modell - Model	GINGER - VANILLA	COSTAN eptarefrigeration
Manufacturer - Valmistaja - Tillverkare Produsent - Fabrikant	Epta Spa - Via Mecenate, 86 - 20138 Milano (MI) ITALIA Tel. 02/55403211 Telefax 02/55401023	11/26

4. TRANSPORT AF SKABET

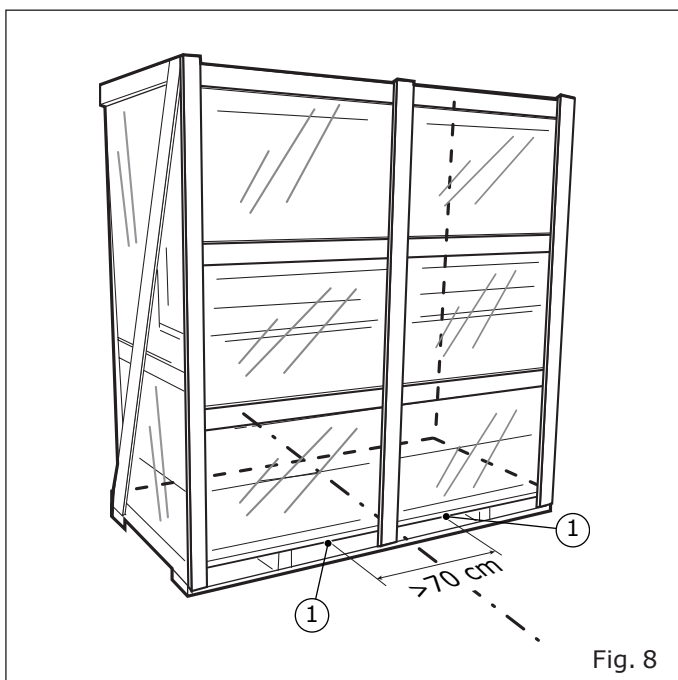


Fig. 8

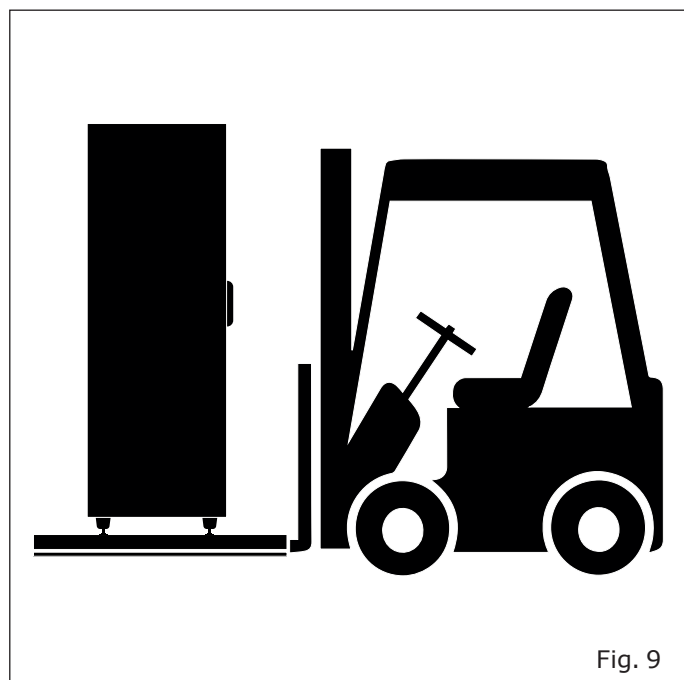


Fig. 9

1. Løftepunkter

Diagram I

Åben

Højde	Dybde	Længde	Vægt (kg)	Vægt med emballage (kg)
2000	Compact	937	220	240
		1250	250	270
		1875	270	290
		2500	410	430
	Narrow	937	270	290
		1250	290	310
		1875	430	450
		2500	490	510

Lukket

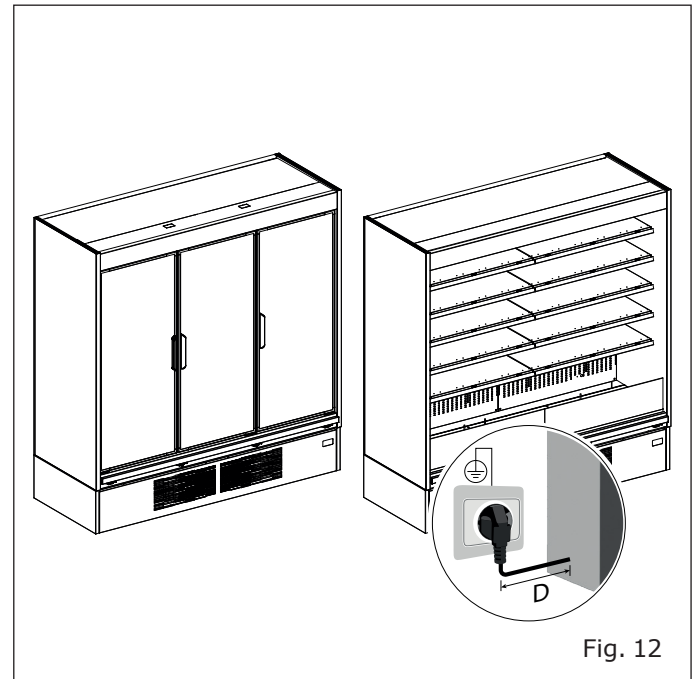
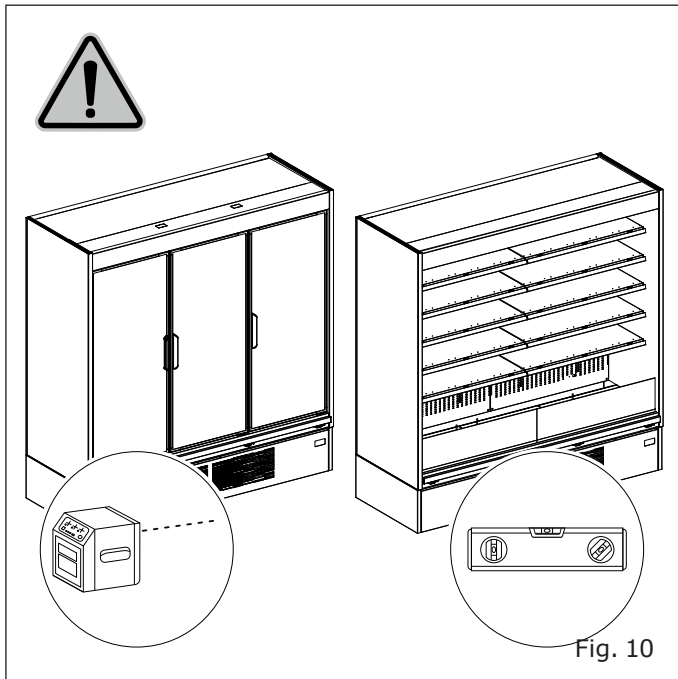
Højde	Dybde	Længde	Vægt (kg)	Vægt med emballage (kg)
2000	Compact	937	250	270
		1250	270	290
		1875	410	430
		2500	450	470
	Narrow	937	280	300
		1250	300	320
		1875	440	460
		2500	500	520

Model - Malli - Modell Modell - Model	GINGER - VANILLA	COSTAN eptarefrigeration
Manufacturer - Valmistaja - Tillverkare Produsent - Fabrikant	Epta Spa - Via Mecenate, 86 - 20138 Milano (MI) ITALIA Tel. 02/55403211 Telefax 02/55401023	12/26

User manual

EN
FI
SV
NN
DA

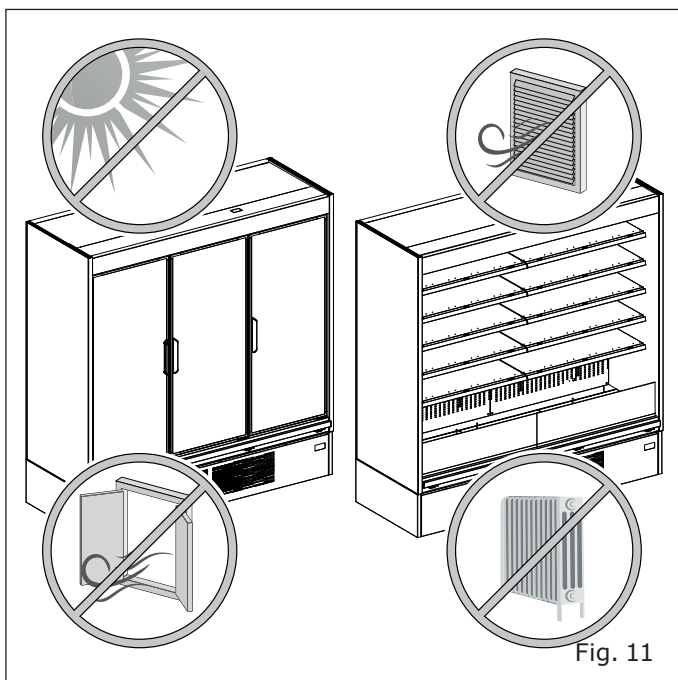
5. OMGIVENDE FORHOLD



D=1,5m

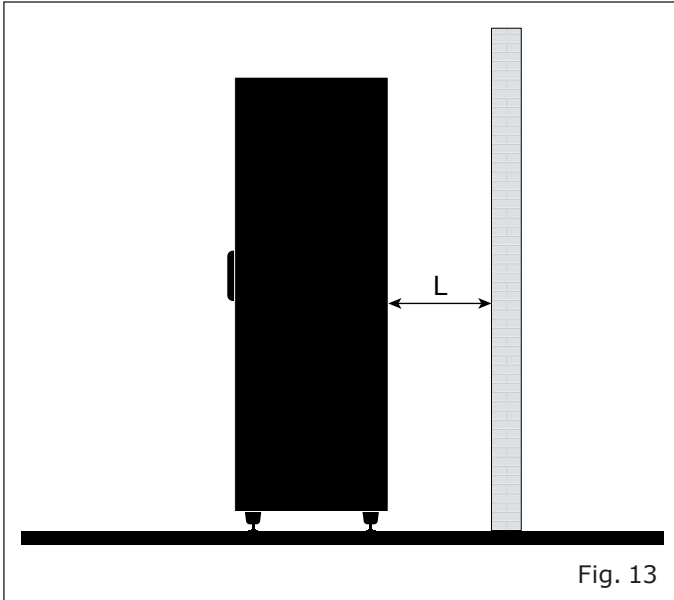
Diagram II

Egenskaber	
Type af lokaler	Lukket
Temperatur	25°C
Relativ fugtighed	60 %
Belysning	600 lx



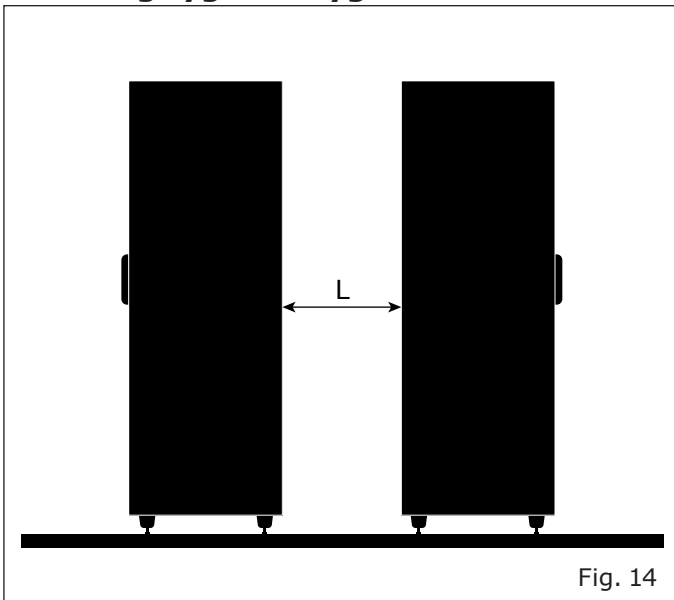
Model - Malli - Modell Modell - Model	GINGER - VANILLA	
Manufacturer - Valmistaja - Tillverkare Produsent - Fabrikant	Epta Spa - Via Mecenate, 86 - 20138 Milano (MI) ITALIA Tel. 02/55403211 Telefax 02/55401023	13/26

Placering mod væg



$L \geq 100\text{mm}$

Placering ryg mod ryg



$L \geq 200\text{mm}$

EN

FI

SV

NN

DA

Model - Malli - Modell Modell - Model	GINGER - VANILLA	COSTAN eptarefrigeration
Manufacturer - Valmistaja - Tillverkare Produsent - Fabrikant	Epta Spa - Via Mecenate, 86 - 20138 Milano (MI) ITALIA Tel. 02/55403211 Telefax 02/55401023	14/26

6. TEKNISKE FUNKTIONER








		<div style="border: 1px dashed black; padding: 5px; width: 100%;"> 12 </div>		
<div style="border: 1px dashed black; padding: 5px; width: 100%;"> 1 </div>		<div style="border: 1px dashed black; padding: 5px; width: 100%;"> 2 </div>		
RATED BEMESSUNG ASSIGNÉ NOMINALE NOMINAL	<div style="border: 1px dashed black; padding: 5px; width: 100%;"> 3 </div>	<div style="border: 1px dashed black; padding: 5px; width: 100%;"> 4 </div>	REFRIGERANT KÄLTEMITTEL RÉFRIGÉRANT REFRIGERANTE REFRIGERANTE	
	<div style="border: 1px dashed black; padding: 5px; width: 100%;"> 5 </div>	<div style="border: 1px dashed black; padding: 5px; width: 100%;"> 6 </div>	<div style="border: 1px dashed black; padding: 5px; width: 100%;"> 17 </div>	
			<div style="border: 1px dashed black; padding: 5px; width: 100%;"> 18 </div>	
			<div style="border: 1px dashed black; padding: 5px; width: 100%;"> 19 </div>	
			<div style="border: 1px dashed black; padding: 5px; width: 100%;"> 20 </div>	
DEFROSTING ABTAUUNG DÉGIVRAGE SBRINAMENTO DESCONGELAMIENTO	<div style="border: 1px dashed black; padding: 5px; width: 100%;"> 7 </div>	CLIMATIC CLASS KLIMAKLASSE CLASSE CLIMATIQUE CLASSE CLIMATICA CLASE CLIMÁTICA		
	<div style="border: 1px dashed black; padding: 5px; width: 100%;"> 8 </div>	<div style="border: 1px dashed black; padding: 5px; width: 100%;"> 21 </div>		
HEATING SYSTEMS HEIZUNGSSYSTEME SYSTEMES CHAUFFANTS SISTEMI DI RISCALDAMENTO SISTEMA DE CALEFACCIÓN	<div style="border: 1px dashed black; padding: 5px; width: 100%;"> 9 </div>	INSULATION BLOWING GAS ISOLATIONS GAS (BLÄHGAS) AGENT MOUSSANT D'ISOLATION GAS ESPUMANTE ISOLAMENTO AGENTE ESPUMANTE		
		<div style="border: 1px dashed black; padding: 5px; width: 100%;"> 22 </div>		
	<div style="border: 1px dashed black; padding: 5px; width: 100%;"> 10 </div>		PROTECTION INDEX SCHÜTZART INDEX DE LA PROTECTION INDICE DI PROTEZIONE ÍNDICE DE PROTECCIÓN	
		<div style="border: 1px dashed black; padding: 5px; width: 100%;"> 23 </div>		
	<div style="border: 1px dashed black; padding: 5px; width: 100%;"> 11 </div>		<div style="border: 1px dashed black; padding: 5px; width: 100%;"> 24 </div>	
	<p style="font-size: 0.8em;">Read Operator's Manual available at www.eptarefrigeration.com or calling: +39 0437 968379</p>			
				

Fig. 15

- | | |
|--|---|
| <ol style="list-style-type: none"> 1. Produktets oprindelse 2. Produkt i "oprindelsesland" 3. Nominel spænding 4. Nominel effekt 5. Nominel frekvens 6. Nominel strøm 7. Afrimningskraft 8. Afrimningsstrøm 9. Varmesystem 10. Belysningssystem 11. Betjeningsvejledning 12. Stregkode | <ol style="list-style-type: none"> 13. Serienummer 14. Produktionsdato 15. Hat-kode 16. Model 17. Type kølemiddel 1 18. Kølemiddelmasse 1 19. Type kølemiddel 2 20. Kølemiddelmasse 2 21. Klimaklasse 22. Gas isolering 23. Beskyttelsesindeks 24. Certificering mærker |
|--|---|



Advarsel: den indeholder brændbar kølemiddelgas.

Model - Malli - Modell Modell - Model	GINGER - VANILLA	COSTAN <small>eptarefrigeration</small>
Manufacturer - Valmistaja - Tillverkare Produsent - Fabrikant	Epta Spa - Via Mecenate, 86 - 20138 Milano (MI) ITALIA Tel. 02/55403211 Telefax 02/55401023	15/26

Diagram III

Åben

Mængde kølemiddel R290 (g)			
Dybde	Model	Kredsløb A	Kredsløb B
Compact	937	120	-
	1250	145	-
	1875	125	125
	2500	150	150
Narrow	937	120	-
	1250	145	-
	1875	125	125
	2500	150	150

Lukket

Mængde kølemiddel R290 (g)			
Dybde	Model	Kredsløb A	Kredsløb B
Compact	937	140	-
	1250	140	-
	1875	140	-
	2500	150	-
Narrow	937	140	-
	1250	140	-
	1875	140	-
	2500	150	-

EN

FI

SV

NN

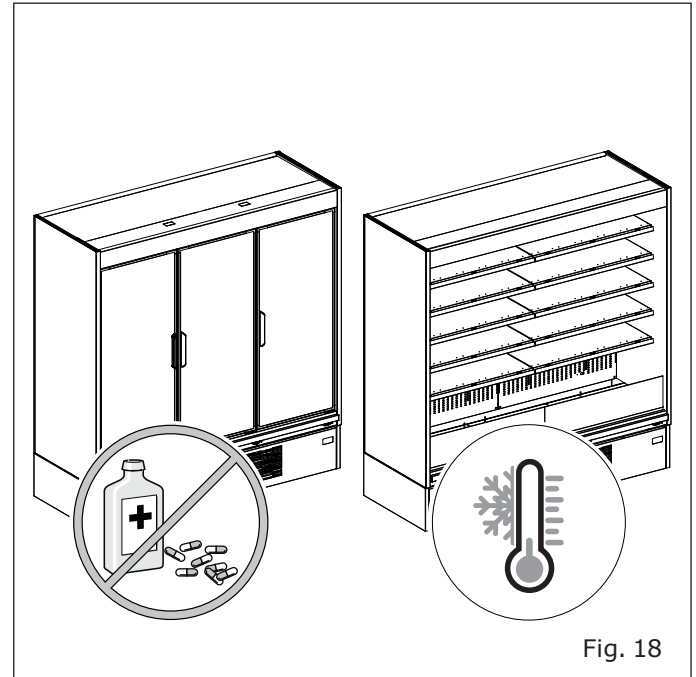
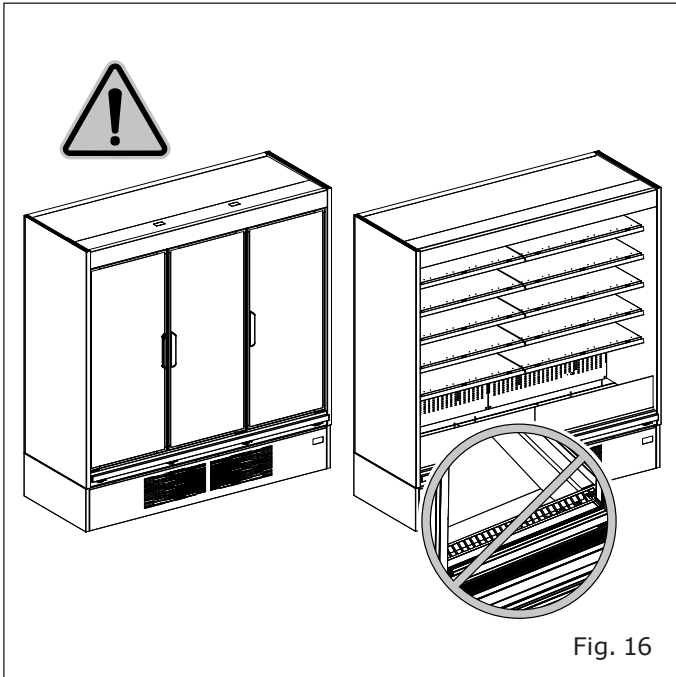
DA


Model - Malli - Modell Modell - Model	GINGER - VANILLA	COSTAN eptarefrigeration
Manufacturer - Valmistaja - Tillverkare Produsent - Fabrikant	Epta Spa - Via Mecenate, 86 - 20138 Milano (MI) ITALIA Tel. 02/55403211 Telefax 02/55401023	16/26

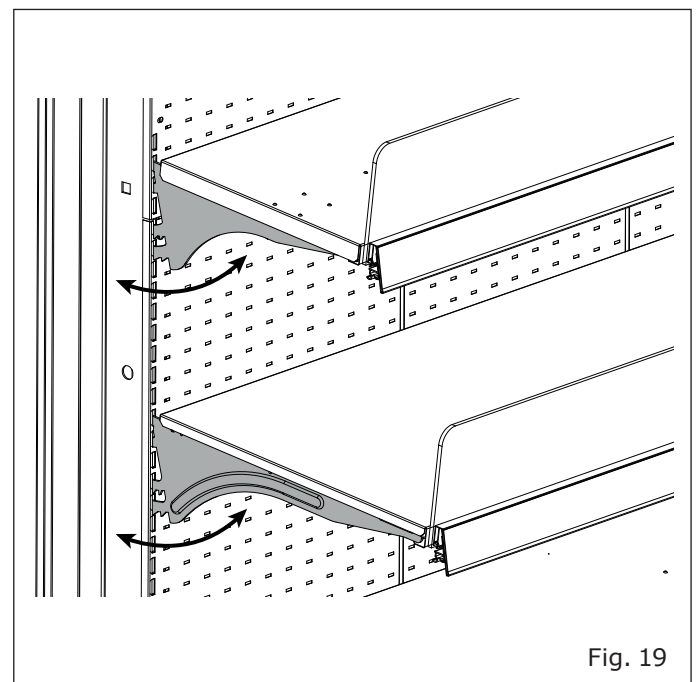
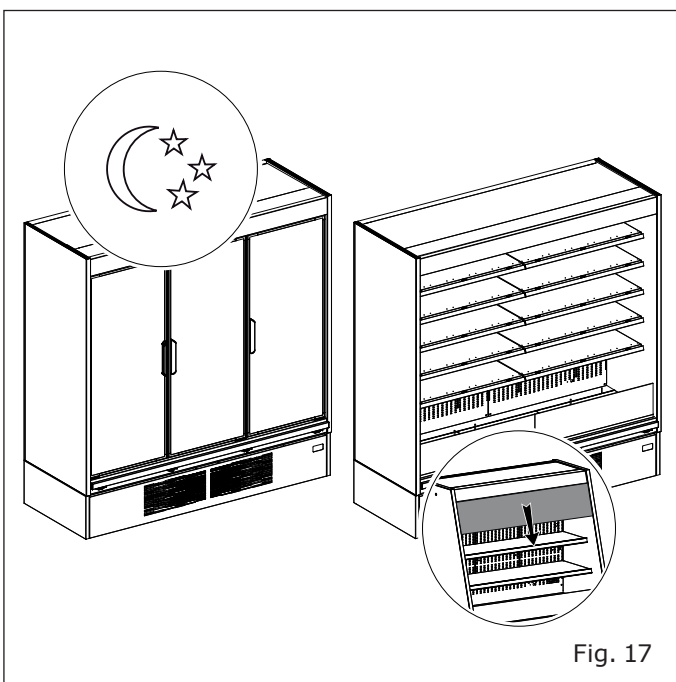
User manual

EN
FI
SV
NN
DA

7. BRUG AF SKABET

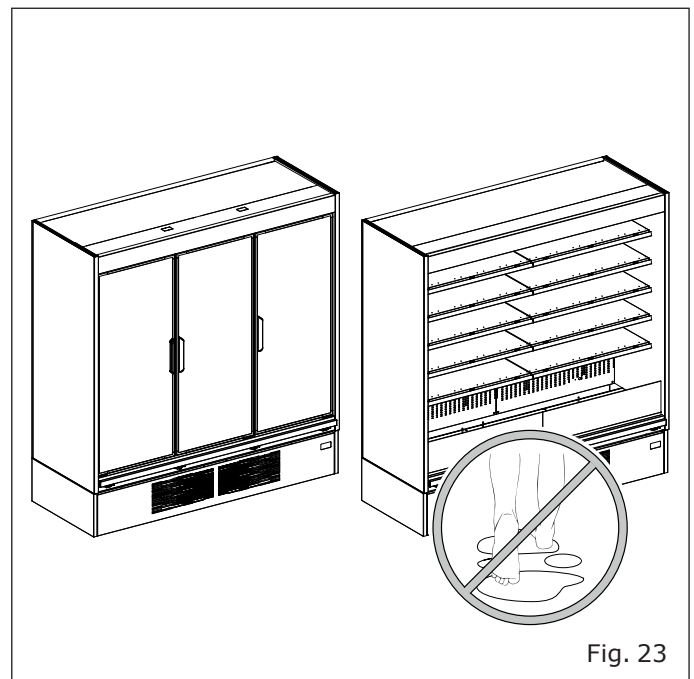
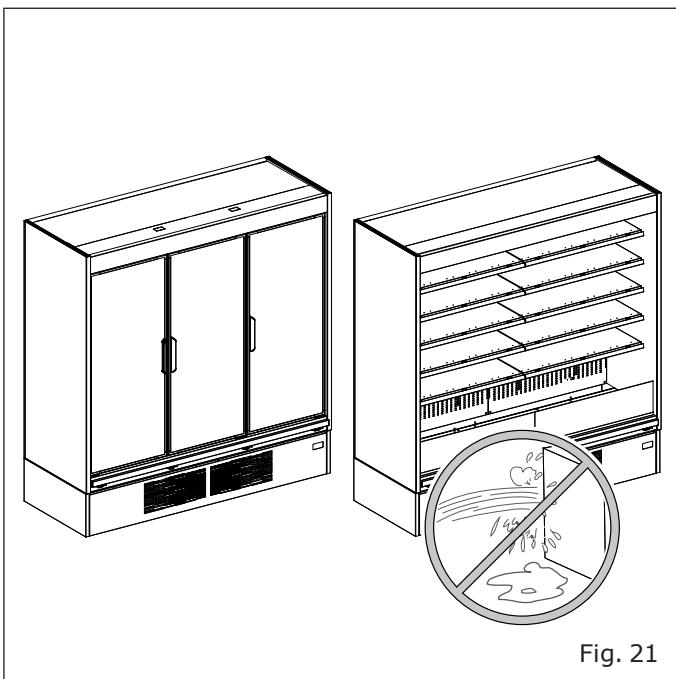
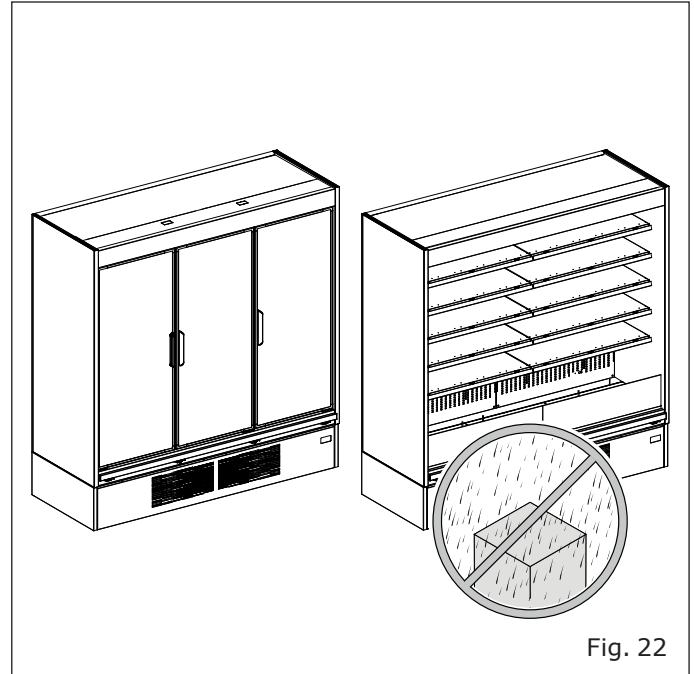
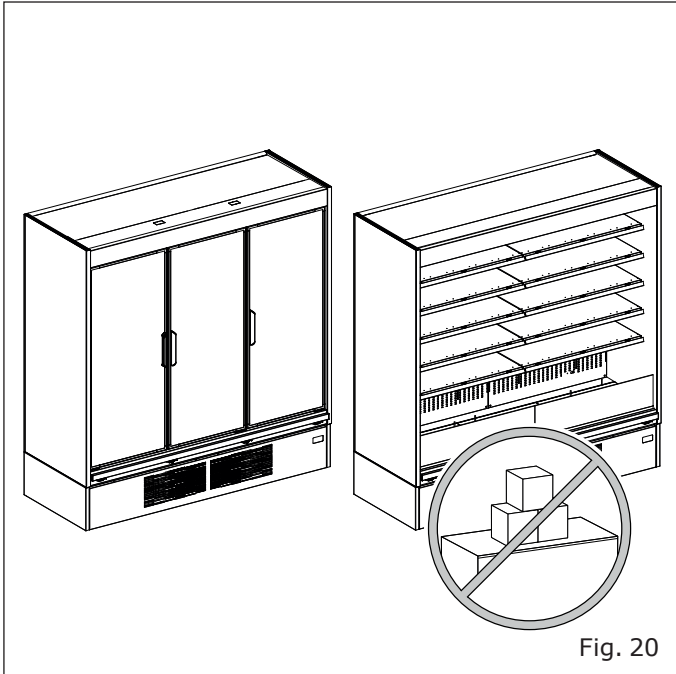


 Må ikke dækkes



Hældning af hylder: 0° - 7° - 14° - 21°

Model - Malli - Modell Modell - Model	<h1>GINGER - VANILLA</h1>	
Manufacturer - Valmistaja - Tillverkare Produsent - Fabrikant	Epta Spa - Via Mecenate, 86 - 20138 Milano (MI) ITALIA Tel. 02/55403211 Telefax 02/55401023	17/26



EN

FI

SV

NN

DA

Model - Malli - Modell Modell - Model	GINGER - VANILLA	COSTAN eptarefrigeration
Manufacturer - Valmistaja - Tillverkare Produsent - Fabrikant	Epta Spa - Via Mecenate, 86 - 20138 Milano (MI) ITALIA Tel. 02/55403211 Telefax 02/55401023	18/26

User manual

EN

8. ALMINDELIG VEDLIGEHOLDELSE

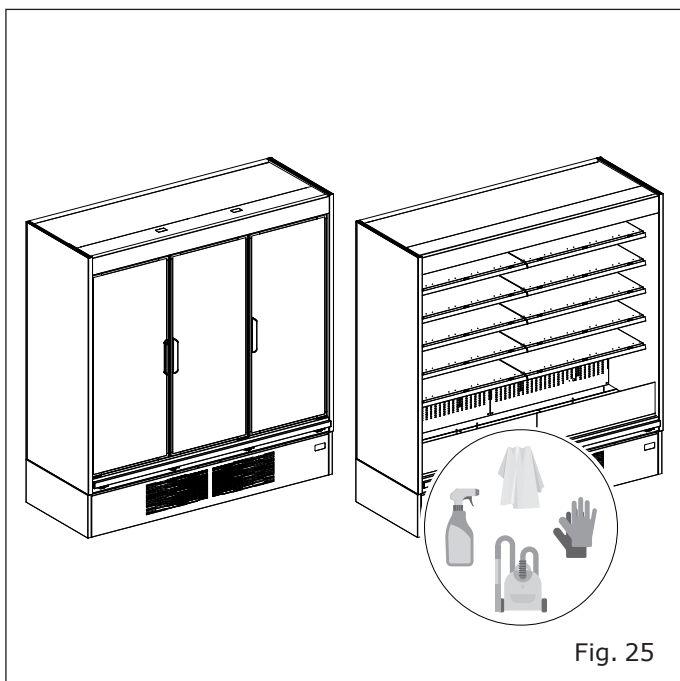
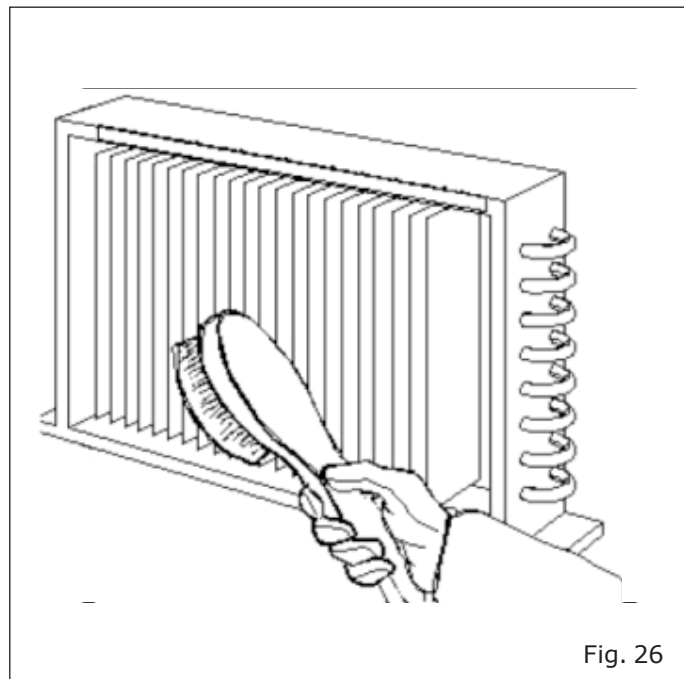
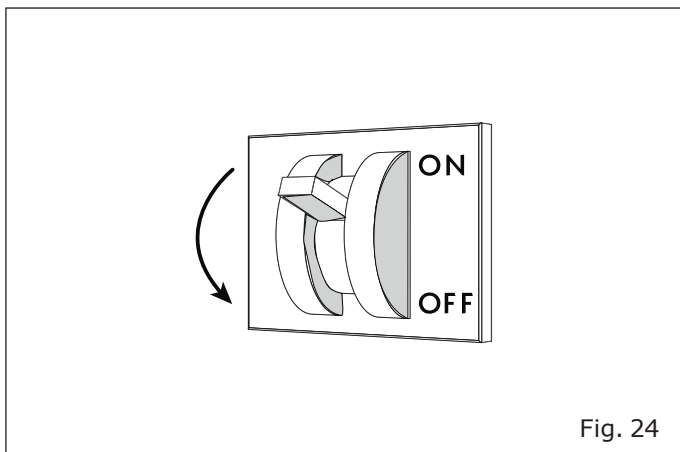
FI

8.1 Rengøring af skabet

SV

NN

DA



Model - Malli - Modell Modell - Model	GINGER - VANILLA	COSTAN <small>eptarefrigeration</small>
Manufacturer - Valmistaja - Tillverkare Produsent - Fabrikant	Epta Spa - Via Mecenate, 86 - 20138 Milano (MI) ITALIA Tel. 02/55403211 Telefax 02/55401023	19/26

9. HYLDER KONFIGURATION

Diagram IV

Enkelt dybde hyldekonfiguration	
COMPACT	NARROW
N x 310	N x 310
N x 360	N x 360
-	N x 410
-	N x 460

N = Antal hyldeniveauer

EN

FI

SV

NN

DA

Model - Malli - Modell Modell - Model	GINGER - VANILLA	COSTAN eptarefrigeration
Manufacturer - Valmistaja - Tillverkare Produsent - Fabrikant	Epta Spa - Via Mecenate, 86 - 20138 Milano (MI) ITALIA Tel. 02/55403211 Telefax 02/55401023	20/26

10. BRUGERINDIKATIONER

10.1 Beskrivelse af skabet

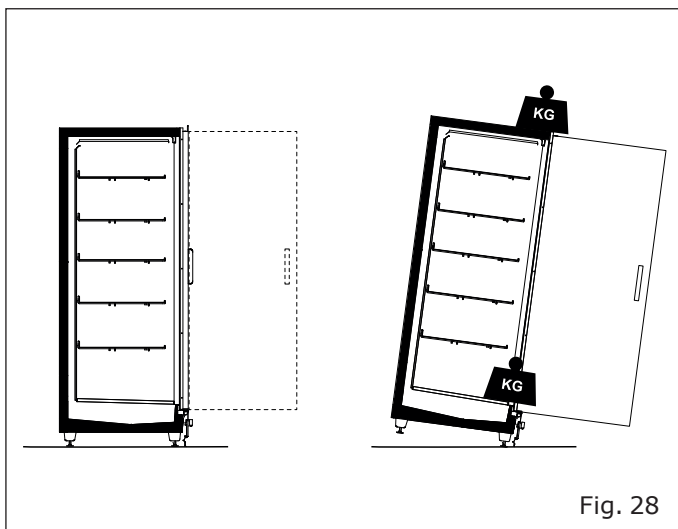
Denne montre er designet og fremstillet udelukkende til fremvisning af friskpakkede fødevarer, drikkevarer og mejerier.

TEMPERATURKLASSE (henhold til EN ISO 23953-2):

- Åben 3M1
- Lukket 3M0

De generelle karakteristika og dimensionerne er illustreret i figurerne og i afsnittene i: "Generel beskrivelse" (fra side "8" til side. "10").

Under transport og håndtering, modtagelse og opbevaring, installation, lastning, brug, rengøring og vedligeholdelse, demontering skal du være opmærksom på risikoen for at vælte skabet ("Fig. 28").



10.2 Transport og håndtering

Skabet er indeholdt i en specifik emballage udstyret med en platform til håndtering med gaffeltrucks.

For at transportere og håndtere skabet skal du bruge:

- Udelukkende en dedikeret eller tilsvarende platform
- En manuel eller elektrisk gaffeltruck, der er egnet til at løfte skabet, med egenskaber, der overholder gældende standarder

Skabets vægte (tomt og med emballage) og emballagens dimensioner er vist i: "Transport af skabet" (tabellen "Diagram I" og figurerne på side"11").

Håndteringsoperationerne skal udføres af kvalificeret personale, der er i stand til at vurdere vægte, løftepunkter og bedst egnede midler med hensyn til sikkerhed og kapacitet.

10.3 Modtagelse og opbevaring

Tjek betingelserne for emballagen, før du accepterer skabet fra transportøren.

Hvis der er tydelige skader i emballagen:

- Fjern emballagen af skabet i nærværelse af transportøren.
- Underskriv leveringsdokumentet med forbehold

Producenten kan ikke holdes ansvarlig for skader forårsaget af transport eller forkert opbevaring af skabet.

Skabet skal opbevares et sted i læ for sol og vejr, med en temperatur på mellem -25°C og +55°C og en relativ luftfugtighed mellem 30% og 95%.

Model - Malli - Modell Modell - Model	GINGER - VANILLA	
Manufacturer - Valmistaja - Tillverkare Produsent - Fabrikant	Epta Spa - Via Mecenate, 86 - 20138 Milano (MI) ITALIA Tel. 02/55403211 Telefax 02/55401023	21/26

10.4 Installation og omgivende forhold

Skabet er ikke designet til at blive installeret udendørs.

For en korrekt betjening af skabet skal du sikre dig, at det er placeret:

- På et jævnt gulv ("Fig. 10").
- Langt fra varmekilder, fra direkte solstråling, fra døre, vinduer, ventilatorer og ventilationsåbninger ("Fig. 11").

Sørg for den nødvendige plads til kundens brug af skabet.

De omgivende forhold, som skabet skal placeres i, er angivet i: "Omgivende forhold" (tabellen "Diagram II", Pag."12").

10.5 Elektrisk tilslutning

En flerpolet afbryder skal installeres opstrøms for skabet. Denne skal have:

- Minimumafstand for kontakterne på 3 mm
- Tilstrækkelig brudkraft

Afbryderkontakten skal placeres i en position, der gør den let at betjene i nødsituationer (maksimal afstand på 3 m).

Før skabet tilsluttes, skal det sikres, at forsyningsspændingen svarer til skabets mærkepladedata. For at garantere jævn drift skal den maksimale spændingsvariation være mellem +/- 6% af den nominelle værdi.

10.6 Tekniske funktioner

Identifikationspladen viser de karakteristiske tekniske data for skabet. Dens position og typen af data er vist i: "Tekniske funktioner" ("Fig. 15").

Ledningsdiagrammer, kontrolinstrumentkalibre ringslister, installationsinstruktioner og kopi af overensstemmelseserklæringen er tilgængelige på webstedet <https://documents.eptarefrigeration.com>.

Lydtryksniveauet, der genereres ved betjeningen af skabet, er lavere end 70 dB(A). Skabet forårsager ikke skadelige vibrationer.

10.7 Fyld produktet

Sæt strøm til skabet for at starte dets afkølingscyklus ved at aktivere den generelle afbryderkontakt, der er monteret på væggen. Efter ca. 2 timer er det muligt at fylde skabet.

Skabet er egnet til at opretholde varens temperatur og ikke sænke den; fødevarerne må derfor kun indføres i den, hvis de allerede er afkølet til de respektive konserveringstemperaturer. Produkter som har været opvarmet må aldrig indføres i skabet. Ved tilstedeværelse af glasfronter på skabet anbefales det at fylde op med varerne, når der ikke er kunde i salgsområdet.

Ved opfyldning af varerne skal du sikre dig, at:

- Belastningen er homogen med hensyn til dimension og kvalitet af produkterne.
- Varerne ikke hindrer den korrekte gennemstrømning af køleluft ("Fig. 16")
- Varerne ikke overskrider belastningsgrænsen.

Ensartet fordelt maksimal tilladt belastning:

- På nederste niveau: 225 kg/m²
- På hylderne: 140 kg/m²

Model - Malli - Modell Modell - Model	GINGER - VANILLA	COSTAN <small>eptarefrigeration</small>
Manufacturer - Valmistaja - Tillverkare Produsent - Fabrikant	Epta Spa - Via Mecenate, 86 - 20138 Milano (MI) ITALIA Tel. 02/55403211 Telefax 02/55401023	22/26

10.8 Brug af skabet

Termostat/termometer

Et fjerntermostat/termometer er placeret nederst til højre i skabet for at styre temperaturen ("Fig. 2", "Fig. 3"). Fjerntermostaten viser den eksisterende temperatur inde i huset, og temperaturen styres ved hjælp af de dedikerede knapper.

Konfiguration og hældning af displayhylderne

For at sikre den korrekte ydeevne, som skabet er designet til, skal hylder arrangeres inde i skabet i henhold til nedenstående opsætning. (diagram "Diagram IV" til side. "19"). Ved at variere hylernes koblingsposition med bordets bageste stolper, kan man vælge 4 forskellige hældninger ("Fig. 19").



Brug af natbetræk eller natgardiner, hvis nogen er monteret, i lukketiden. ("Fig. 17").

10.9 Rengøring og almindelig vedligeholdelse

Godt udsyn i indsatsområdet anbefales, eventuelt ved brug af en ekstra lyskilde.

Rengøring af skabet

Brug kun vand ved en maksimal temperatur på 65°C og husholdningssæbe eller neutralt rengøringsmiddel fortyndet i vand.

Brug aldrig:

- Slibesvampe
- Brandfarlige eller slibende produkter såsom alkohol, acetone eller opløsningsmidler
- Rengøringsmidler, der indeholder ikke-ioniske overfladeaktive stoffer, citron eller eddike (eddikesyre)



Vask eller rengør ikke den øverste del af skabet med vand eller væsker.

Rengør alle de udvendige dele af skabet **EN GANG OM UGEN**.

Rengør alle de indvendige dele af skabet **EN GANG OM MÅNEDEN** ved at følge instruktionerne nedenfor:

- Afbryd strømforsyningen til skabet ved hjælp af den vægmonterede hovedafbryder ("Fig. 24").
- Tøm skabet, opbevar varerne i kølerum eller køleskabe for at opretholde konserveringstemperaturen.
- Vent på, at indersiden af skabet har nået den omgivende temperatur, og rengør derefter
- Efter omhyggeligt at kontrollere, at indersiden af skabet er helt tørt, genstartes apparatet ved at sætte strøm til skabet igen.
- Fyld varerne i igen efter et par timer.

Model - Malli - Modell Modell - Model	GINGER - VANILLA	COSTAN eptarefrigeration
Manufacturer - Valmistaja - Tillverkare Produsent - Fabrikant	Epta Spa - Via Mecenate, 86 - 20138 Milano (MI) ITALIA Tel. 02/55403211 Telefax 02/55401023	23/26

Når du sætter skabet ud af drift, skal du afbryde strømmen og følge ovenstående passager, mens dørene efterlades åbne (hvis de er tilgængelige) for at undgå lugt.

Afrim skabet **HVER TREDIE MÅNED** for at lade isen smelte, hvilket kan være dannet på fordampers lameller, hvilket forhindrer korrekt drift. Varigheden af afrimningsaktiviteten reguleres direkte på fabrikken. Eventuelle justeringer er udelukkende forbeholdt den tekniske serviceafdeling. Optøningsvandet opsamles af et særligt afløb og ledes til en afløbsskål placeret i bunden af skabet. Kontroller med jævne mellemrum, at afrimningsvandet løber normalt. Hvis ikke, gribes straks ind med en ikke-spids fleksibel sonde.

Gør som angivet for at rense de indvendige dele **MÅNEDLIGT**, men i dette tilfælde forudse en længere ventetid for at lade isen smelte fuldstændigt.

Rengør især kondenseringsenheden mindst hver 30. dag med en hård metalbørste, og fjern støv og snavs fra lamellerne.

En snavset kondenseringsenhed køler mindre, hvilket forårsager spild af energi og dårlig ydeevne. Bær modstandsdygtige handsker ved rengøring af kondensenheden.



Kun lukket model

Kondensatoren er en selvrensende vægmodel, der ikke kræver rutinemæssig vedligeholdelse. Men af sikkerhedsmæssige årsager skal **HVERT ANDET ÅR** rengøres ved at blæse luft gennem en trykluftpumpe for at fjerne eventuelle rester eller ophobet støv ("Fig. 27").

10.10 Nødsituationer

Skabet starter ikke, eller det stopper:

- Tjek, at der ikke er strømafbrydelse.
- Kontroller, at hovedafbryderen på væggen er tændt.
- Kontroller, at skabsstikket er sat i stikkontakten.

Hvis strømafbrydelsen ikke er afhængig af disse årsager, skal du kontakte det nærmeste autoriserede servicecenter og tømme produktet fuldstændigt og straks opbevare produktet i kølerum eller køleskabe, der kan opretholde konserveringstemperaturen.

Skabet køler ikke tilstrækkeligt:

- Kontroller, at kondenseringsenheden er ren og i stand til at udføre sin varmevekslerfunktion; rengør grundigt, hvis lamellerne er blokeret.
- Kontroller, at skabet er fyldt korrekt.
- Afrim skabet og genoptag derefter normal drift, hvis denne operation ikke har været udført i mere end tre måneder.
- Tjek at skabet ikke er tæt på varmekilder eller luftstrømme.
- Kontroller de omgivende forhold; referenceværdierne er indeholdt i: "Omgivende forhold" ("Diagram II", Pag."12").
- Kontroller skabets planhed ved hjælp af en nivelleringsanordning.

Kontakt dit nærmeste autoriserede servicecenter, hvis kølesvigt fortsætter.

Model - Malli - Modell Modell - Model	GINGER - VANILLA	COSTAN eptarefrigeration
Manufacturer - Valmistaja - Tillverkare Produsent - Fabrikant	Epta Spa - Via Mecenate, 86 - 20138 Milano (MI) ITALIA Tel. 02/55403211 Telefax 02/55401023	24/26

User manual

EN

Skabet larmer:

- Kontroller, at skruer og bolte er spændt korrekt.
- Kontroller skabets planhed ved hjælp af en nivelleringsanordning.

Hvis ulejligheden fortsætter, skal du kontakte dit nærmeste autoriserede servicecenter.

FI

SV

NN

DA

10.11 Teknisk assistance

Hvis der er behov for teknisk assistance, skal du straks kontakte den leverandør, som skabet er købt hos.

Hvis du skal bruge reservedele, skal du altid henvende dig til teknisk assistance: spørg og sørg for, at der bruges originale reservedele.

10.12 Demontering og fjernelse

I overensstemmelse med de gældende regler for demontering af affald i de enkelte lande og for at respektere det miljø, vi lever i, beder vi dig om at adskille skabets dele, så de kan bortskaffes separat eller om nødvendigt nyttiggøre dem på passende vis. .

Ikke alle dele af skabet kan sammenlignes med kommunalt fast affald med undtagelse af de metaldele, der under alle omstændigheder ikke er inkluderet i specialaffald for de fleste europæiske lande.



Kølesystemet er under højt tryk. Kontakt ekspertpersonale før bortskaffelse.

Komponenterne i kølekredsløbet må ikke afskæres og/eller adskilles, før kredsløbet aflades, med genvinding af kølemiddelgas af kvalificeret personale.

Model - Malli - Modell Modell - Model	GINGER - VANILLA	COSTAN <small>eptarefrigeration</small>
Manufacturer - Valmistaja - Tillverkare Produsent - Fabrikant	Epta Spa - Via Mecenate, 86 - 20138 Milano (MI) ITALIA Tel. 02/55403211 Telefax 02/55401023	25/26

11. SUPPLERENDE GENERELLE ADVARSLER

Instruktioner for korrekt installation og vedligeholdelse

Bruger- og vedligeholdelsesinstruktionerne findes i brugermanualen på webstedet: www.eptarefrigeration.com.

Installationsvejledningen dedikeret til ekspertpersonale er tilgængelige:

- Fra servicenetværket
- I nogle kategorier af produkter i papirformat leveret sammen med produktet

Professionel reparationservice

Tjenesterne leveres af vores servicenetværk, som kan konsulteres i kontaktområdet på webstedets adresse www.eptarefrigeration.com.

Reserve dele

Reserve delene og informationerne til reparation af apparatet er tilgængelige i mindst 8 år efter, at produktet er erklæret udgået på følgende webadresse: www.epta-service.com/service. Loginoplysningerne leveres på anmodning til at sende via mail til: servicesupport@eptarefrigeration.com.

Rengøring af luftkondensator

De indbyggede apparater med luftkondensering bevarer kun deres effektivitet, hvis kondensatoren rengøres ved hjælp af de metoder og tider, der er angivet i bruger- og vedligeholdelsesvejledningen.

Vigtig information om madspild

Det anbefales omhyggeligt at følge konserveringsinstruktionerne vist i pakningerne med produkterne og indikationerne fra fødevarerproducenterne.

Derfor skal temperaturindstillingerne være tilpasset egenskaberne for opbevaring af fødevarerne konsekvent i overensstemmelse med indikationerne i vores tekniske dokumentation.

Forkert brug kan resultere i forringelse.

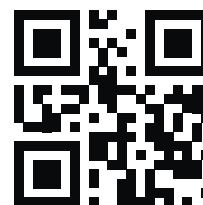
Omgivende forhold

Dette apparat er beregnet til at fungere i miljøer, hvor temperaturen og fugtigheden falder inden for grænserne angivet i bruger- og vedligeholdelsesvejledningen.

Vejledning til demontering

Ved demonteringsaktiviteter er det nødvendigt at kontakte de professionelle operatører. Epta Group, som altid har været drevet af en særlig opmærksomhed på miljøet, stiller demonterings- og affaldsbehandlingsmanualerne til rådighed for brugerne, som kan downloades nedenfor

- Få adgang til webstedet www.costan.com



- Få adgang til **teknisk område** sektionen af skabet.

Andre oplysninger

For yderligere og mere detaljeret information henvises til www.eptarefrigeration.com og til EPREL som tilgås via QR-koden her eller i produktets energimærke.



Model - Malli - Modell Modell - Model	GINGER - VANILLA	COSTAN <small>eptarefrigeration</small>
Manufacturer - Valmistaja - Tillverkare Produsent - Fabrikant	Epta Spa - Via Mecenate, 86 - 20138 Milano (MI) ITALIA Tel. 02/55403211 Telefax 02/55401023	26/26

User manual

Anvendelsesbegrænsninger



Dette skab er designet til brug, transport og opbevaring af op til en maksimal højde på 2000 m over havniveau.

Opbevaring:

- Temperatur mellem 15°C og 50°C
- Relativ fugtighed mellem 20% og 90%
- Maksimal tid 6 måneder

Transport:

- Temperatur mellem 20°C og 70°C
- Relativ fugtighed mellem 20% og 90%
- Maksimal tid 2 måneder

Installation:

- Temperatur mellem 0°C og 40°C
- Relativ fugtighed mellem 20% og 90%
- Maksimal tid 2 måneder

Brug:

Kabinettets ydeevne garanteres ikke uden for normal brug.

Dens integritet og sikkerhed er garanteret inden for følgende grænser for midlertidige forhold.

Miljø uden for skabet:

- Fra klasse 1 (16°C / 80%rh) til klasse 4 (30°C / 55%rh) eller klasse 6 (27°C / 70%rh)

Miljø inde i skabet (betingelser for elsikkerhed):

Positiv temperatur skab

- Temperatur mellem -10°C og +10°C
- Relativ fugtighed mellem 70% og 100%
- Maksimal tid 10 år

Negativ temperatur skab

- Temperatur mellem -40°C og 15°C
- Relativ fugtighed mellem 90% og 100%
- Maksimal tid 10 år



Under drift kunne varmeelementerne lokalt registrere temperaturer, der er højere end de førnævnte grænser, dog altid under fuld respekt for sikkerhedsbetingelserne.

Model - Malli - Modell Modell - Model	<h1>GINGER/VANILLA</h1>	
Manufacturer - Valmistaja - Tillverkare Produsent - Fabrikant	Epta Spa - Via Mecenate, 86 - 20138 Milano (MI) ITALIA Tel. 02/55403211 Telefax 02/55401023	IV/VII

User manual

- EN
- FI
- SV
- NN
- DA

Model - Malli - Modell Modell - Model	<h1>GINGER/VANILLA</h1>	
Manufacturer - Valmistaja - Tillverkare Produsent - Fabrikant	Epta Spa - Via Mecenate, 86 - 20138 Milano (MI) ITALIA Tel. 02/55403211 Telefax 02/55401023	V/VII

User manual

- EN
- FI
- SV
- NN
- DA

Model - Malli - Modell Modell - Model	<h1>GINGER/VANILLA</h1>	
Manufacturer - Valmistaja - Tillverkare Produsent - Fabrikant	Epta Spa - Via Mecenate, 86 - 20138 Milano (MI) ITALIA Tel. 02/55403211 Telefax 02/55401023	VI/VII

User manual

- EN
- FI
- SV
- NN
- DA

