

# ECO<sub>2</sub>SMALL PLUS (ECOS+)

## USER INSTRUCTIONS

READ CAREFULLY AND KEEP WITH THE CABINET  
*(original instructions)*

Model - Modello - Modèle Modell	<b>ECO2SMALL PLUS</b>	
Manufacturer - Fabbricante - Constructeur Hersteller	<b>Epta Spa</b> - Via Mecenate, 86 - 20138 Milano (MI) ITALIA Tel. 02/55403211 Telefax 02/55401023	

## User manual

EN

**EN** **USER INSTRUCTIONS**  
READ CAREFULLY AND KEEP WITH THE CABINET  
*(original instructions)*

IT

**IT** **ISTRUZIONI D'USO PER L'UTENTE**  
LEGGERE ATTENTAMENTE E CONSERVARE CON CURA ASSIEME AL MOBILE  
*(traduzione delle istruzioni originali)*

FR

**FR** **INSTRUCTIONS POUR L'UTILISATEUR**  
LIRE AVEC ATTENTION CE MANUEL ET LE CONSERVER PRÈS DU MEUBLE AVEC SOIN  
*(traduction de la notice originale)*

DE

**DE** **BETRIEBSANLEITUNG FÜR BETREIBE**  
SORGFÄLTIG LESEN UND MIT DEM MÖBEL AUFBEWAHREN  
*(Übersetzung der Originalanweisungen)*

Model - Modello - Modèle Modell	<b>ECO2SMALL PLUS</b>	
Manufacturer - Fabbricante - Constructeur Hersteller	<b>Epta Spa</b> - Via Mecenate, 86 - 20138 Milano (MI) ITALIA Tel. 02/55403211 Telefax 02/55401023	

**CONTENT**

<b>1. Introduction</b>	<b>4</b>
<b>2. Safety warnings</b>	<b>5</b>
2.1 General warnings	5
2.2 Warnings for Maintenance of the refrigeration pack	6
2.3 Electrical warnings	6
2.4 Prohibitions	7
<b>3. General description</b>	<b>8</b>
3.1 Sections	12
<b>4. Transport of refrigeration pack</b>	<b>14</b>
<b>5. Ambient conditions</b>	<b>15</b>
<b>6. Electrical connection</b>	<b>17</b>
<b>7. Technical features</b>	<b>18</b>
<b>8. User indications</b>	<b>19</b>
8.1 Refrigerant fluid R744 in the transcritical regime cycle	19
8.2 Description of the refrigeration pack	19
8.3 Transport and handling	21
8.4 Receipt and storage	21
8.5 Installation and ambient conditions	22
8.6 Electrical connection	24
8.7 Technical features	24
8.8 Accessories and options	25
8.9 Maintenance and periodic checks	26
8.10 Emergency situations	29
8.11 Technical assistance	30
8.12 Dismantling and elimination	30
<b>9. Supplementary general warnings</b>	<b>31</b>
<b>10. Reference directives and regulations</b>	<b>32</b>

**SYMBOLS USED**

Prohibition symbol: it prohibits the carrying out of specific operations.



Attention symbol: accident prevention rules for the operator.



Warning symbol: possibility exists of causing damage to the refrigeration pack and/or its components.



Note symbol: it provides useful information.

Model - Modello - Modèle Modell	<b>ECO2SMALL PLUS</b>	
Manufacturer - Fabbricante - Constructeur Hersteller	<b>Epta Spa</b> - Via Mecenate, 86 - 20138 Milano (MI) ITALIA Tel. 02/55403211 Telefax 02/55401023	

EN  
IT  
FR  
DE

## 1. INTRODUCTION

The contents of the Manual should be read carefully and kept with the refrigeration pack. The manufacturer shall not be held liable for any harm caused to people or damage to property due to the failure to observe the warnings contained in this Manual.



This Manual contains information considered necessary for the proper use and operation of the refrigeration pack.

Inside you will find the following descriptions and information:

- a functional description of the refrigeration pack and all its parts.
- information on the safety of the refrigeration pack and the accident prevention rules to follow
- a correct use of the refrigeration pack
- a correct ordinary and programmed maintenance, including cleaning operations

This Manual refers to the refrigeration pack in its different parts (divided and delivered with separate parcels):

- refrigeration
- electric (inclusive of electric panel)
- hydraulic (inclusive of additional modules)

Information not contained in this Manual:

- Installation instructions

For the correct installation of the refrigeration pack refer to the following documents:

- Quick Reference Instructions

This Manual is for the following professional figures:

- **QUALIFIED OPERATOR** person qualified, trained to operate, adjust, clean and carry out routine maintenance on the refrigeration pack
- **SPECIALIST TECHNICIAN** technician trained and authorized by the party indicated in the contract (manufacturer/concessionaire/distributor) to carry out: installation, extraordinary maintenance, replacement and overhaul of refrigeration pack

Instructions for use are also available on: [www.eptarefrigeration.com](http://www.eptarefrigeration.com).

**Refer to the declaration of conformity for the regulations and certificates of the refrigeration pack.**

Model - Modello - Modèle Modell	<b>ECO2SMALL PLUS</b>	
Manufacturer - Fabbricante - Constructeur Hersteller	<b>Epta Spa</b> - Via Mecenate, 86 - 20138 Milano (MI) ITALIA Tel. 02/55403211 Telefax 02/55401023	

## 2. SAFETY WARNINGS

### 2.1 General warnings



The manufacturer shall not be held responsible for any harm caused to people or property due to the failure to observe the warnings contained in this manual. Any person who uses this refrigeration pack must read this user manual.



The employer must educate staff on the risks of accidents, on the devices arranged for staff safety, on the risks of noise emission and on the general safety rules provided for by the rules in force.



The refrigeration pack must be used by adults who have the necessary knowledge and whose physical, sensory or mental capabilities are not impaired; the refrigeration pack is not conceived for use by minors (in particular from 0 to 3 years of age). The children, in any case under the supervision of adults, must not play with the refrigeration pack.



Any other use not explicitly indicated in this manual is considered dangerous and the manufacturer cannot be held liable for any damage deriving from improper, wrong and unreasonable use.



The refrigeration pack must be used by personnel equipped with the appropriate personal protection equipment.



It is compulsory to use work gloves.



Do not leave the refrigeration pack without enclosure exposed to atmospheric agents.



Do not use direct or indirect jets of water on the refrigeration pack.



The removal of protection devices or panels that require the use of tools to be removed is reserved exclusively for qualified personnel.



For assembling dedicated optional accessories, contact your nearest authorised service centre.



Any work must be carried out exclusively by qualified personnel; in every case, the power supply must be disconnected from the refrigeration pack before any work is carried out.



Pay attention to the hot or moving parts marked with the appropriate symbol.



In case of fire, do not use water to put out the flames but only dry fire extinguishers



Do not damage the refrigeration circuit.

Model - Modello - Modèle Modell	<b>ECO2SMALL PLUS</b>	
Manufacturer - Fabbricante - Constructeur Hersteller	<b>Epta Spa</b> - Via Mecenate, 86 - 20138 Milano (MI) ITALIA Tel. 02/55403211 Telefax 02/55401023	

## User manual


EN


### 2.2 Warnings for Maintenance of the refrigeration pack


IT


FR


DE

 Maintenance work must only be carried out by authorised personnel.


 Access to the electrical parts and/or parts that require the use of tools is reserved for specialist technicians.


 Before any maintenance work is carried out, de-energize the electric panel.


 Pay attention to the hot or moving parts marked with the appropriate symbol.


 It is compulsory to use work gloves.


### 2.3 Electrical warnings

 Ensure that the voltage corresponds to the data on the rating plate of the refrigeration pack.

 The electrical installation must be carried out in a competent manner by specialised technicians.


 The removal of the cover of the electrical panel is reserved for specialist technicians.


 The refrigeration pack must be installed following the manufacturer's instructions, by professionally qualified personnel and complying with the electrical regulations for the specific Country.


 Wrong installation of the refrigeration pack may cause injury and damage to people, animals or property, and the manufacturer shall not be held responsible thereof.


Model - Modello - Modèle Modell	<b>ECO2SMALL PLUS</b>	
Manufacturer - Fabbricante - Constructeur Hersteller	<b>Epta Spa</b> - Via Mecenate, 86 - 20138 Milano (MI) ITALIA Tel. 02/55403211 Telefax 02/55401023	


## 2.4 Prohibitions


 It is forbidden to use the refrigeration pack for a purpose other than its installation in compression refrigeration circuits operating with refrigerants (for example, water or air pump or as device to dispose of refrigerants or other)


 It is forbidden to install the refrigeration pack in systems other than those with compression refrigeration circuits operating with refrigerants


 It is forbidden to use refrigerants, heat carriers or lubricants which are not allowed to operate the refrigeration pack.


 It is forbidden for unskilled staff to remove the cover of the electrical panel or open panels that require the use of tools.


 It is forbidden to place the refrigeration pack in closed environments and technical rooms in which there are gaseous explosive substances.

 It is forbidden to remove the registration plate from the refrigeration pack.

 It is forbidden to climb onto the refrigeration pack.

 It is forbidden to replace components and/or modify the refrigeration pack outside the specifications provided for by the manufacturer, replace original spare parts with others not approved by the manufacturer, under the penalty of forfeiture of warranty conditions.

 It is forbidden to modify the electric panel without the approval of the manufacturer.

 Unauthorized personnel are prohibited from accessing the technical room where the refrigeration pack is installed and nearby areas.

### 3. GENERAL DESCRIPTION

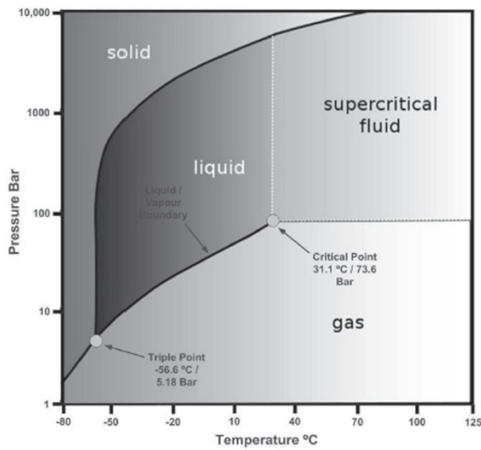


Fig. 2

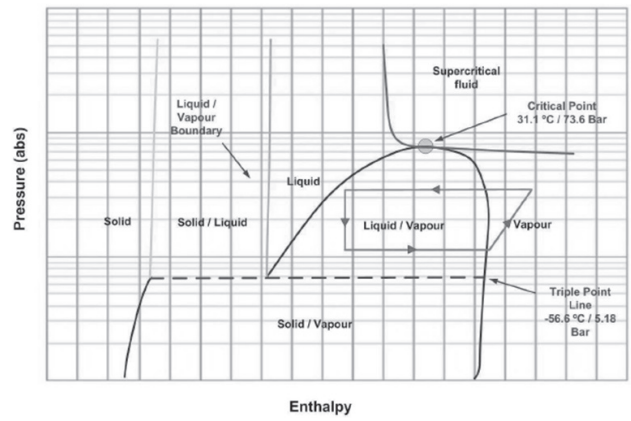


Fig. 3

Refrigerant	TRIPLE POINT		CRITICAL POINT	
	Temperature [°C]	Pressure [bar]	Temperature [°C]	Pressure [bar]
R744	-56.6	5.18	31.1	73.6



Model - Modello - Modèle  
Modell

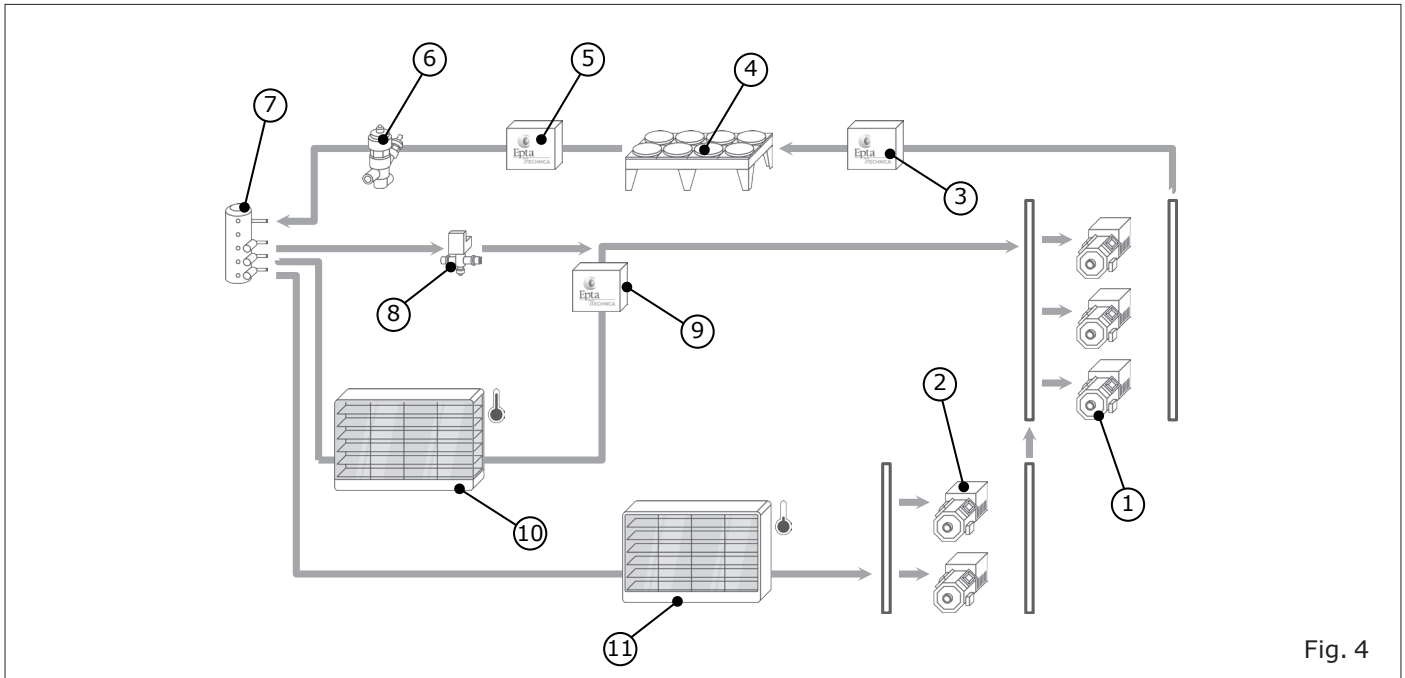
## ECO2SMALL PLUS



Manufacturer - Fabbricante - Constructeur  
Hersteller

**Epta Spa** - Via Mecenate, 86 - 20138 Milano (MI) ITALIA  
Tel. 02/55403211 Telefax 02/55401023

User manual



1. MEDIUM TEMPERATURE compressors
2. LOW TEMPERATURE compressors
3. Heat recovery Module
4. Gas cooler
5. ETE Module
6. Transcritical valve (HPV)
7. Liquid receiver
8. Flash gas by-pass valve
9. FTE Module
10. MEDIUM TEMPERATURE utility
11. LOW TEMPERATURE utility

EN

IT

FR

DE

Model - Modello - Modèle Modell	<b>ECO2SMALL PLUS</b>	
Manufacturer - Fabbricante - Constructeur Hersteller	<b>Epta Spa</b> - Via Mecenate, 86 - 20138 Milano (MI) ITALIA Tel. 02/55403211 Telefax 02/55401023	

User manual

- EN
- IT
- FR
- DE

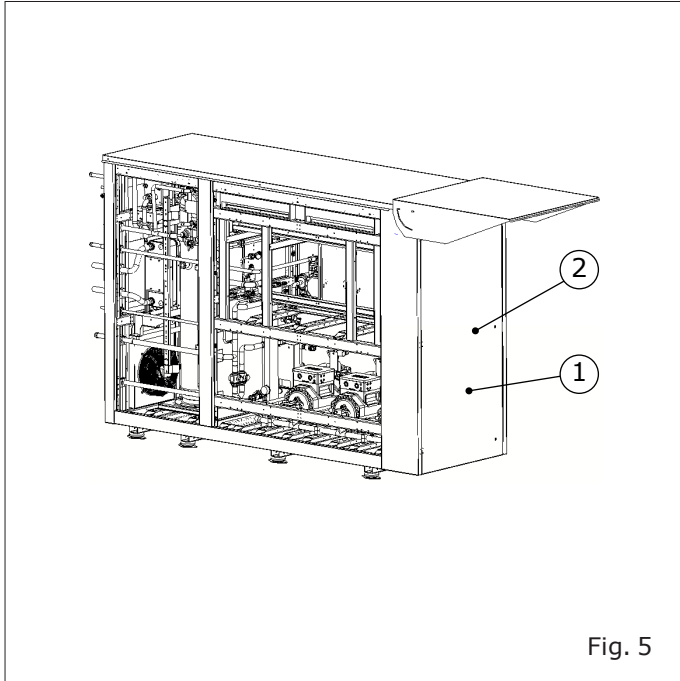


Fig. 5

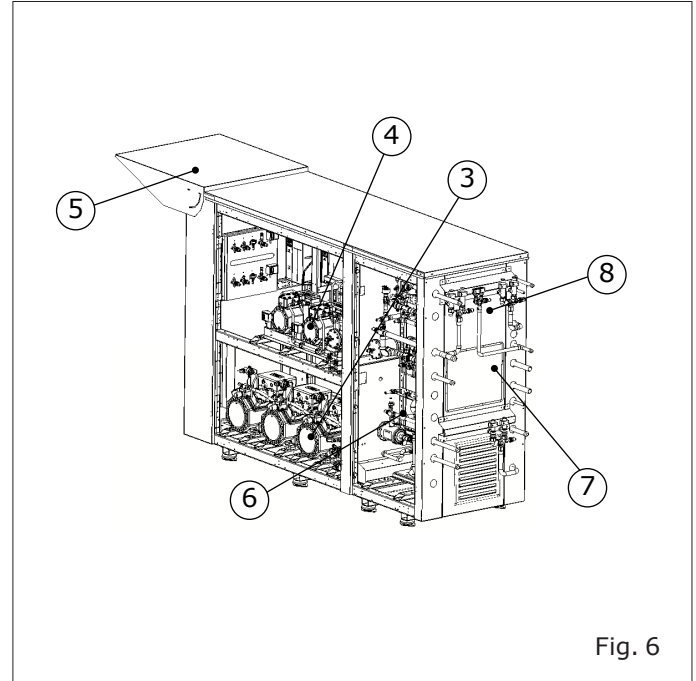
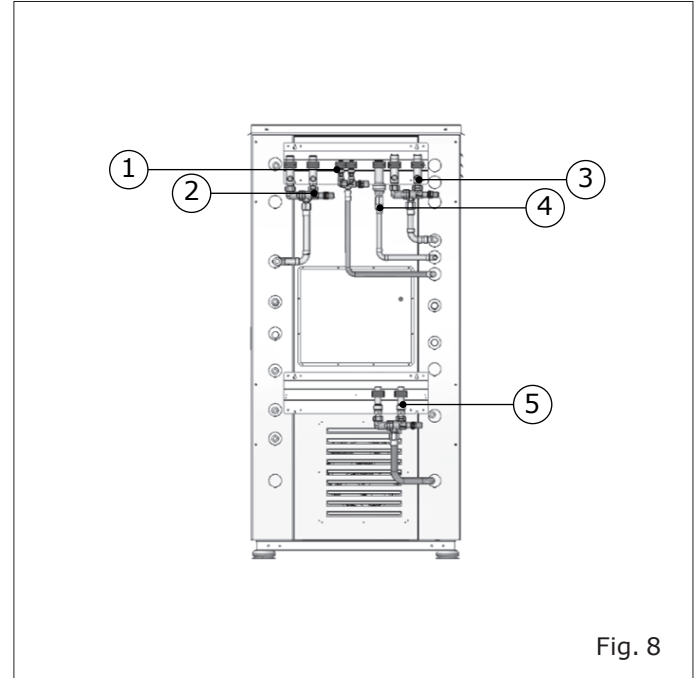
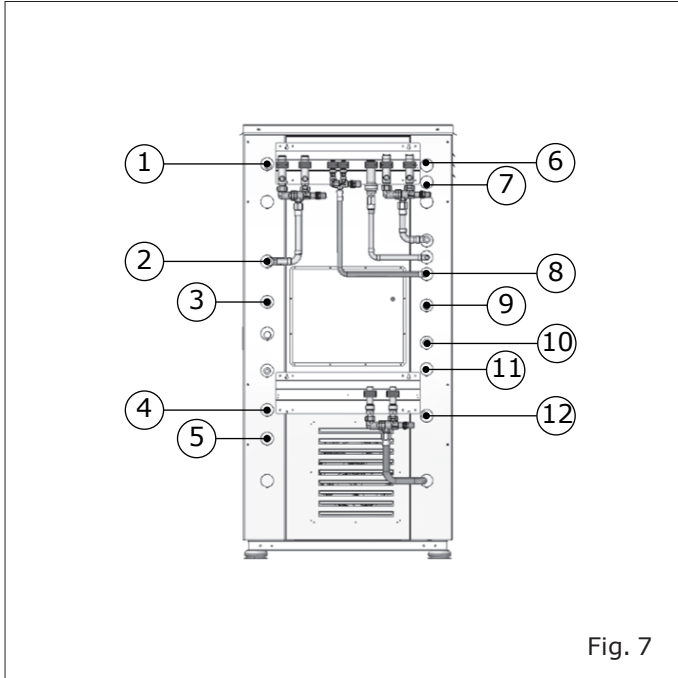


Fig. 6

1. Rating plate
2. Electric panel housing
3. MEDIUM TEMPERATURE compressors
4. LOW TEMPERATURE compressors
5. Rain roof (optional)
6. Liquid receiver
7. Liquid, intake, gas cooler return, heat recovery water,  
FTE connections
8. Safety valves



1. Return inlet from gas cooler (1" 1/8 K65)
2. Suction inlet from MEDIUM TEMPERATURE utility(1" 3/8 K65 / 1" 1/8 K65)
3. Flash gas towards FTE (1" 1/8 K65)
4. Gas cooler outlet with heat recovery (1" 1/8 K65)
5. Liquid line outlet (1" 1/8 K65 / 7/8" K65)
6. Suction line outlet under subcooler R134a (22mm Cu)
7. Liquid line inlet under subcooler |0 (16mm Cu)
8. Suction line inlet line from LOW TEMPERATURE utility(22x1,5mm Cu / 7/8" K65)
9. Outlet H<sub>2</sub>O |0|(35mm Cu)
10. Inlet H<sub>2</sub>O (35mm Cu)
11. Towards by-pass of the air desuperheater in the discharge line of the compressors LOW TEMPERATURE utility (5/8" K65)
12. Gas cooler outlet without heat recovery (1" 1/8 K65)

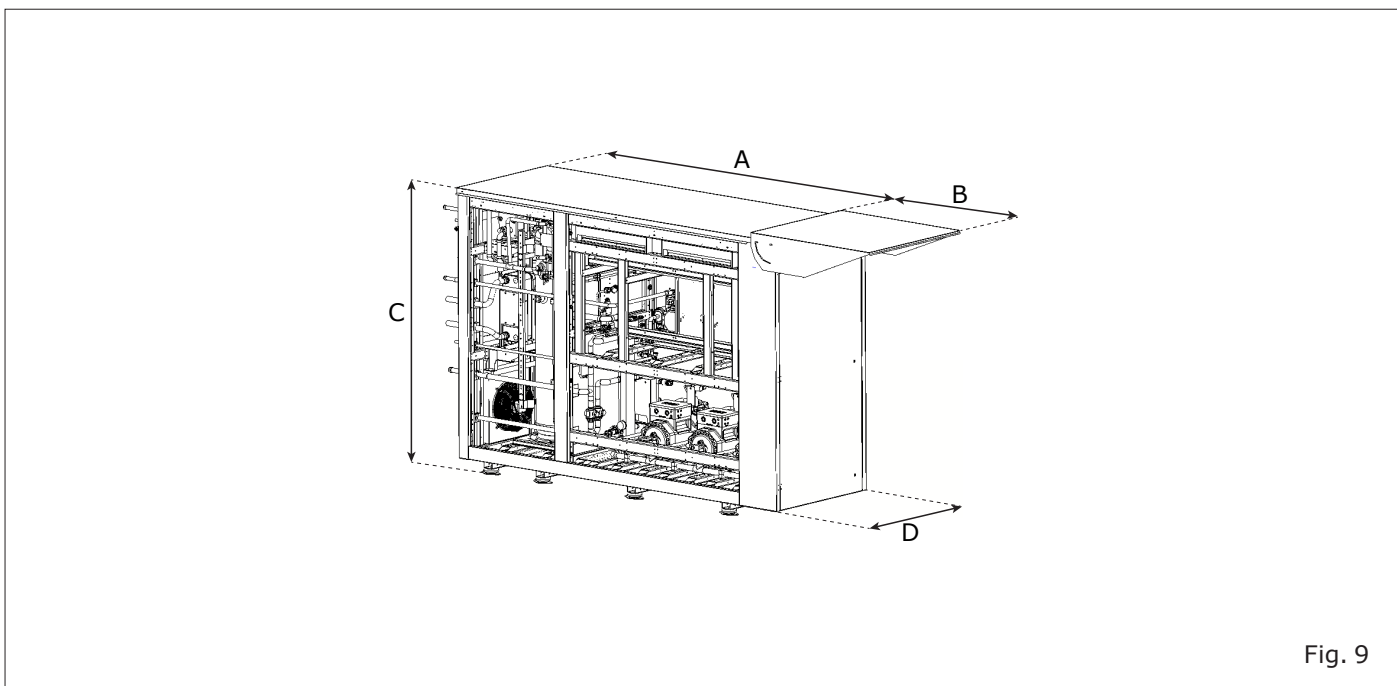
1. MEDIUM TEMPERATURE utility suction, double with exchange tap
2. LOW TEMPERATURE utility suction, double with exchange tap
3. Liquid receiver, double with exchange tap
4. ETE module suction 100bar (optional)
5. High pressure 120bar, double with exchange tap

Model - Modello - Modèle Modell	<b>ECO2SMALL PLUS</b>	
Manufacturer - Fabbricante - Constructeur Hersteller	<b>Epta Spa</b> - Via Mecenate, 86 - 20138 Milano (MI) ITALIA Tel. 02/55403211 Telefax 02/55401023	

User manual

### 3.1 Sections

- EN
- IT
- FR
- DE



#### Chart I

Version	Length A (mm)	Length B rain roof (mm)	Height C (mm)	Depth D (mm)
3 MT	3030	910	2080	1000
2 MT + 1 ETE	3030	910	2080	1000
3 MT + 2 LT	3030	910	2080	1000
2 MT + 2 LT + 1 ETE	3030	910	2080	1000

1. MT = compressor MEDIUM TEMPERATURE utility
2. LT = compressor LOW TEMPERATURE utility
3. ETE = compressor dedicated to the ETE configuration ("Extreme Temperature Efficiency")

Model - Modello - Modèle Modell	<b>ECO2SMALL PLUS</b>	
Manufacturer - Fabbricante - Constructeur Hersteller	<b>Epta Spa</b> - Via Mecenate, 86 - 20138 Milano (MI) ITALIA Tel. 02/55403211 Telefax 02/55401023	

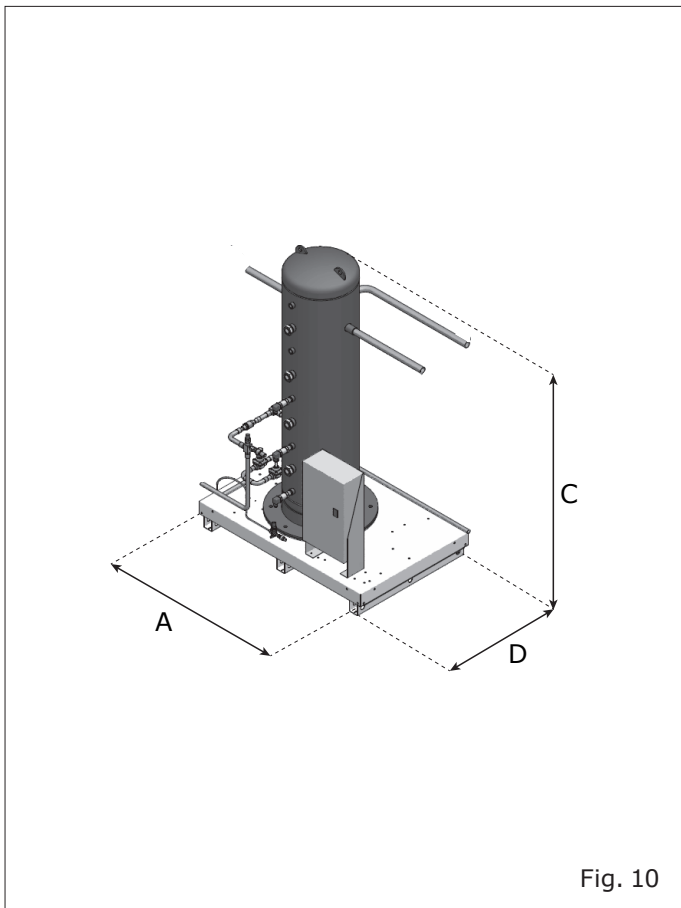


Fig. 10

FTE REMOTE Module without enclosure

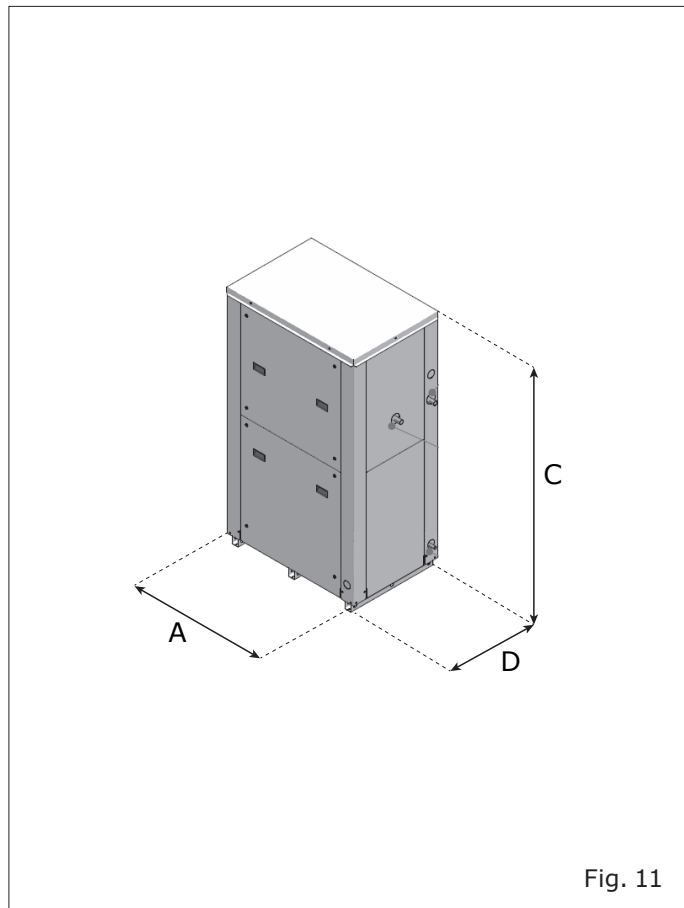


Fig. 11

FTE REMOTE Module with enclosure

**Chart II**

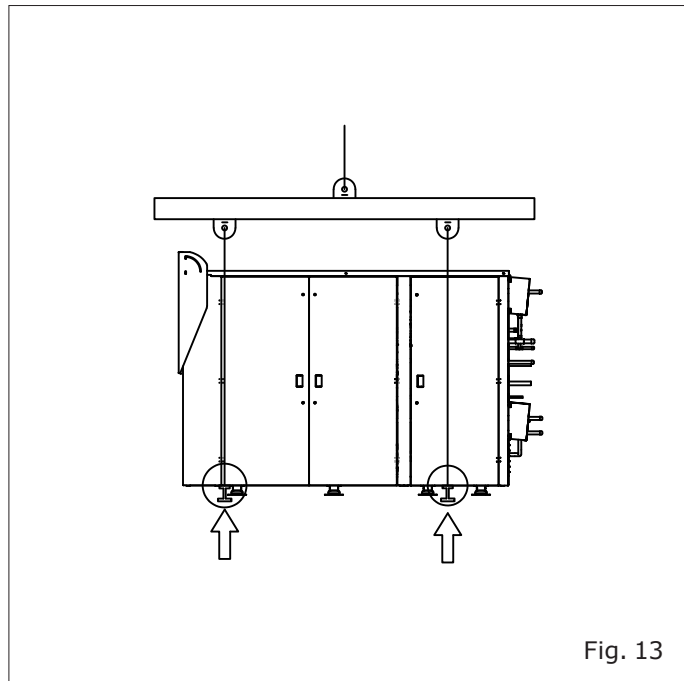
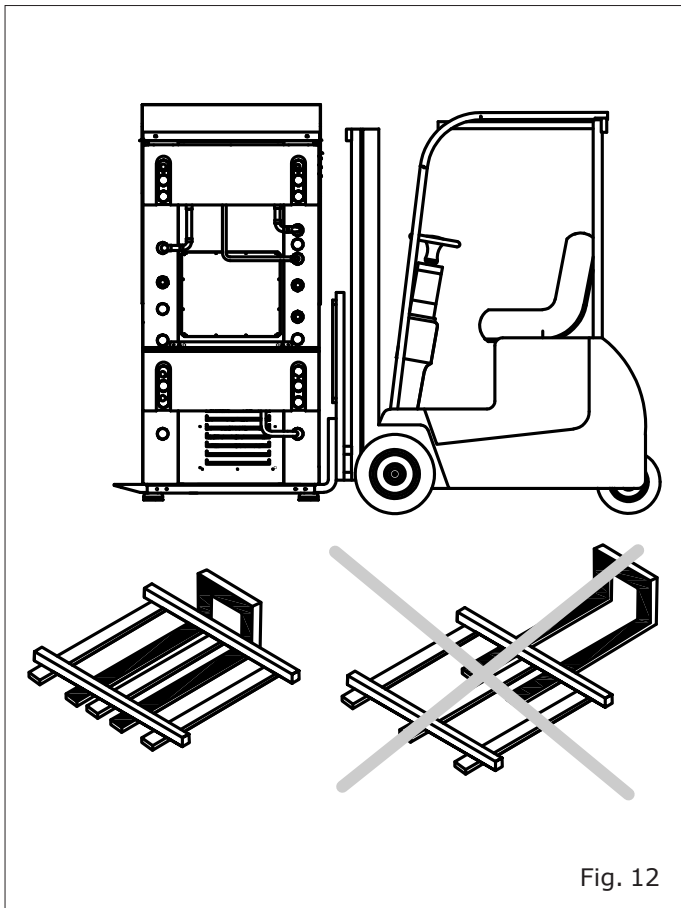
REMOTE accessory		Length A (mm)	Height C (mm)	Depth D (mm)
FTE	Module without enclosure	1200	1770	800
FTE	Module with enclosure	1200	2110	800

Model - Modello - Modèle Modell	<b>ECO2SMALL PLUS</b>	
Manufacturer - Fabbricante - Constructeur Hersteller	<b>Epta Spa</b> - Via Mecenate, 86 - 20138 Milano (MI) ITALIA Tel. 02/55403211 Telefax 02/55401023	

User manual

- EN
- IT
- FR
- DE

## 4. TRANSPORT OF REFRIGERATION PACK



### Chart III

Version	Maximum net weight without enclosure (kg)	Maximum net weight with non-soundproofed enclosure (kg)	Maximum net weight with soundproofed enclosure (kg)
3 MT	2040	2300	2420
2 MT + 1 ETE	1990	2260	2370
3 MT + 2 LT	2190	2460	2570
2 MT + 2 LT + 1 ETE	2190	2460	2570

Model - Modello - Modèle  
Modell

# ECO2SMALL PLUS



Manufacturer - Fabbricante - Constructeur  
Hersteller

**Epta Spa** - Via Mecenate, 86 - 20138 Milano (MI) ITALIA  
Tel. 02/55403211 Telefax 02/55401023

User manual

## 5. AMBIENT CONDITIONS

EN

IT

FR

DE

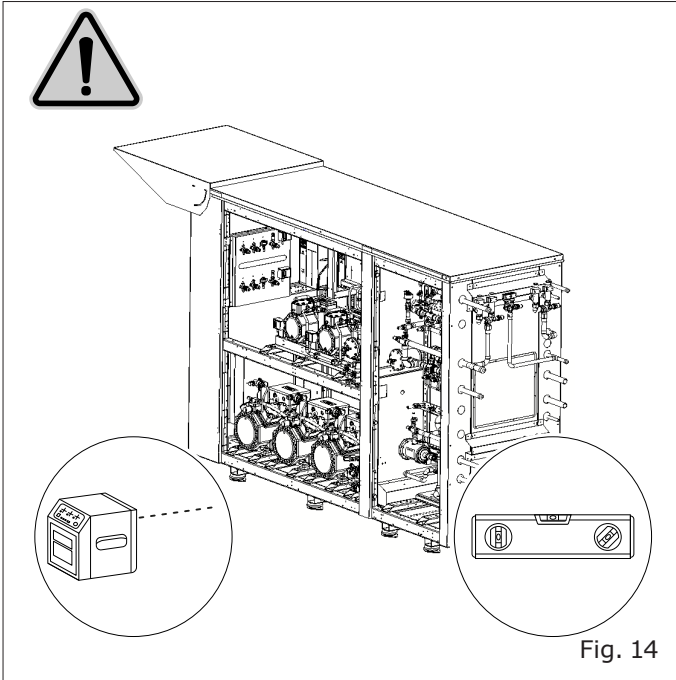


Fig. 14

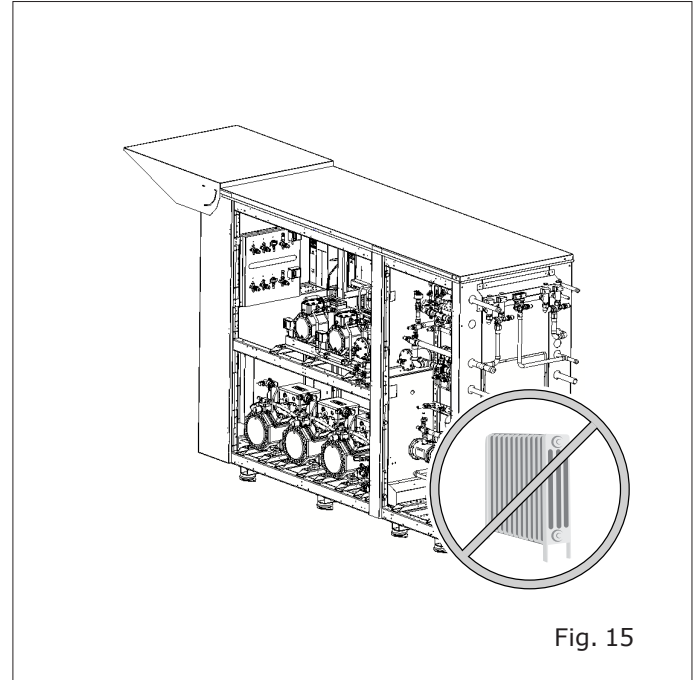


Fig. 15

### Chart IV

Characteristics	
Type of environment	Outdoor / Indoor
Temperature	<45°C
Soundproofed enclosure	Compulsory in case of outdoor environment

### Chart V

Version	Lp max without enclosure @10m (dB(A))	Lp max with soundproofed enclosure @10m (dB(A))
3 MT	58	53
2 MT + 1 ETE	57	51
3 MT + 2 LT	59	53
2 MT + 2 LT + 1 ETE	57	52

Model - Modello - Modèle Modell	<h1>ECO2SMALL PLUS</h1>	
Manufacturer - Fabbricante - Constructeur Hersteller	<b>Epta Spa</b> - Via Mecenate, 86 - 20138 Milano (MI) ITALIA Tel. 02/55403211 Telefax 02/55401023	

User manual

- EN
- IT
- FR
- DE

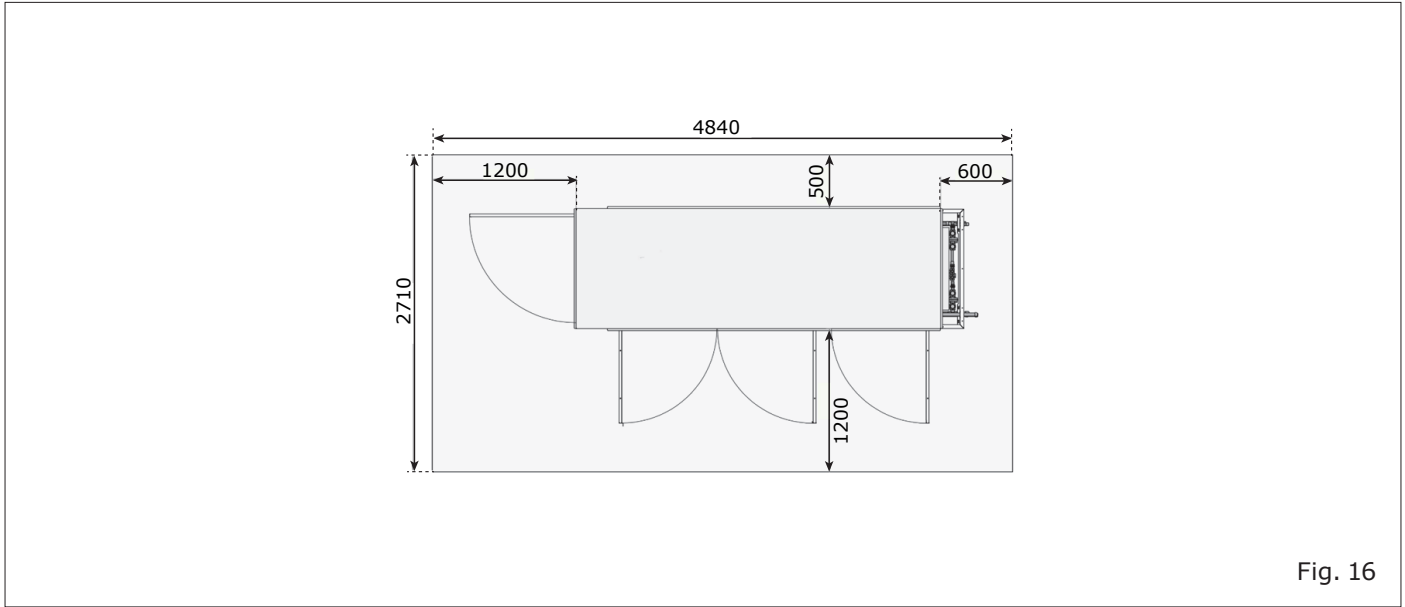


Fig. 16

Functional space for maintenance work

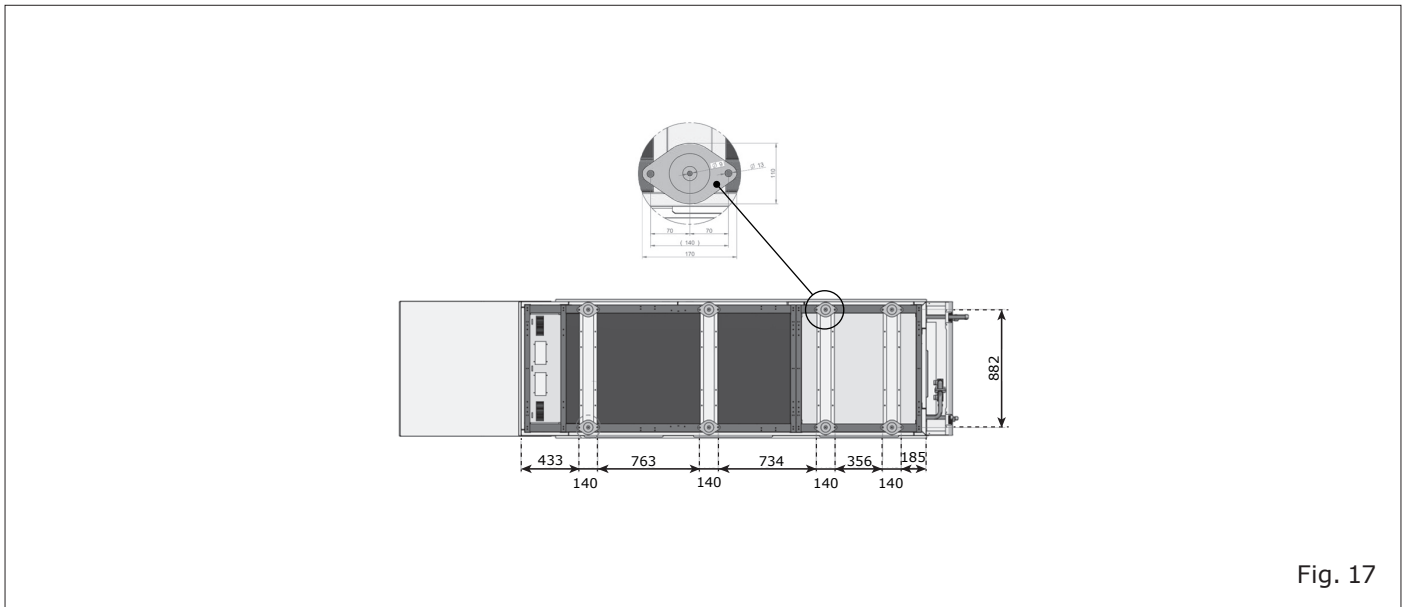


Fig. 17



Model - Modello - Modèle  
Modell

## ECO2SMALL PLUS



Manufacturer - Fabbricante - Constructeur  
Hersteller

**Epta Spa** - Via Mecenate, 86 - 20138 Milano (MI) ITALIA  
Tel. 02/55403211 Telefax 02/55401023

User manual

## 6. ELECTRICAL CONNECTION

EN

IT

FR

DE

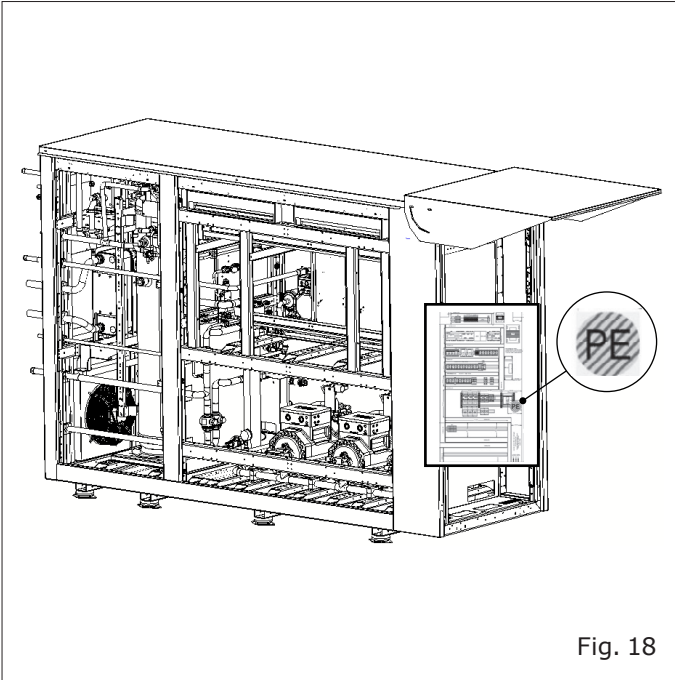
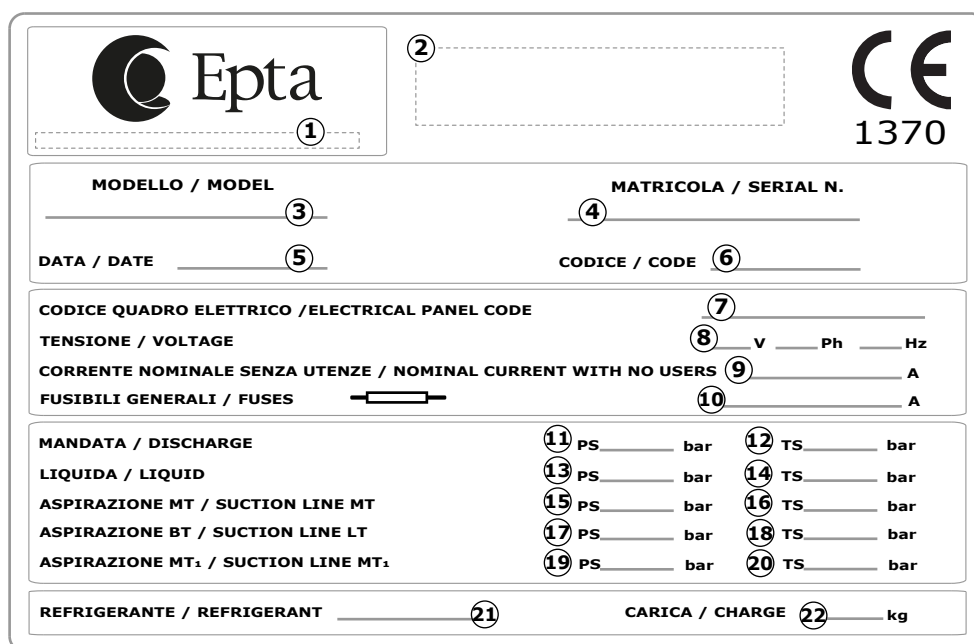


Fig. 18

Model - Modello - Modèle Modell	<b>ECO2SMALL PLUS</b>	
Manufacturer - Fabbricante - Constructeur Hersteller	<b>Epta Spa</b> - Via Mecenate, 86 - 20138 Milano (MI) ITALIA Tel. 02/55403211 Telefax 02/55401023	

## 7. TECHNICAL FEATURES



**Epta** **CE**  
1370

① \_\_\_\_\_

② \_\_\_\_\_


**MODELLO / MODEL** ③ \_\_\_\_\_ **MATRICOLA / SERIAL N.** ④ \_\_\_\_\_

**DATA / DATE** ⑤ \_\_\_\_\_ **CODICE / CODE** ⑥ \_\_\_\_\_

**CODICE QUADRO ELETTRICO / ELECTRICAL PANEL CODE** ⑦ \_\_\_\_\_

**TENSIONE / VOLTAGE** ⑧ \_\_\_\_\_ V \_\_\_\_\_ Ph \_\_\_\_\_ Hz

**CORRENTE NOMINALE SENZA UTENZE / NOMINAL CURRENT WITH NO USERS** ⑨ \_\_\_\_\_ A

**FUSIBILI GENERALI / FUSES**  ⑩ \_\_\_\_\_ A

**MANDATA / DISCHARGE** ⑪ PS \_\_\_\_\_ bar ⑫ TS \_\_\_\_\_ bar

**LIQUIDA / LIQUID** ⑬ PS \_\_\_\_\_ bar ⑭ TS \_\_\_\_\_ bar

**ASPIRAZIONE MT / SUCTION LINE MT** ⑮ PS \_\_\_\_\_ bar ⑯ TS \_\_\_\_\_ bar

**ASPIRAZIONE BT / SUCTION LINE LT** ⑰ PS \_\_\_\_\_ bar ⑱ TS \_\_\_\_\_ bar

**ASPIRAZIONE MT₂ / SUCTION LINE MT₂** ⑲ PS \_\_\_\_\_ bar ⑳ TS \_\_\_\_\_ bar

**REFRIGERANTE / REFRIGERANT** \_\_\_\_\_ ㉑ \_\_\_\_\_ **CARICA / CHARGE** ㉒ \_\_\_\_\_ kg

Fig. 19

- |   |   |
|---|---|
| <p>1. Origin of the product</p> <p>2. Barcode</p> <p>3. Model</p> <p>4. Serial number</p> <p>5. Date of production</p> <p>6. Hat Code</p> <p>7. Code of electric panel</p> <p>8. Rated voltage</p> <p>9. Rated current without utility</p> <p>10. Rated current general fuses</p> <p>11. Maximum permissible pressure supply line</p> <p>12. Maximum permissible temperature supply line</p> <p>13. Maximum permissible pressure liquid line</p> <p>14. Maximum permissible temperature liquid line</p> | <p>15. Maximum permissible pressure suction line MEDIUM TEMPERATURE utilities</p> <p>16. Maximum permissible temperature suction line MEDIUM TEMPERATURE utilities</p> <p>17. Maximum permissible pressure suction line LOW TEMPERATURE utilities</p> <p>18. Maximum permissible temperature suction line LOW TEMPERATURE utilities</p> <p>19. Maximum permissible pressure second suction line (ETE, AC, ...)</p> <p>20. Maximum permissible temperature second suction line (ETE, AC, ...)</p> <p>21. Type of refrigerant</p> <p>22. Refrigerating mass (for pre-loaded refrigeration pack)</p> |
|---|---|

Model - Modello - Modèle Modell	<b>ECO2SMALL PLUS</b>	
Manufacturer - Fabbricante - Constructeur Hersteller	<b>Epta Spa</b> - Via Mecenate, 86 - 20138 Milano (MI) ITALIA Tel. 02/55403211 Telefax 02/55401023	

## 8. USER INDICATIONS

### 8.1 Refrigerant fluid R744 in the transcritical regime cycle

The basic refrigeration cycle on R744 is composed by four transformations: compression, condensation, lamination or expansion (inverse principle of compression, this transformation occurs in the electronic or thermostatic valve before the evaporator) and evaporation.

The transcritical cycle is called that way because the transformation of condensation occurs above the critical point. When this happens we can no longer call it condensation but gas-cooling.

Working above the critical point pressure and temperature are no longer unequivocally determined, this means that a given temperature may correspond to more pressures. In this case, the temperature at the gas-cooler outlet is measured through which it is possible to find the pressure which optimises system performance (operation carried out constantly by the controller).

The MEDIUM and LOW TEMPERATURE utilities are served by the same liquid receiver; the compressors of the LOW TEMPERATURE utility discharge in suction to those of the MEDIUM TEMPERATURE utility, with the consequent presence of a single gas cooler.

### 8.2 Description of the refrigeration pack

This line of refrigeration packs is suitable as a refrigeration unit to serve commercial refrigeration.

It uses refrigerant R744 and works in a transcritical and subcritical regime.

STRUCTURE base and supporting frame in lasertube profiles and bent galvanised sheet metal (united by high-strength structural rivets or bolts and screws), subsequently painted with epoxy-polyester powders in RAL7016 and RAL7035 and mounted on anti-vibration supports

ANTI-VIBRATION SUPPORTS with central rubber core, secured at the factory to dedicated housings created on the stringers of the machine

PIPES piping in Cu R220 with maximum permissible pressure of 30bar, in CuFe K65 with maximum permissible pressure of 120bar, in AISI 304L with maximum permissible pressure of 130bar ("Fig. 7")

INSULATION insulation with flexible insulating material in extruded and expanded elastomer (FEF) for all the components of the suction line and liquid line (19mm) and liquid receiver (32mm)

COMPRESSORS semi-hermetic with pistons, equipped with electrical heating element on the crankcase

SPEED CONTROLLER for continuous regulation of speed and consequently of the refrigerant flow rate of compressors

Model - Modello - Modèle Modell	<b>ECO2SMALL PLUS</b>	
Manufacturer - Fabbricante - Constructeur Hersteller	<b>Epta Spa</b> - Via Mecenate, 86 - 20138 Milano (MI) ITALIA Tel. 02/55403211 Telefax 02/55401023	

## User manual

EN  
IT  
FR  
DE

**SAFETY PRESSURE SWITCHES** for each compressor of the MEDIUM and LOW TEMPERATURE utilities and for the ETE module compressor, in accordance with existing regulations in force in the specific Country

**HOT GAS AND LIQUID INJECTION VALVE** for the suction line of the MEDIUM TEMPERATURE and LOW TEMPERATURE utilities

**TRANSCRITICAL VALVE (HPV)** with external filter

**FLASH GAS BY-PASS VALVE**

**LIQUID RECEIVER** of 110L with maximum permissible pressure of 60bar, **INTEGRATED** into refrigeration pack

**OIL SYSTEM IN HIGH PRESSURE** inclusive of oil separator, reserve, safety valve and oil injection regulators for each compressor

**SAFETY VALVES** on each line, **INTEGRATED** into the refrigeration pack ("Fig. 8")

**FILTERS** on suction line to the MEDIUM and LOW TEMPERATURE utilities and on liquid line

**ELECTRIC PANEL** (**INTEGRATED** into refrigeration pack)

**SWITCHON PACK SET-UP** (**INTEGRATED** electrical connection into the refrigeration pack, equipped with supply controllers Carel and Danfoss)

**SMART SYSTEM SET-UP (ICE)**

**GAS COOLER FANS BACKUP** manual electric circuit for operation of gas cooler fans at maximum speed

**FIELD OF APPLICATION:** medium-small commercial activities (discounts and supermarkets) with sales area from 800m<sup>2</sup> to 1.700m<sup>2</sup>

**FIELD OF USE:**

- Utility **LOW TEMPERATURE** from 5,5kW to 23kW  
with reference to the following conditions:  
 $T_{\text{evaporation}} = -32^{\circ}\text{C}$ ,  $T_{\text{condensation}} = -8^{\circ}\text{C}$

- Utility **MEDIUM TEMPERATURE** from 35kW to 106kW  
with reference to the following conditions:  
 $T_{\text{evaporation}} = -8^{\circ}\text{C}$ ,  $T_{\text{gascooler}} = +40^{\circ}\text{C}$

**MAXIMUM PERMISSIBLE PRESSURE**

- Delivery 120bar
- Suction MEDIUM TEMPERATURE utility 45bar / 53bar / 60bar
- Suction LOW TEMPERATURE utility 30bar / 60bar
- Liquid line 45bar / 60bar
- Liquid receiver 60bar
- ETE module suction 100bar (optional)

The general characteristics and the dimensions are illustrated in the figures and in the sections contained in "General description" (from pg. "8" to pg. "13").

Model - Modello - Modèle Modell	<b>ECO2SMALL PLUS</b>	
Manufacturer - Fabbricante - Constructeur Hersteller	<b>Epta Spa</b> - Via Mecenate, 86 - 20138 Milano (MI) ITALIA Tel. 02/55403211 Telefax 02/55401023	

### 8.3 Transport and handling

The refrigeration pack is contained in a specific wrapping with handling chutes or pallets, according to the handling needs, and pressure-loaded with nitrogen.



Before starting the lifting operations, check that the refrigeration pack is balanced, stable and pressure-relieved

For the transportation and handling of the refrigeration pack use:

- A lift truck suited to lifting the refrigeration pack with suitable characteristics compliant with the regulations in force ("Fig. 12")



Before starting the lifting operations, check that the chutes are firmly attached to the base of the refrigeration pack.

- A crane suited to lifting the refrigeration pack, with suitable characteristics compliant with the regulations in force ("Fig. 13")



Position the lifting bars at the points marked on the frame, using spacers which protect the refrigeration pack from damage to its structure.



Before moving the refrigerated pack, lift it enough to remove the chutes and complete the lifting.



Use a lifting beam to avoid damaging the electric panel, frame and enclosure (if present).

The weights of the refrigeration pack (without and with wrapping) and the dimensions of the packaging are shown in the tables "Chart I" and "Chart III".

The handling operations must be carried out by qualified staff able to assess weights, lifting points and most suitable means in terms of safety and capacity.



Do not make sudden movements or impacts that could compromise the integrity and functionality of the components of the refrigeration unit.

### 8.4 Receipt and storage

Check the conditions of the wrapping before taking delivery of the refrigeration pack from the carrier.

If there is obvious damage in the packaging:

- Remove the wrapping from the refrigeration pack in the presence of the carrier
- Sign the delivery document with reservation

The manufacturer shall not be held liable for any damage due to the transport or wrong storage of the refrigeration pack.



If the refrigeration pack is not equipped with an enclosure, the refrigeration pack must be kept away from the sun and bad weather.



The cold pack is shipped and delivered complete with a charge of pressurised nitrogen in the refrigeration circuit. Discharge the pressure before starting the handling and installation phases.

Model - Modello - Modèle Modell	<b>ECO2SMALL PLUS</b>	
Manufacturer - Fabbricante - Constructeur Hersteller	<b>Epta Spa</b> - Via Mecenate, 86 - 20138 Milano (MI) ITALIA Tel. 02/55403211 Telefax 02/55401023	

User manual

EN  
IT  
FR  
DE

## 8.5 Installation and ambient conditions



The cold pack is shipped and delivered complete with a charge of pressurised nitrogen in the refrigeration circuit. Discharge the pressure before starting the handling and installation phases.

For a correct operation of the refrigeration pack, check that it is positioned:

- On a levelled floor ("Fig. 14").
- Away from heat sources and from risks of fire ("Fig. 15").



Choose the place of installation of the refrigeration plant to avoid, at any time, the condensation of humidity present in the air.



Respect functional spaces necessary for proper operation and adequate maintenance ("Fig. 16").

After positioning it definitively, it is necessary to secure the refrigeration pack rigidly to the base using the securing holes on the anti-vibration plinths ("Fig. 17").

The ambient conditions in which to place the refrigeration pack are set out in "Ambient conditions" (chart "Chart IV").



It is recommended that the connection pipes between the refrigeration pack and the other components of the system be installed in a workmanlike manner.



It is advisable to pay particular attention to ensuring the return of oil to the compressors (for example, installation of siphons and minimum velocity in the pipes).



It is advisable to pay particular attention to limiting pressure drops along the suction lines (a good rule of thumb is not to exceed 1,5kPa).

Model - Modello - Modèle Modell	<b>ECO2SMALL PLUS</b>	
Manufacturer - Fabbricante - Constructeur Hersteller	<b>Epta Spa</b> - Via Mecenate, 86 - 20138 Milano (MI) ITALIA Tel. 02/55403211 Telefax 02/55401023	

## INSTALLATION IN TECHNICAL ROOM

For installation in the technical room or machine room, dedicated openings on the perimeter walls or aeraulic devices must guarantee an airflow, to comply with the regulations in force, to avoid hazardous concentrations of refrigerant.

In particular:

- free passage of air from windows, grilles and air inlets or ducts must not be prevented by walls or barriers
- the ventilation hole must not vent towards openings of other rooms
- attention must be paid to density of refrigerant
- it must be possible to operate the fans from the outside and from the inside
- in the case of machine rooms installed below ground, the control switch from the outside of the special machine room must be positioned on the ground floor



If installed in a technical room, provide a detector for R744 concentration in the atmosphere to provide alarm signal or the operation of appropriate air exchange systems.



The alarm of the R744 concentration detector must be positioned outside the technical room to prevent the entry of authorized personnel inside the room if the alarm is still on.

## INSTALLATION OUTDOORS

For outdoor installation, the final location of the refrigeration pack must consider the need to:

- minimize the acoustic pollution produced (positioning the refrigeration pack as far as possible from populated areas and avoiding the possible sources of sound wave reflection)
- position the refrigeration pack away from flammable materials minimizing the risk of fire
- position the refrigeration pack away from sources of heat minimising the possibility of refrigerant discharge in the environment

Model - Modello - Modèle Modell	<b>ECO2SMALL PLUS</b>	
Manufacturer - Fabbricante - Constructeur Hersteller	<b>Epta Spa</b> - Via Mecenate, 86 - 20138 Milano (MI) ITALIA Tel. 02/55403211 Telefax 02/55401023	

## 8.6 Electrical connection

The electric panel of the refrigeration pack is designed for 380V-400V/3ph/50Hz power supplies.

To earth the refrigeration pack a connection point is provided formed by a screw with nut and a mark with symbol on ground ("Fig. 18"), as the equipotentiality of the metallic structure is guaranteed with a particular assembly system.

It must be powered with cable of adequate cross-section for the power of the unit and according to the installation site conditions.



It is necessary and essential to connect the refrigeration pack to the earthing system of the building.



The electric installation of the refrigeration pack must be carried out in accordance with existing regulations in force in the specific Country.

It is also necessary to verify:

- tightness to the terminal block of those electric cables which have no spring-loaded terminals (e.g. the motor power cables connected to the contactor), because during transport and handling the vibrations could have caused them to come loose
- the cabling of the electric panel, ensuring that the connection sleeves are not in contact with the pipes of the refrigerant or against the compressor and that in no way wear can occur following friction or contact with high temperature surfaces or the formation of condensation
- the presence of power in all phases

The registration plate on the machine shows, among other data, the value of the maximum rated current (A). This value does not consider the fan consumption of any gas cooler.

### ENTRY POINT OF POWER CABLES TO ELECTRIC PANEL

The entry point of the power cables must occur from the bottom using the plate positioned on the bottom of the electric panel (the plate is on the right and it is accessed by opening the electric panel). To maintain the protection level of the electric panel dedicated cable glands must be used.



During drilling for cable passage, prevent metal shavings entering the electric panel: DANGER OF SHORT CIRCUIT



All the components of the refrigeration pack must be protected from the possible penetration of water. Comply with the IP rating of the electric components in areas where water is in the immediate vicinity.

## 8.7 Technical features

The registration plate shows the technical data of the refrigeration pack. Its position and type of data are shown in "Technical features" ("Fig. 19").



Model - Modello - Modèle Modell	<b>ECO2SMALL PLUS</b>	
Manufacturer - Fabbricante - Constructeur Hersteller	<b>Epta Spa</b> - Via Mecenate, 86 - 20138 Milano (MI) ITALIA Tel. 02/55403211 Telefax 02/55401023	

## 8.8 Accessories and options

### Enclosure

pannelling in hot-dip galvanised sheet metal and painted with epoxy-polyester powders in colour RAL7035, secured to the frame with rivets or screws; cover panel with "diamond" shape bending to avoid water stagnation

### Rain roof

electric panel front cover in sheet metal

### Soundproof cover for enclosure

panel composed of a layer of polyester fibre (thickness 25mm and density 45kg/m<sup>3</sup>) and rubber (thickness 4mm and surface mass 8kg/m<sup>2</sup>)

### FTE Module

additional liquid receiver

Available as REMOTE module (to install and connect on site) or INTEGRATED into refrigeration pack

### ETE Module

subcooling module INTEGRATED into refrigeration pack

Components of the module: dedicated compressor with electronic expansion valve, plate heat exchanger, capacity controller and motorized valve



To avoid the risk of liquid entrapment in the pipeline, the factory setting of the minimum opening degree of the ETE module expansion valve must not be changed.

### Air desuperheater electric panel for LOW TEMPERATURE utilities

by-pass system to insert the desuperheater in the discharge line of the compressors for LOW TEMPERATURE utilities

Components of the module: mechanical by-pass, electric panel to manage air desuperheater (REMOTE and provided separately by the Customer)

### Heat recovery module

plate exchanger to recover heat on the discharge temperature of the compressors for MEDIUM TEMPERATURE utilities, through a hydraulic circuit

The module is provided INTEGRATED into refrigeration pack, with hydraulic and safety connections to carry out on site (provided by the Customer and in accordance with existing regulations in force in the specific Country)



Take all necessary measures to prevent the water in the plate exchanger from freezing.

### Economiser

plate exchanger positioned between the suction line of the MEDIUM TEMPERATURE utility and gas cooler return line



The economiser is not selectable in combination with ETE Module.

### Utility release pressure switch

mechanical pressure switch to disconnect the utilities from the electric panel or in case of high pressure in suction

### R744 backup unit

auxiliary cooling unit: it turns on in case the system shuts down to keep the pressure of the liquid receiver constant.

The electrical connections of the module must be carried out on site (provided by the Customer and in accordance with existing regulations in force in the specific Country)

### Oil separatorbypass

mechanical system to exclude the oil separator

### Push-button

electrically connected according to the wiring diagram

Model - Modello - Modèle Modell	<b>ECO2SMALL PLUS</b>	
Manufacturer - Fabbricante - Constructeur Hersteller	<b>Epta Spa</b> - Via Mecenate, 86 - 20138 Milano (MI) ITALIA Tel. 02/55403211 Telefax 02/55401023	

## 8.9 Maintenance and periodic checks

Constant monitoring of the machine's condition and correct maintenance are a guarantee of reliability and smooth operation of the entire system over time.

There is also a series of checks which authorized personnel can carry out periodically: simple visual checks on the condition of the key components of the pack.

### Maintenance frequency



Maintenance work must only be carried out by authorised personnel.

#### AFTER 15 DAYS SINCE START carry out

- detect delivery pressure
- detect suction pressure
- measure supply voltage
- measure current intensity
- the replacement of the drier filters (mechanical filters on the suction line, solid filter on the liquid line)
- detect pressure difference between delivery (pressure gauge) and pressure at gas cooler read by the controller ( $Dp_{max} = 0,8bar$ )

#### AFTER 1 MONTH SINCE START carry out

- replacement of oil separator filter
- monitoring the pressure difference between the inlet (pressure gauge) and outlet (pressure tap) of the oil separator



For the pressure difference value to be considered between the inlet (pressure gauge) and outlet (pressure tap) of the oil separator, refer to the documentation made available by the supplier.

#### ONCE A MONTH carry out

- tighten electric contacts
- tighten fittings
- check compressor oil level
- check oil separator
- check oil reserve
- check liquid and humidity sight glass

#### EVERY SIX MONTHS carry out

- check suction filters

#### ONCE A YEAR carry out

- the check of all the filters and replacement of the one on the liquid line
- check the fastening of the screws and the electrical connections



If necessary, first interrupt the power supply to the cold pack to proceed with the intervention.



Pay attention to hot parts.

Model - Modello - Modèle Modell	<b>ECO2SMALL PLUS</b>	
Manufacturer - Fabbricante - Constructeur Hersteller	<b>Epta Spa</b> - Via Mecenate, 86 - 20138 Milano (MI) ITALIA Tel. 02/55403211 Telefax 02/55401023	

## System maintenance

### FILTER REPLACEMENT

An excessive loss of load through the suction filters is an indication that the micro-filtering mechanical cartridge is clogged due to residual impurities in the system.

The cartridges need to be replaced.

Before replacing the filters, it is necessary to intercept and unload the section of the refrigeration pack involved, as follows:

- turn off the tap upstream (supply of refrigerant) of the circuit to be sectioned
- wait 5-10 minutes to allow the refrigerant in the liquid state present in the circuit to evaporate due to the suction of the compressors
- turn off the tap downstream of the user too
- slowly open the discharge tap before intervening on the circuit



If the discharge tap is closed, the pressure which could be created by evaporation of small amounts of refrigerant (due to highening of the ambient temperature) is discharged by the safety valves connected to the sectioned circuit.



Before re-opening the taps, during refrigerant load, it is necessary to vacuum the circuit by connecting the pump to the drain tap.

### REPLACEMENT OF SAFETY VALVE

It is recommended to replace the safety valve in case the latter has tripped: during discharge, the accumulation of residues of processing waste of components and pipes on the sealing element, may result in faulty seal in retro-closure; consequently, refrigerant could leak from the same during regular operation of the machine.



Before proceeding with the replacement of the manouver valve, check that the system is not under pressure or at a high temperature.

### TOP UP OIL



Use only POE BSE85K oil.

For correct management of oil system refer to the following document:

- SE-TS050\_120bar oil system management



During any oil top up, due to its strong hygroscopicity, it is necessary to limit the opening time of the circuit and of the oil containers to that strictly required to carry out the work.

Model - Modello - Modèle Modell	<b>ECO2SMALL PLUS</b>	
Manufacturer - Fabbricante - Constructeur Hersteller	<b>Epta Spa</b> - Via Mecenate, 86 - 20138 Milano (MI) ITALIA Tel. 02/55403211 Telefax 02/55401023	

## User manual

EN

### SERVICE SAFETY - SERVICE VALVES

The maintenance of sections of the piping or components under pressure must be carried out in safety.

If the service valve is present it is usually installed on the pressure connection of the corner tap.

With this type of corner tap, when the latter is open, the pressure connection is isolated from the rest of the circuit. When the corner tap is closed, the pressure connection (and hence the service valve) is put into communication with the fluid.

The service valves are installed close to the circuit to be excluded and, considering the reduced presence of carbon dioxide in the section involved, can discharge into an internal area.

During operation, at the points in which the safety valves are installed, the corner tap must be open.

If there are no service valves present, the technician must connect a safety accessory or a pressure gauge to one of the two pressure connections. This allows to monitor the pressure to check that the refrigerant has been evacuated correctly.

IT

FR

DE

### Periodic checks on the refrigeration pack

For smooth operation of the refrigeration pack over time, we recommend the following periodic checks:

- structural integrity of the machine
- oxidised parts ( any presence of rust must be removed: check origin and proceed, if necessary, to repair)
- leaks (strange oil stains on the floor, formation of condensation caused by damaged insulation, leaks through pipes, for example in the fittings of a water condenser, require immediate intervention by the authorized service centre)
- integrity of the power supply line (the connection cable of the refrigeration pack to the main power line must not be cut, cracked or present anomalies that compromise its insulation)



No differential for the refrigeration pack, after its installation, it must be assembled upstream of the power supply.

- correct tightening of the screws of the compressor delivery taps (refrigeration pack operating in transcritical regime)
- Presence and correct securing of pipe clamps
- Condition of filters

Model - Modello - Modèle Modell	<b>ECO2SMALL PLUS</b>	
Manufacturer - Fabbricante - Constructeur Hersteller	<b>Epta Spa</b> - Via Mecenate, 86 - 20138 Milano (MI) ITALIA Tel. 02/55403211 Telefax 02/55401023	

## 8.10 Emergency situations

### An uncontrolled increase in pressure has occurred in the HIGH PRESSURE circuits:

- Check for failures of the control devices.
- Check that the secondary fluid in the condenser and in the gas cooler has not undergone a rise in temperature during operation of the compressors.
- Check that there is no prolonged shutdown of the compressors.
- Check that there is no insufficient flow rate or high temperature of the secondary fluid during operation of the compressors.
- Exclude the presence of a source of heat at the sides of the HIGH PRESSURE circuit.

### An uncontrolled increase has occurred in the pressure of the LOW PRESSURE circuits:

- Check that there is no prolonged shutdown of the compressors.
- Exclude the presence of a source of heat at the sides of the LOW PRESSURE circuit.

### A leakage of refrigerant under pressure has occurred:

- Check for any recent operation of the system valves.
- Check for any recent disassembly of system components.

### Changes found to the setting values or exclusion of the control, command and safety electric circuits of the system:

- Check for recent work on the electric panels and on parts of the actuators by authorized personnel.

### Refrigerant has leaked from the system and, at the same time, inhibition of safety valve of the HIGH PRESSURE circuit:

- Check for closure of the compressor delivery taps on the HIGH PRESSURE circuit and to the condenser/gas cooler by authorized personnel.

### Refrigerant has leaked from the system and inhibition of safety devices:

- Check for a recent replacement of components on electric panels by authorized personnel.

### Stress found in the piping and system joints:

- Check that following thermal dilation, the straight long sections have not been lengthened and contracted.
- Check that due to lack of anti-vibration supports on the refrigeration pack, the vibrations emitted from the latter give way to stress.
- Check that there has been no movement of system components.

### A component of the system has failed:

- Check that HIGH or LOW TEMPERATURES have not weakened or reduced the strength of the materials of the system components.
- Check for any unusual vibrations.
- Check correct tightening of the screws and pipe clamps, which excludes the intervention of pressure switches of the MIDDLE TEMPERATURE utility compressors

EN

IT

FR

DE

Model - Modello - Modèle Modell	<b>ECO2SMALL PLUS</b>	
Manufacturer - Fabbricante - Constructeur Hersteller	<b>Epta Spa</b> - Via Mecenate, 86 - 20138 Milano (MI) ITALIA Tel. 02/55403211 Telefax 02/55401023	

EN

IT

FR

DE

**A dangerous discharge of overpressure has occurred from the system:**

- Check that the safety devices, if remote, are installed in the suitable position.
- check the piping is not obstructed by atmospheric agents and that the discharge occurs away from people or property.
- Check that the outflow of the safety valves is unrestricted and does not give rise to the formation of dry ice which can clog the drain.

**Abrasion zones are created on the contact points between pipes and support points:**

- Check that material of low hardness is placed between the pipes and support points.

If the preceding emergency situations do not depend on the listed reasons, contact your closest authorised service centre.

**8.11 Technical assistance**

If the intervention of technical assistance staff is required, contact the supplier where you purchased the refrigeration pack without delay. If you need to use spare parts always refer to the technical assistance service: ask and ensure that original spare parts are used.

**8.12 Dismantling and elimination**

In accordance with the regulations for waste disposal in force in the Specific Country and to respect the environment in which we live, the refrigeration pack or parts of it which are possibly decommissioned should be appropriately disposed of.

All the component parts of the refrigeration pack are not comparable to solid urban waste with the exception of metal parts which do not come under special waste for most European Countries.

The components of the refrigeration circuit must not be cut and/or separated before the circuit is discharged, with the recovery of refrigerant gas by qualified personnel.

The oil contained in the compressors must be appropriately recovered by qualified personnel.

Model - Modello - Modèle Modell	<b>ECO2SMALL PLUS</b>	
Manufacturer - Fabbricante - Constructeur Hersteller	<b>Epta Spa</b> - Via Mecenate, 86 - 20138 Milano (MI) ITALIA Tel. 02/55403211 Telefax 02/55401023	

## 9. SUPPLEMENTARY GENERAL WARNINGS

### Instructions for correct installation and maintenance

The user and maintenance instructions are found in the User Manual available on the websites:

[www.costan.com](http://www.costan.com) and [www.bonnetneve.com](http://www.bonnetneve.com).

The installation instructions dedicated to expert staff are available:

- From the service network
- In some categories of product in paper format delivered together with the product

### Professional repair services

The services are provided by our service network which can be consulted in the contacts area at the website address [www.eptarefrigeration.com](http://www.eptarefrigeration.com).

### Spare parts

The spare parts and the information for the repair of the appliance are available for at least 8 years after the product is declared out of production at the following web address: [www.epta-service.com/service](http://www.epta-service.com/service).

The log-in credentials are provided on request to send via mail to: [servicesupport@eptarefrigeration.com](mailto:servicesupport@eptarefrigeration.com).

### Ambient conditions

This appliance is intended to function in environments in which the temperature and humidity fall within the limits provided for in the User and maintenance manual.

### Instructions for disassembly

For disassembly activities, it is necessary to contact the professional operators.

The Epta Group, which has always been driven by a special attention for the environment, makes available the dismantling and waste treatment manuals to users, downloadable below

The dismantling manual is available in the site: [www.eptarefrigeration.com](http://www.eptarefrigeration.com).

### Limits of application



This refrigeration pack is designed for use, transportation and storage up to a maximum altitude of 1000m above sea level.q

#### Storage:

- Temperature between -20°C and 45°C

#### Transport:

- Temperature between -20°C and 45°C

#### Installation:

- Temperature between 0°C and 45°C

#### Use:

- Temperature between 0°C and 45°C

The performance of the coldroom is not guaranteed outside its normal use.

For the correct management of the operating limits of the components installed on board the pack, refer to the documentation made available by the relevant suppliers.

Model - Modello - Modèle Modell	<b>ECO2SMALL PLUS</b>	
Manufacturer - Fabbricante - Constructeur Hersteller	<b>Epta Spa</b> - Via Mecenate, 86 - 20138 Milano (MI) ITALIA Tel. 02/55403211 Telefax 02/55401023	

## 10. REFERENCE DIRECTIVES AND REGULATIONS

EUROPEAN DIRECTIVE	EUROPEAN STANDARDS	UK DIRECTIVE	UK STANDARDS
Directive 2014/35/EU on the harmonisation of the laws of the Member States relating to the making available on the market of electrical equipment designed for use within certain voltage limits	EN 61439-1	Electrical Equipment ( S a f e t y ) Low Voltage Regulations	BS EN IEC 61439-1
Directive 2014/30/EU on the harmonisation of the laws of the Member States relating to electromagnetic compatibility	EN 61000-6-1	EMC Regulations	BS EN IEC 61000-6-1
Directive 2013/35/EU on the minimum health and safety requirements regarding the exposure of workers to the risks arising from physical agents (electromagnetic fields)	-	The Control of Electromagnetic Fields	-
Directive 2014/68/EU on the harmonisation of the laws of the Member States relating to the making available on the market of pressure equipment	EN 14276-1	Pressure Equipment (Safety)	-
	EN 14276-2		-
Directive 2006/42/EC on machinery	EN 60204-1	Supply of Machinery (Safety)	BS EN 60204-1
	EN 378-1		BS EN 378-1
	EN 378-2		BS EN 378-2
	EN 378-3		BS EN 378-3
	EN 378-4 + A1		BS EN 378-4 + A1
	EN ISO 13849-1		BS EN ISO 13849-1
	EN ISO 13849-2		BS EN 12102
	EN ISO 4871		BS EN ISO 4871
	ISO 9614-3		BS EN ISO 9614-3
	EN 614-2		BS EN 614-2 + A1
EN ISO 12100	-		



Model - Modello - Modèle Modell	<b>ECO2SMALL PLUS</b>	
Manufacturer - Fabbricante - Constructeur Hersteller	<b>Epta Spa</b> - Via Mecenate, 86 - 20138 Milano (MI) ITALIA Tel. 02/55403211 Telefax 02/55401023	

EUROPEAN DIRECTIVE	EUROPEAN STANDARDS	UK DIRECTIVE	UK STANDARDS
Regulation (EU) 2024/590 on substances that deplete the ozone layer Regulation (EC) No 1005/2009 on substances that deplete the ozone layer	-	The Ozone-Depleting Substances and Fluorinated Gases (Amendment etc)	-
Regulation (EU) 2024/573 on fluorinated greenhouse gases	-	Fluorinated gas (F gas): guidance for users, producers and traders F-Gas on fluorinated greenhouse gases	-
Regulation (EU) 2023/66 amending Regulation (EU) 2021/821 of the European Parliament and of the Council as regards the list of dual-use items	-	The Trade in Torture etc. Goods (Amendment)	-
-	ISO 14040 – 14043	-	BS EN ISO 14040 + A1

EN

IT

FR

DE



The directives/regulations refer to the most recent year of publication



Model - Modello - Modèle Modell	<b>ECO2SMALL PLUS</b>	
Manufacturer - Fabbricante - Constructeur Hersteller	<b>Epta Spa</b> - Via Mecenate, 86 - 20138 Milano (MI) ITALIA Tel. 02/55403211 Telefax 02/55401023	

**INDICE**

<b>1. Introduzione</b>	<b>4</b>
<b>2. Avvertenze di sicurezza</b>	<b>5</b>
2.1 Avvertenze generali	5
2.2 Avvertenze per la Manutenzione della centrale frigorifera	6
2.3 Avvertenze elettriche	6
2.4 Divieti	7
<b>3. Descrizione generale</b>	<b>8</b>
3.1 Sezioni	12
<b>4. Trasporto della centrale frigorifera</b>	<b>14</b>
<b>5. Condizioni ambientali</b>	<b>15</b>
<b>6. Collegamento elettrico</b>	<b>17</b>
<b>7. Caratteristiche tecniche</b>	<b>18</b>
<b>8. Indicazioni utente</b>	<b>19</b>
8.1 Il fluido refrigerante R744 nel ciclo in regime transcritico	19
8.2 Descrizione della centrale frigorifera	19
8.3 Trasporto e movimentazione	21
8.4 Ricezione ed immagazzinamento	21
8.5 Installazione e condizioni ambientali	22
8.6 Collegamento elettrico	24
8.7 Caratteristiche tecniche	24
8.8 Accessori ed opzioni	25
8.9 Manutenzione e verifiche periodiche	26
8.10 Situazioni di emergenza	29
8.11 Assistenza tecnica	30
8.12 Smantellamento ed eliminazione	30
<b>9. Avvertenze generali integrative</b>	<b>31</b>
<b>10. Direttive e Normative di riferimento</b>	<b>32</b>

**SIMBOLOGIA UTILIZZATA**

Simbolo divieto: vieta di effettuare determinate operazioni.



Simbolo attenzione: norme antinfortunistiche per l'operatore.



Simbolo avvertenze: esiste la possibilità di arrecare danno alla centrale frigorifera e/o ai suoi componenti.



Simbolo nota: fornisce informazioni utili.

Model - Modello - Modèle Modell	<b>ECO2SMALL PLUS</b>	
Manufacturer - Fabbricante - Constructeur Hersteller	<b>Epta Spa</b> - Via Mecenate, 86 - 20138 Milano (MI) ITALIA Tel. 02/55403211 Telefax 02/55401023	

## 1. INTRODUZIONE

Si raccomanda di leggere attentamente il contenuto del presente Manuale e conservarlo unitamente alla centrale frigorifera stessa.

Il costruttore declina ogni responsabilità per danni causati a persone o cose dovuti alla mancata osservanza delle avvertenze contenute in questo Manuale.



Il presente Manuale contiene informazioni ritenute necessarie per il buon uso e funzionamento della centrale frigorifera.

Al suo interno si trovano le seguenti descrizioni e informazioni:

- una descrizione funzionale della centrale frigorifera e di ogni sua parte
- informazioni sulla sicurezza della centrale frigorifera e le regole antinfortunistiche da seguire
- un corretto utilizzo della centrale frigorifera
- una corretta manutenzione ordinaria e programmata, comprese le operazioni di pulizia

Il presente Manuale si riferisce alla centrale frigorifera nelle sue diverse parti (suddivise e spedite con colli separati):

- frigorifera
- elettrica (comprensiva di quadro elettrico)
- idraulica (comprensiva di moduli aggiuntivi)

Informazioni non contenute nel presente Manuale:

- Istruzioni di installazione

Per la corretta installazione della centrale frigorifera si faccia riferimento ai seguenti documenti:

- Quick Reference Instructions

Il presente Manuale è rivolto alle seguenti figure professionali:

- **OPERATORE QUALIFICATO** persona qualificata, istruita per il funzionamento, la regolazione, la pulizia e la manutenzione ordinaria della centrale frigorifera
- **TECNICO SPECIALIZZATO** tecnico addestrato e autorizzato dall'ente indicato nel contratto (costruttore/concessionario/distributore) a eseguire: installazione, manutenzione straordinaria, riparazione, sostituzione e revisione della centrale frigorifera

Le istruzioni d'uso sono disponibili anche su: [www.eptarefrigeration.com](http://www.eptarefrigeration.com).

**Fare riferimento alla dichiarazione di conformità per le normative e le certificazioni della centrale frigorifera.**

Model - Modello - Modèle Modell	<b>ECO2SMALL PLUS</b>	
Manufacturer - Fabbricante - Constructeur Hersteller	<b>Epta Spa</b> - Via Mecenate, 86 - 20138 Milano (MI) ITALIA Tel. 02/55403211 Telefax 02/55401023	

## 2. AVVERTENZE DI SICUREZZA

### 2.1 Avvertenze generali



Il costruttore declina ogni responsabilità per danni causati a persone o cose dovuti alla mancata osservanza delle avvertenze contenute in questo manuale. Qualsiasi persona utilizzi questa centrale frigorifera dovrà leggere il presente manuale d'uso.



Il datore di lavoro deve istruire il personale sui rischi da infortuni, sui dispositivi predisposti per la sicurezza del personale, sui rischi di emissione di rumore e sulle regole antinfortunistiche generali previste dalle norme in vigore.



La centrale frigorifera deve essere utilizzata da persone adulte in possesso della conoscenza necessaria e le cui capacità fisiche, sensoriali o mentali non siano ridotte; la centrale frigorifera non è concepita per l'utilizzo da parte di minori (in particolare da 0 a 3 anni). I bambini, comunque sotto la sorveglianza e la responsabilità di adulti, non devono giocare con la centrale frigorifera.



Ogni altro uso non esplicitamente indicato in questo manuale è da considerarsi pericoloso ed il costruttore non può essere ritenuto responsabile per eventuali danni derivanti da uso improprio, erraneo ed irragionevole.



La centrale frigorifera deve essere utilizzata da personale dotato degli opportuni dispositivi di protezione individuali.



È obbligatorio l'uso di guanti da lavoro.



Non lasciare esposta la centrale frigorifera senza cofanatura agli agenti atmosferici.



Non utilizzare getti d'acqua diretti o indiretti sulla centrale frigorifera.



La rimozione di protezioni o pannellature che richiedono l'uso di utensili per essere rimosse è riservata esclusivamente al personale qualificato.



Per il montaggio di accessori opzionali dedicati, rivolgersi al più vicino centro di assistenza autorizzato.



Ogni intervento deve essere eseguito esclusivamente da personale qualificato e, in ogni caso, prima di ogni intervento si deve scollegare l'alimentazione elettrica della centrale frigorifera.



Prestare attenzione alle parti calde o in movimento contrassegnate con l'apposito simbolo.



In caso di incendio, non usare acqua per spegnere le fiamme ma solo estintori a secco.



Non danneggiare il circuito refrigerante.

Model - Modello - Modèle Modell	<b>ECO2SMALL PLUS</b>	
Manufacturer - Fabbricante - Constructeur Hersteller	<b>Epta Spa</b> - Via Mecenate, 86 - 20138 Milano (MI) ITALIA Tel. 02/55403211 Telefax 02/55401023	

## User manual

EN

### 2.2 Avvertenze per la Manutenzione della centrale frigorifera



Le operazioni di manutenzione sono riservate esclusivamente a personale autorizzato.



L'accesso a parti elettriche e/o parti che richiedono l'utilizzo di utensili è riservato a tecnici specializzati.



Prima di qualsiasi operazione di manutenzione, togliere tensione al quadro elettrico.



Prestare attenzione alle parti calde o in movimento contrassegnate con l'apposito simbolo.



È obbligatorio l'uso di guanti da lavoro.

IT

FR

DE

### 2.3 Avvertenze elettriche



Accertarsi che la tensione di alimentazione corrisponda ai dati di targa della centrale frigorifera.



L'installazione elettrica deve essere eseguita a regola d'arte da tecnici specializzati.



La rimozione della copertura del quadro elettrico è riservata a tecnici specializzati.




L'installazione della centrale frigorifera deve essere effettuata secondo le istruzioni del costruttore, da personale professionalmente qualificato e conformemente alle norme sugli impianti elettrici vigenti nei singoli Paesi.





Un'errata installazione della centrale frigorifera può causare danni a persone, animali o cose, nei confronti dei quali il costruttore non può essere considerato responsabile.


Model - Modello - Modèle Modell	<b>ECO2SMALL PLUS</b>	
Manufacturer - Fabbricante - Constructeur Hersteller	<b>Epta Spa</b> - Via Mecenate, 86 - 20138 Milano (MI) ITALIA Tel. 02/55403211 Telefax 02/55401023	


## 2.4 Divieti


 È fatto divieto di utilizzare la centrale frigorifera per uno scopo diverso dall'installazione in circuiti frigoriferi a compressione funzionanti con fluidi refrigeranti (ad esempio, come pompa d'acqua o d'aria oppure come dispositivo per lo smaltimento di fluidi refrigeranti o altri)


 È fatto divieto di installare la centrale frigorifera in impianti diversi da quelli con circuiti frigoriferi a compressione funzionanti con fluidi refrigeranti


 È fatto divieto di utilizzare per l'esercizio della centrale frigorifera, fluidi refrigeranti, termovettori o lubrificanti non ammessi


 È fatto divieto, da parte di personale non specializzato, di rimuovere la copertura del quadro elettrico o aprire pannellature che richiedano l'utilizzo di utensili.


 È fatto divieto di collocare la centrale frigorifera in ambienti chiusi e locali tecnici in cui sono presenti sostanze gassose esplosive.

 È fatto divieto di rimuovere la targa matricolare della centrale frigorifera.

 È fatto divieto di salire sulla centrale frigorifera.

 È fatto divieto di sostituzione di componenti e/o modifica della centrale frigorifera al di fuori delle specifiche previste dal costruttore, sostituzione di ricambi originali con altri non omologati dal costruttore, pena la decadenza delle condizioni di garanzia.

 È fatto divieto di modificare il quadro elettrico senza approvazione del costruttore.

 È fatto divieto di accesso al locale tecnico dove è installata la centrale frigorifera e zone limitrofe al personale non autorizzato.

EN

IT

FR

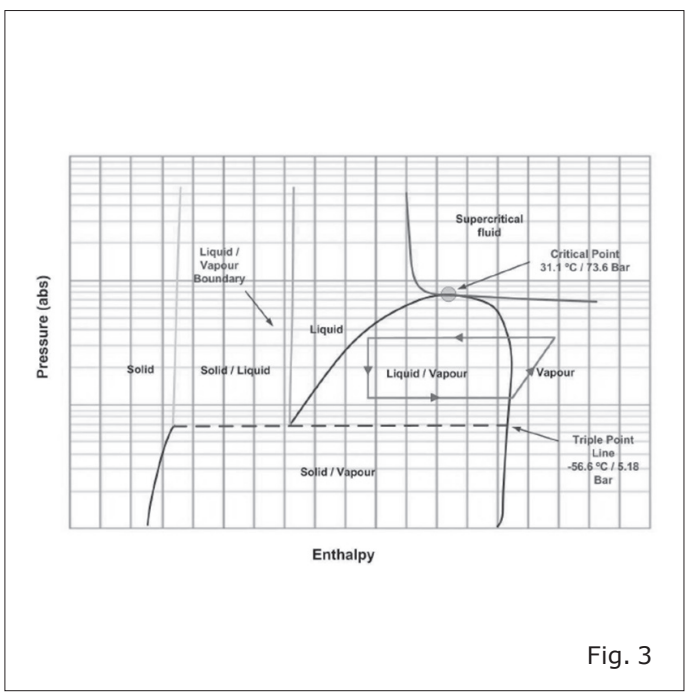
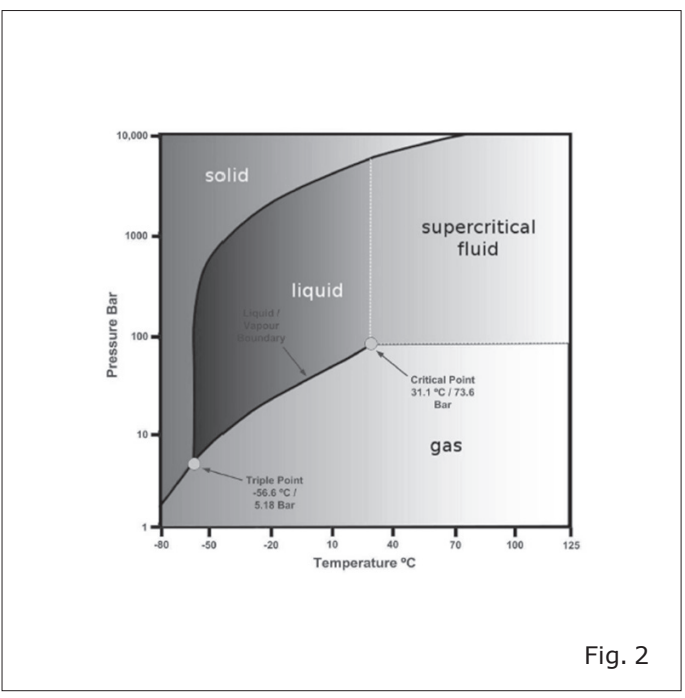
DE

Model - Modello - Modèle Modell	<b>ECO2SMALL PLUS</b>	
Manufacturer - Fabbricante - Constructeur Hersteller	<b>Epta Spa</b> - Via Mecenate, 86 - 20138 Milano (MI) ITALIA Tel. 02/55403211 Telefax 02/55401023	

User manual

- EN
- IT
- FR
- DE

### 3. DESCRIZIONE GENERALE



Refrigerante	PUNTO TRIPLO		PUNTO CRITICO	
	Temperatura	Pressione	Temperatura	Pressione
[-]	[°C]	[bar]	[°C]	[bar]
R744	-56.6	5.18	31.1	73.6



Model - Modello - Modèle  
Modell

## ECO2SMALL PLUS



Manufacturer - Fabbricante - Constructeur  
Hersteller

**Epta Spa** - Via Mecenate, 86 - 20138 Milano (MI) ITALIA  
Tel. 02/55403211 Telefax 02/55401023

User manual

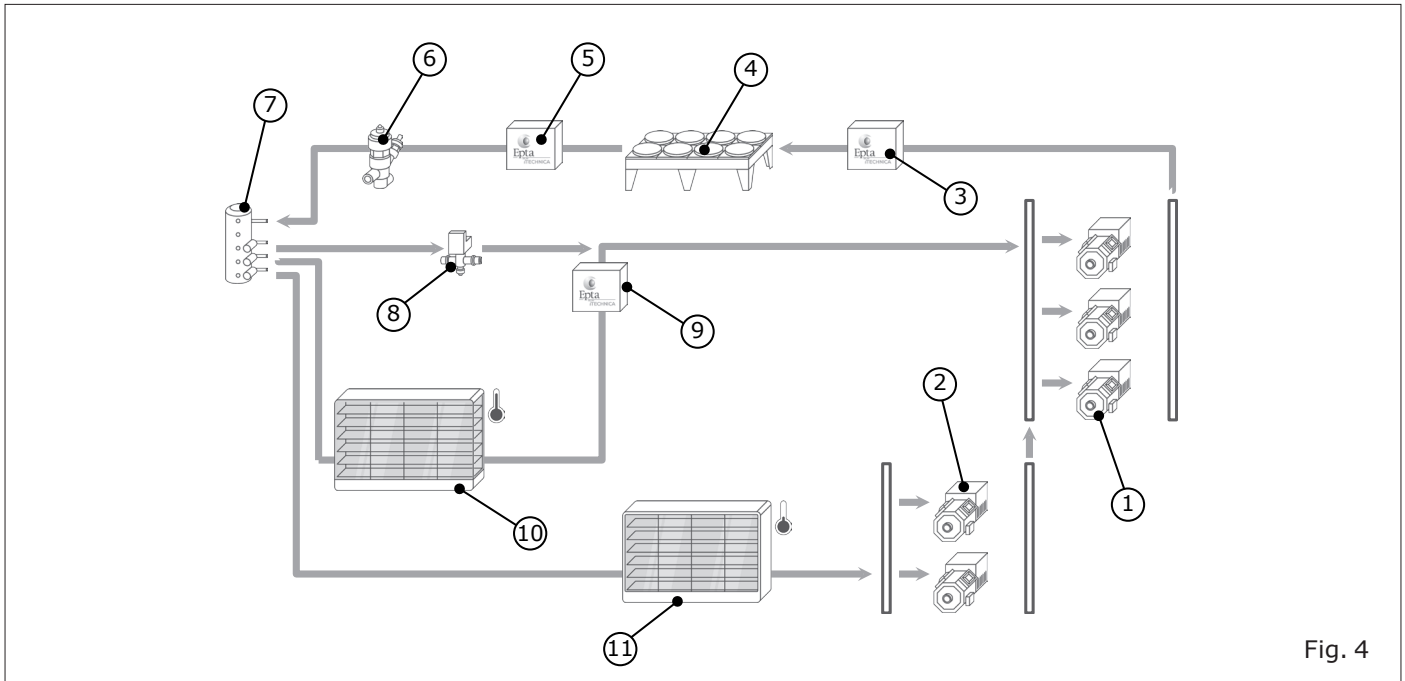


Fig. 4

1. Compressori MEDIA TEMPERATURA
2. Compressori BASSA TEMPERATURA
3. Modulo recupero di calore
4. Gas cooler
5. Modulo ETE
6. Valvola transcritica (HPV)
7. Ricevitore di liquido
8. Valvola by-pass flash gas
9. Modulo FTE
10. Utenza MEDIA TEMPERATURA
11. Utenza BASSA TEMPERATURA

Model - Modello - Modèle Modell	<b>ECO2SMALL PLUS</b>	
Manufacturer - Fabbricante - Constructeur Hersteller	<b>Epta Spa</b> - Via Mecenate, 86 - 20138 Milano (MI) ITALIA Tel. 02/55403211 Telefax 02/55401023	

User manual

- EN
- IT
- FR
- DE

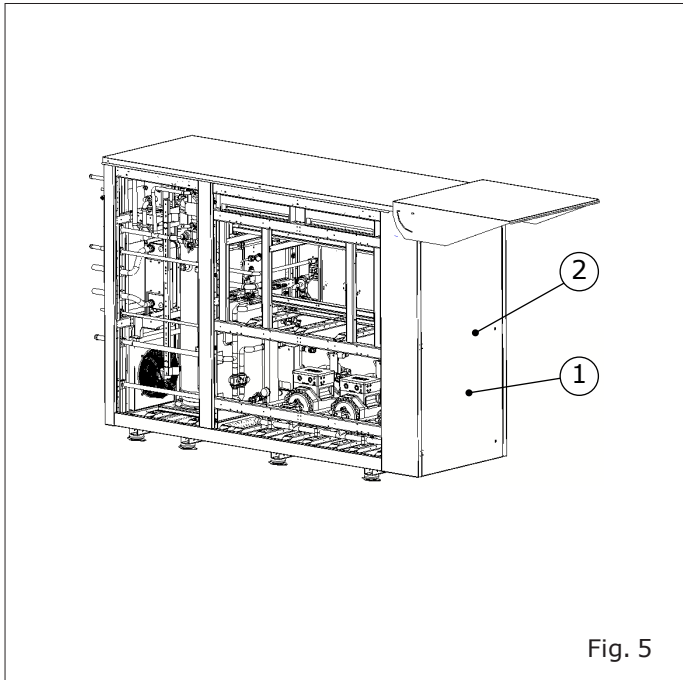


Fig. 5

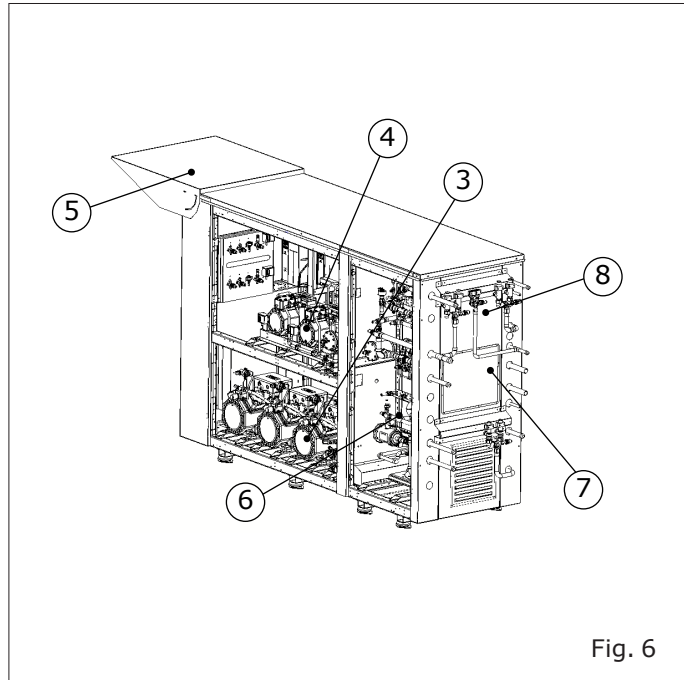
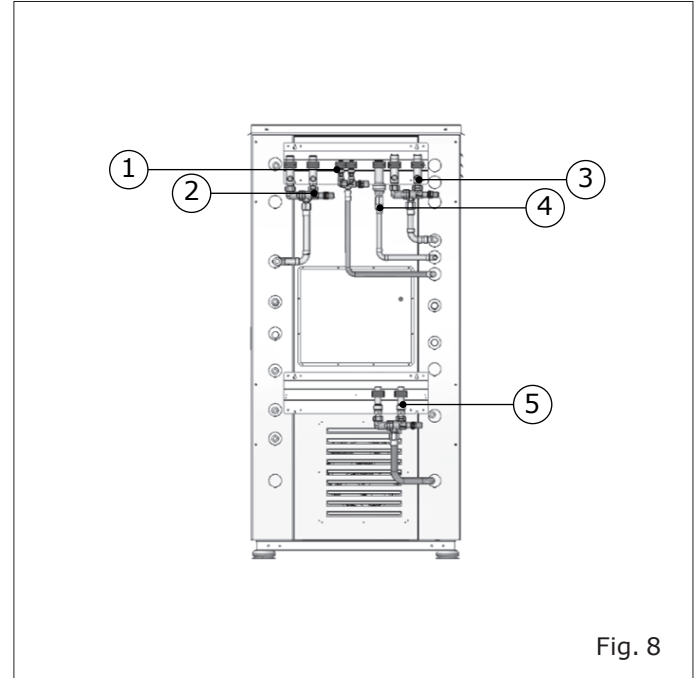
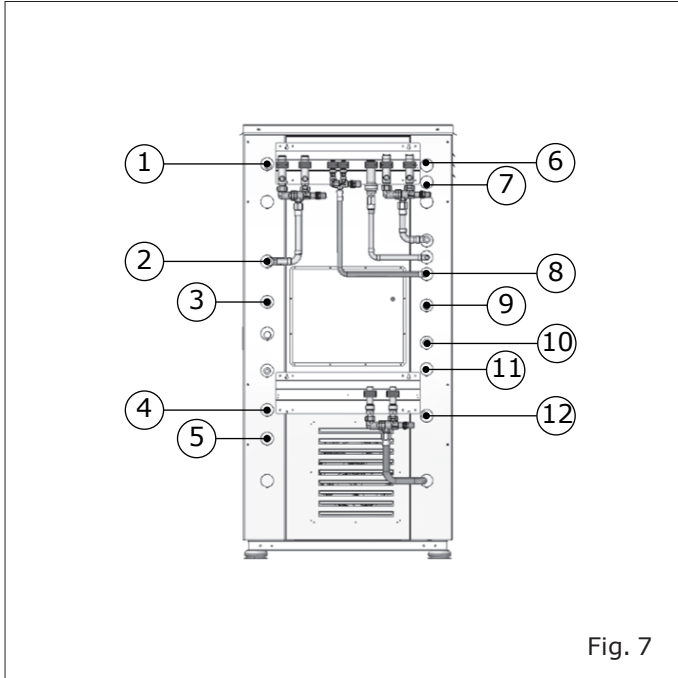


Fig. 6

1. Targa dati
2. Alloggiamento quadro elettrico
3. Compressori MEDIA TEMPERATURA
4. Compressori BASSA TEMPERATURA
5. Tetto antipioggia (opzionale)
6. Ricevitore di liquido
7. Collegamenti di liquida, aspirazione, ritorno gas cooler, acqua per recupero di calore, FTE
8. Valvole di sicurezza



1. Ingresso ritorno da gas cooler (1" 1/8 K65)
2. Ingresso aspirazione da utenza MEDIA TEMPERATURA (1" 3/8 K65 / 1" 1/8 K65)
3. Flash gas verso FTE (1" 1/8 K65)
4. Uscita al gas cooler con recupero di calore (1" 1/8 K65)
5. Uscita linea liquida (1" 1/8 K65 / 7/8" K65)
6. Uscita linea aspirazione sottoraffreddatore R134a (22mm Cu)
7. Ingresso linea liquida sottoraffreddatore R134a (16mm Cu)
8. Ingresso linea aspirazione da utenza BASSA TEMPERATURA (22x1,5mm Cu / 7/8" K65)
9. Uscita H<sub>2</sub>O 0|(35mm Cu)
10. Ingresso H<sub>2</sub>O (35mm Cu)
11. Verso by-pass del desurriscaldatore ad aria nella linea di scarico dei compressori utenza BASSA TEMPERATURA (5/8" K65)
12. Uscita al gas cooler senza recupero di calore (1" 1/8 K65)

1. Aspirazione utenza MEDIA TEMPERATURA, doppia con rubinetto di scambio
2. Aspirazione utenza BASSA TEMPERATURA, doppia con rubinetto di scambio
3. Ricevitore di liquido, doppia con rubinetto di scambio
4. Aspirazione modulo ETE 100bar (opzionale)
5. Alta pressione 120bar, doppia con rubinetto di scambio

Model - Modello - Modèle Modell	<b>ECO2SMALL PLUS</b>	
Manufacturer - Fabbricante - Constructeur Hersteller	<b>Epta Spa</b> - Via Mecenate, 86 - 20138 Milano (MI) ITALIA Tel. 02/55403211 Telefax 02/55401023	

## User manual

### 3.1 Sezioni

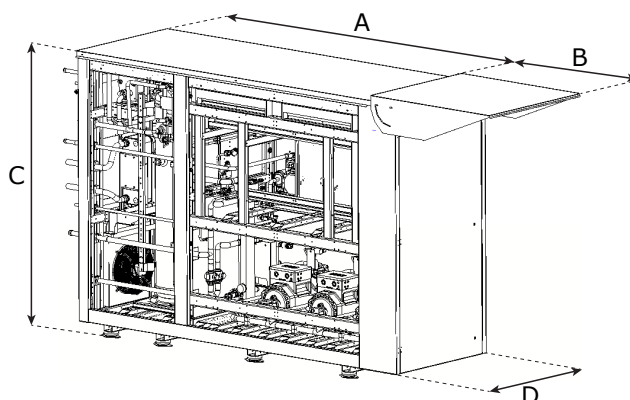


Fig. 9

**Tab. I**

Versione	Lunghezza A (mm)	Lunghezza B tetto antipioggia (mm)	Altezza C (mm)	Profondità D (mm)
3 MT	3030	910	2080	1000
2 MT + 1 ETE	3030	910	2080	1000
3 MT + 2 LT	3030	910	2080	1000
2 MT + 2 LT + 1 ETE	3030	910	2080	1000

1. MT = compressore utenza *MEDIA TEMPERATURA*

2. LT = compressore utenza *BASSA TEMPERATURA*

3. ETE = compressore dedicato alla configurazione ETE ("*Extreme Temperature Efficiency*")

Model - Modello - Modèle Modell	<b>ECO2SMALL PLUS</b>	
Manufacturer - Fabbricante - Constructeur Hersteller	<b>Epta Spa</b> - Via Mecenate, 86 - 20138 Milano (MI) ITALIA Tel. 02/55403211 Telefax 02/55401023	

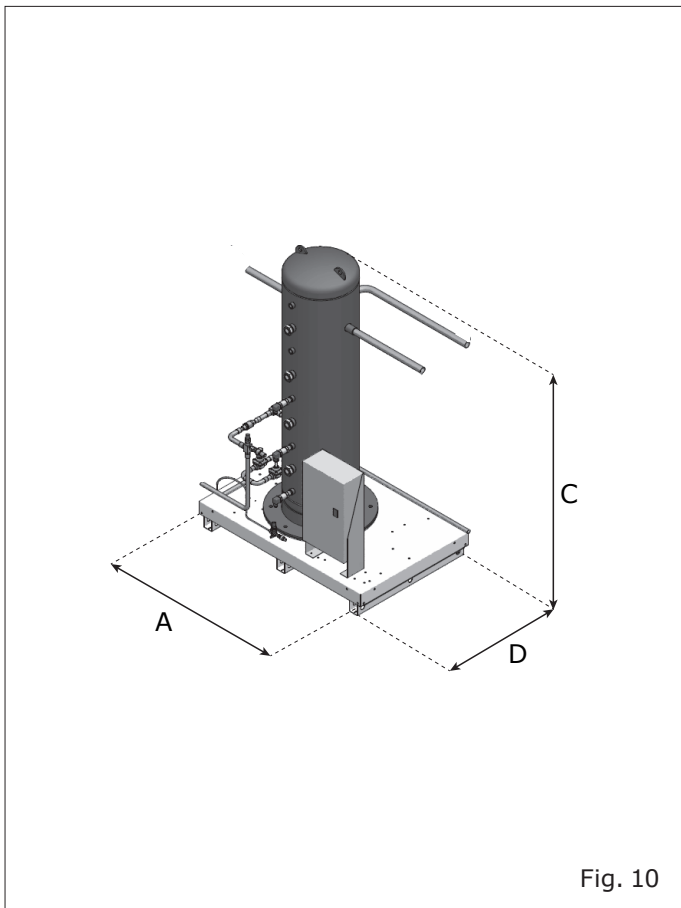


Fig. 10

Modulo FTE REMOTO senza cofanatura

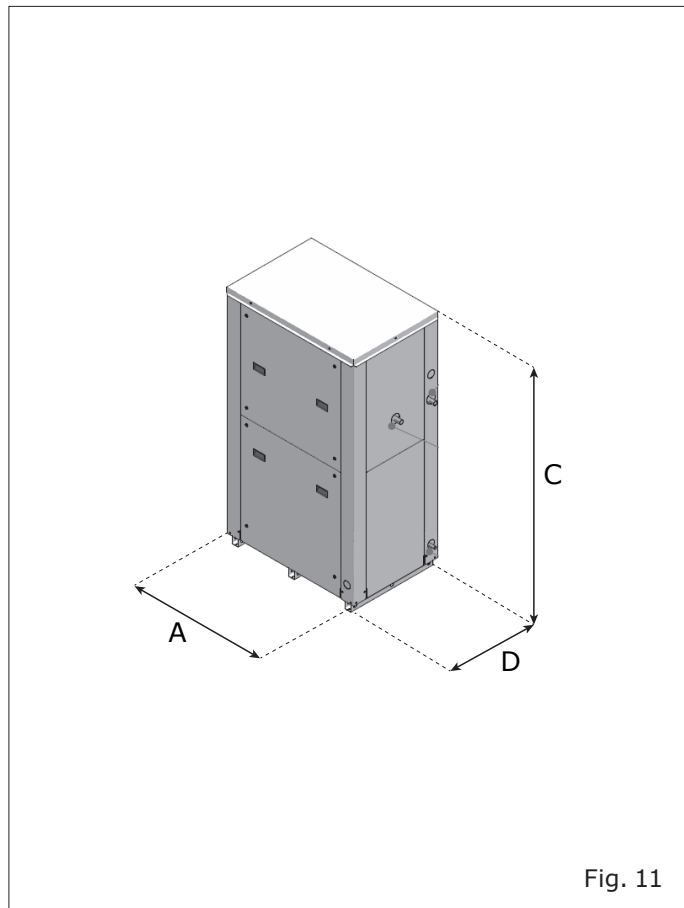


Fig. 11

Modulo FTE REMOTO con cofanatura

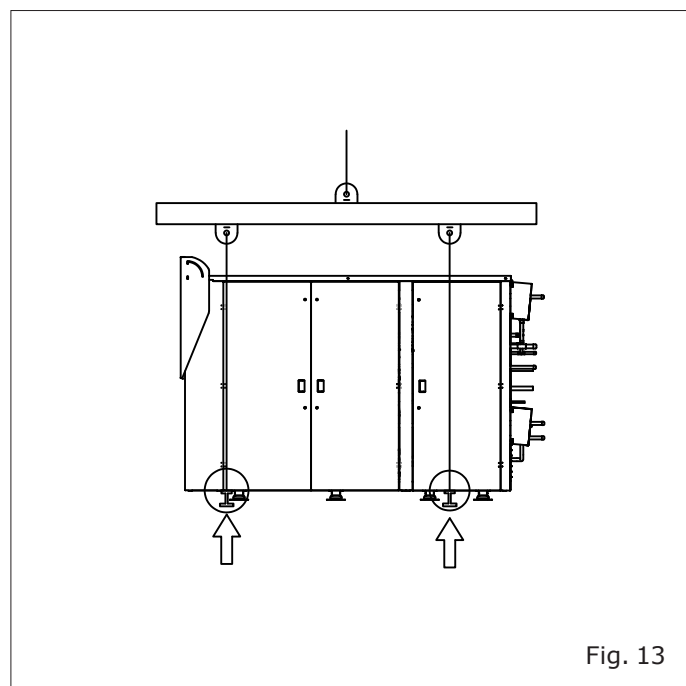
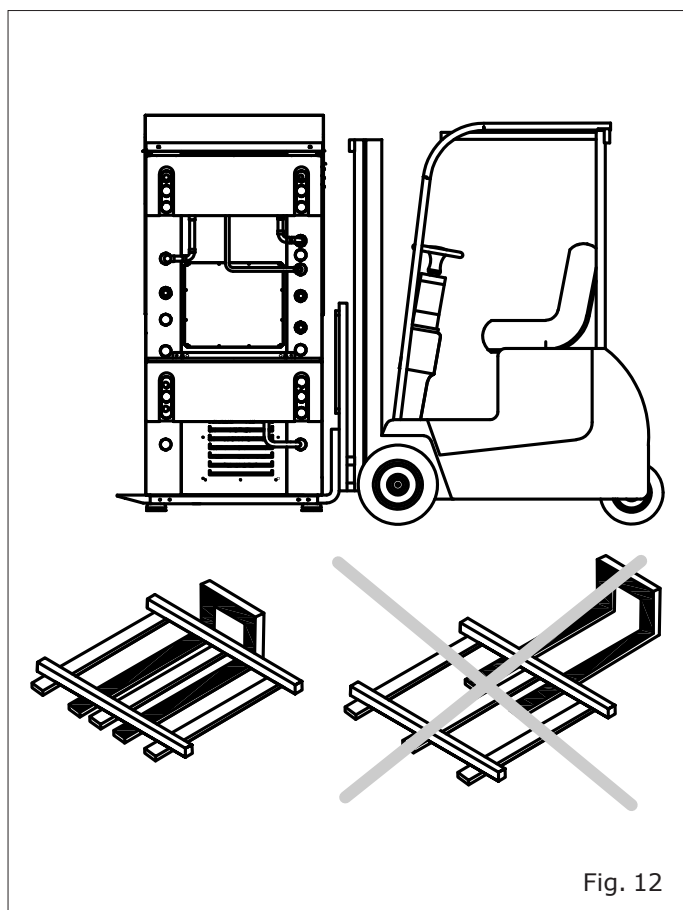
**Tab. II**

Accessorio REMOTO	Lunghezza A (mm)	Altezza C (mm)	Profondità D (mm)
Modulo FTE senza cofanatura	1200	1770	800
Modulo FTE con cofanatura	1200	2110	800

Model - Modello - Modèle Modell	<b>ECO2SMALL PLUS</b>	
Manufacturer - Fabbricante - Constructeur Hersteller	<b>Epta Spa</b> - Via Mecenate, 86 - 20138 Milano (MI) ITALIA Tel. 02/55403211 Telefax 02/55401023	

User manual

## 4. TRASPORTO DELLA CENTRALE FRIGORIFERA

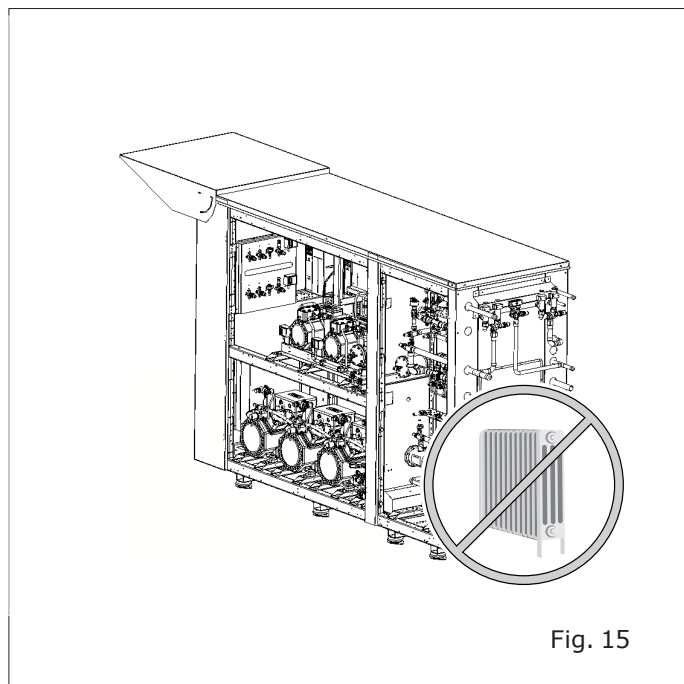
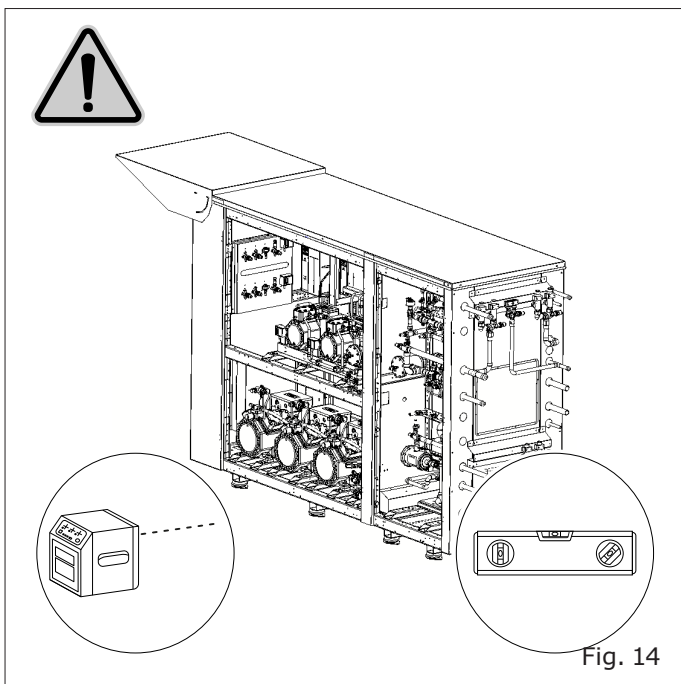


**Tab. III**

Versione	Peso netto massimo senza cofanatura (kg)	Peso netto massimo con cofanatura non insonorizzata (kg)	Peso netto massimo con cofanatura insonorizzata (kg)
3 MT	2040	2300	2420
2 MT + 1 ETE	1990	2260	2370
3 MT + 2 LT	2190	2460	2570
2 MT + 2 LT + 1 ETE	2190	2460	2570

Model - Modello - Modèle Modell	<b>ECO2SMALL PLUS</b>	
Manufacturer - Fabbricante - Constructeur Hersteller	<b>Epta Spa</b> - Via Mecenate, 86 - 20138 Milano (MI) ITALIA Tel. 02/55403211 Telefax 02/55401023	

## 5. CONDIZIONI AMBIENTALI



**Tab. IV**

Caratteristiche	
Tipo di ambiente	Esterno / Interno
Temperatura	<45°C
Cofanatura insonorizzata	Obbligatoria in caso di ambiente esterno

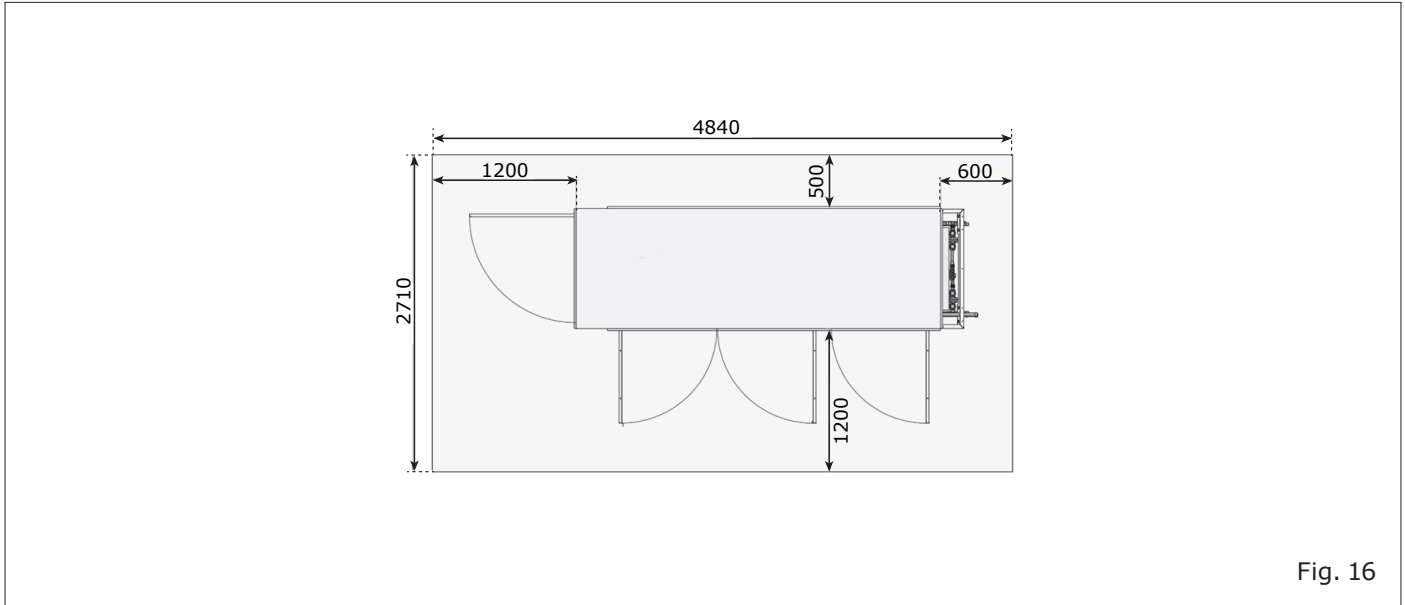
**Tab. V**

Versione	Lp max senza cofanatura @10m (dB(A))	Lp max con cofanatura insonorizzata @10m (dB(A))
3 MT	58	53
2 MT + 1 ETE	57	51
3 MT + 2 LT	59	53
2 MT + 2 LT + 1 ETE	57	52

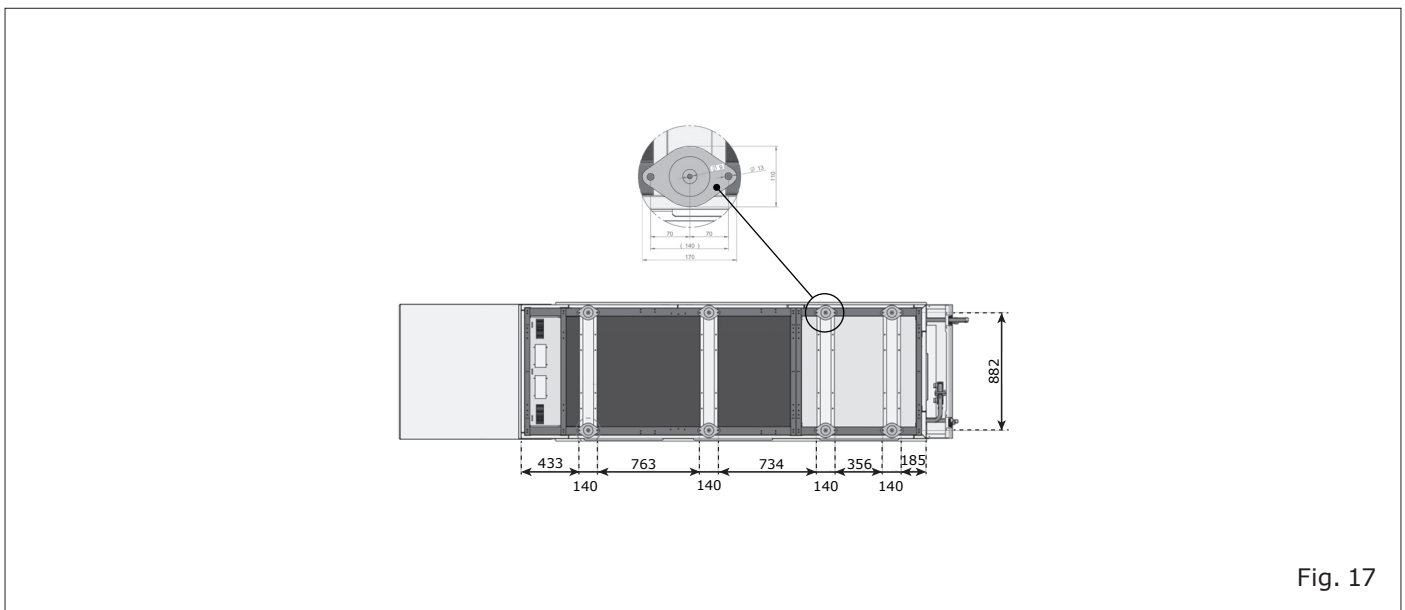
Model - Modello - Modèle Modell	<b>ECO2SMALL PLUS</b>	
Manufacturer - Fabbricante - Constructeur Hersteller	<b>Epta Spa</b> - Via Mecenate, 86 - 20138 Milano (MI) ITALIA Tel. 02/55403211 Telefax 02/55401023	

User manual

- EN
- IT
- FR
- DE



Spazio funzionale di rispetto per la manutenzione





Model - Modello - Modèle  
Modell

## ECO2SMALL PLUS



Manufacturer - Fabbricante - Constructeur  
Hersteller

**Epta Spa** - Via Mecenate, 86 - 20138 Milano (MI) ITALIA  
Tel. 02/55403211 Telefax 02/55401023

User manual

## 6. COLLEGAMENTO ELETTRICO

EN

IT

FR

DE

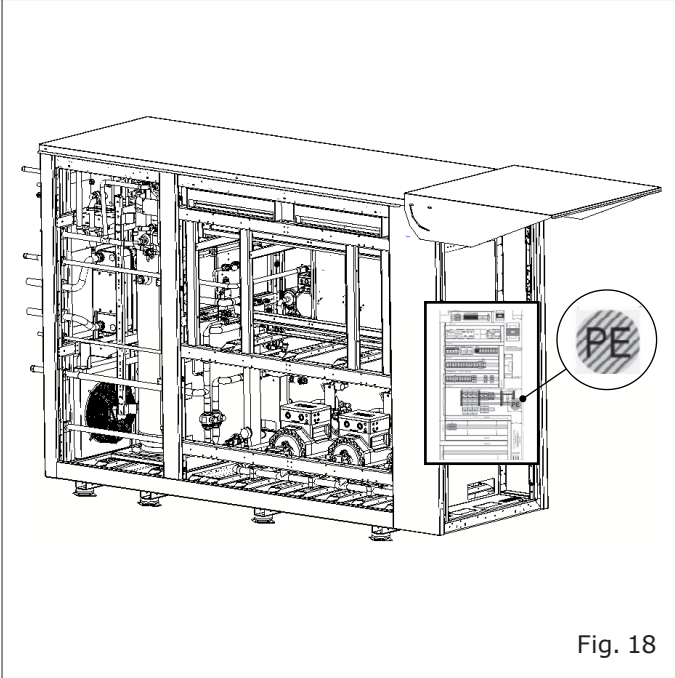



Fig. 18

Model - Modello - Modèle Modell	<b>ECO2SMALL PLUS</b>	
Manufacturer - Fabbricante - Constructeur Hersteller	<b>Epta Spa</b> - Via Mecenate, 86 - 20138 Milano (MI) ITALIA Tel. 02/55403211 Telefax 02/55401023	


User manual

## 7. CARATTERISTICHE TECNICHE



①

②



1370


MODELLO / MODEL <span style="float: right;">③</span>	MATRICOLA / SERIAL N. <span style="float: right;">④</span>
DATA / DATE <span style="float: right;">⑤</span>	CODICE / CODE <span style="float: right;">⑥</span>
CODICE QUADRO ELETTRICO / ELECTRICAL PANEL CODE <span style="float: right;">⑦</span>	
TENSIONE / VOLTAGE <span style="float: right;">⑧</span> V ___ Ph ___ Hz	
CORRENTE NOMINALE SENZA UTENZE / NOMINAL CURRENT WITH NO USERS <span style="float: right;">⑨</span> A	
FUSIBILI GENERALI / FUSES  <span style="float: right;">⑩</span> A	
MANDATA / DISCHARGE <span style="float: right;">⑪</span> PS ___ bar	⑫ TS ___ bar
LIQUIDA / LIQUID <span style="float: right;">⑬</span> PS ___ bar	⑭ TS ___ bar
ASPIRAZIONE MT / SUCTION LINE MT <span style="float: right;">⑮</span> PS ___ bar	⑯ TS ___ bar
ASPIRAZIONE BT / SUCTION LINE LT <span style="float: right;">⑰</span> PS ___ bar	⑰ TS ___ bar
ASPIRAZIONE MT <sub>2</sub> / SUCTION LINE MT <sub>2</sub> <span style="float: right;">⑰</span> PS ___ bar	⑳ TS ___ bar
REFRIGERANTE / REFRIGERANT <span style="float: right;">㉑</span>	CARICA / CHARGE <span style="float: right;">㉒</span> kg

Fig. 19

- |  |   |
|--|---|
| <ol style="list-style-type: none"> <li>1. Origine del prodotto</li> <li>2. Codice a barre</li> <li>3. Modello</li> <li>4. Numero di serie</li> <li>5. Data di produzione</li> <li>6. Hat Code</li> <li>7. Codice del quadro elettrico</li> <li>8. Tensione nominale</li> <li>9. Corrente nominale senza utenze</li> <li>10. Corrente nominale fusibili generali</li> <li>11. Pressione massima ammissibile linea di mandata</li> <li>12. Temperatura massima ammissibile linea di mandata</li> <li>13. Pressione massima ammissibile linea liquida</li> <li>14. Temperatura massima ammissibile linea liquida</li> </ol> | <ol style="list-style-type: none"> <li>15. Pressione massima ammissibile linea aspirazione utenze MEDIA TEMPERATURA</li> <li>16. Temperatura massima ammissibile linea aspirazione utenze MEDIA TEMPERATURA</li> <li>17. Pressione massima ammissibile linea aspirazione utenze BASSA TEMPERATURA</li> <li>18. Temperatura massima ammissibile linea aspirazione utenze BASSA TEMPERATURA</li> <li>19. Pressione massima ammissibile seconda linea aspirazione (ETE, AC, ...)</li> <li>20. Temperatura massima ammissibile seconda linea aspirazione (ETE, AC, ...)</li> <li>21. Tipo di refrigerante</li> <li>22. Massa refrigerante (per centrale frigorifera precaricata)</li> </ol> |
|--|---|

Model - Modello - Modèle Modell	<b>ECO2SMALL PLUS</b>	
Manufacturer - Fabbricante - Constructeur Hersteller	<b>Epta Spa</b> - Via Mecenate, 86 - 20138 Milano (MI) ITALIA Tel. 02/55403211 Telefax 02/55401023	

## 8. INDICAZIONI UTENTE

### 8.1 Il fluido refrigerante R744 nel ciclo in regime transcritico

Il ciclo di base della refrigerazione a R744 è composto da quattro trasformazioni: compressione, condensazione, laminazione o espansione (principio inverso della compressione, questa trasformazione avviene nella valvola elettronica o termostatica prima dell'evaporatore) ed evaporazione.

Il ciclo transcritico prende questa denominazione perché la trasformazione di condensazione avviene al di sopra del punto critico. Quando questo succede non si parlerà più di condensazione bensì di gas-cooling (raffreddamento di gas).

Lavorando al di sopra del punto critico pressione e temperatura non sono più univocamente determinate tra loro, questo significa che ad una determinata temperatura corrispondono più pressioni. In questo caso quindi si misura la temperatura all'uscita del gas-cooler tramite la quale è possibile trovare la pressione che ottimizza il rendimento dell'impianto (operazione eseguita costantemente dal controllore).

Le utenze sia di MEDIA che di BASSA TEMPERATURA sono servite dal medesimo ricevitore di liquido; i compressori dell'utenza a BASSA TEMPERATURA scaricano in aspirazione a quelli dell'utenza a MEDIA TEMPERATURA, con la conseguente presenza di un unico gas cooler.

### 8.2 Descrizione della centrale frigorifera

Questa linea di centrali frigorifere è adatta come gruppo frigorifero a servizio della frigoconservazione commerciale. Essa impiega il fluido refrigerante R744 ed opera in regime transcritico e subcritico.

**STRUTTURA** basamento e telaio portante realizzati con profili in lasertube e lamiera zincata piegata (uniti mediante rivetti strutturali ad altissima resistenza oppure viti e bulloni), successivamente verniciati con polveri epossipoliestere in colorazione RAL7016 e RAL7035 e montato su supporti antivibranti

**SUPPORTI ANTIVIBRANTI** con nucleo centrale in gomma, fissati in fabbrica su appositi alloggiamenti creati sui longheroni della macchina

**TUBAZIONI** tubazioni in Cu R220 con pressione massima ammissibile di 30bar, in CuFe K65 con pressione massima ammissibile di 120bar, in AISI 304L con pressione massima ammissibile di 130bar ("Fig. 7")

**ISOLAMENTO** coibentazione con materiale isolante flessibile in elastomero estruso ed espanso (FEF) per tutti i componenti della linea di aspirazione e liquida (19mm) e ricevitore di liquido (32mm)

**COMPRESSORI** di tipo semiermetico a pistoni, equipaggiati con resistenza elettrica sul carter

**REGOLATORE DI VELOCITA'** per una regolazione continua della velocità e quindi della portata di fluido frigorifero dei compressori

Model - Modello - Modèle Modell	<b>ECO2SMALL PLUS</b>	
Manufacturer - Fabbricante - Constructeur Hersteller	<b>Epta Spa</b> - Via Mecenate, 86 - 20138 Milano (MI) ITALIA Tel. 02/55403211 Telefax 02/55401023	

## User manual

EN  
IT  
FR  
DE

**PRESSOSTATI DI SICUREZZA** per ciascun compressore delle utenze **MEDIA** e **BASSA TEMPERATURA** e per il compressore del modulo ETE, secondo le norme vigenti nei singoli Paesi

**VALVOLA INIEZIONE HOT GAS E LIQUIDO** per la linea di aspirazione delle utenze **MEDIA TEMPERATURA** e **BASSA TEMPERATURA**

**VALVOLA TRANSCRITICA (HPV)** con filtro esterno

**VALVOLA BY-PASS FLASH GAS**

**RICEVITORE DI LIQUIDO** da 110L con massima pressione ammissibile di 60bar, **INTEGRATO** nella centrale frigorifera

**SISTEMA DELL'OLIO IN ALTA PRESSIONE** comprensivo di separatore dell'olio, riserva, valvola di sicurezza e regolatori di iniezione olio per ciascun compressore

**VALVOLE DI SICUREZZA** su ciascuna linea, **INTEGRATE** nella centrale frigorifera ("Fig. 8")

**FILTRI** sulla linea di aspirazione alle utenze **MEDIA** e **BASSA TEMPERATURA** e sulla linea liquida

**QUADRO ELETTRICO (INTEGRATO** nella centrale frigorifera)

**PREDISPOSIZIONE SWITCHON PACK** (collegamento elettrico **INTEGRATO** nella centrale frigorifera, equipaggiata con controllori di fornitura Carel e Danfoss)

**PREDISPOSIZIONE SISTEMA SMART (ICE)**

**BACKUP VENTOLE GAS COOLER** circuito elettrico manuale per funzionamento ventole gas cooler alla massima velocità

**CAMPO DI APPLICAZIONE:** attività commerciali medio-piccole (discount e supermercati) con superfici di vendita da 800m<sup>2</sup> a 1.700m<sup>2</sup>

**CAMPO DI UTILIZZAZIONE:**

- Utenza **BASSA TEMPERATURA** da 5,5kW a 23kW

con riferimento alle seguenti condizioni:  
 $T_{\text{evaporazione}} = -32^{\circ}\text{C}$ ,  $T_{\text{condensazione}} = -8^{\circ}\text{C}$

- Utenza **MEDIA TEMPERATURA** da 35kW a 106kW

con riferimento alle seguenti condizioni:  
 $T_{\text{evaporazione}} = -8^{\circ}\text{C}$ ,  $T_{\text{gascooler}} = +40^{\circ}\text{C}$

**PRESSIONI MASSIME AMMISSIBILI**

- Mandata 120bar

- Aspirazione utenza **MEDIA TEMPERATURA** 45bar / 53bar / 60bar

- Aspirazione utenza **BASSA TEMPERATURA** 30bar / 60bar

- Linea liquida 45bar / 60bar

- Ricevitore di liquido 60bar

- Aspirazione modulo ETE 100bar (opzionale)

Le caratteristiche generali e le dimensioni sono illustrate nelle figure e nelle sezioni contenute in "Descrizione generale" (da pag. "8" a pag. "13").

Model - Modello - Modèle Modell	<b>ECO2SMALL PLUS</b>	
Manufacturer - Fabbricante - Constructeur Hersteller	<b>Epta Spa</b> - Via Mecenate, 86 - 20138 Milano (MI) ITALIA Tel. 02/55403211 Telefax 02/55401023	

### 8.3 Trasporto e movimentazione

La centrale frigorifera è contenuta in uno specifico imballo provvisto di scivoli di movimentazione oppure di pallet, in base alle esigenze di movimentazione, e caricata in pressione con azoto.



Prima di iniziare le operazioni di sollevamento, controllare che la centrale frigorifera sia in equilibrio stabile e scaricare dalla pressione

Per il trasporto e la movimentazione della centrale frigorifera utilizzare:

- Un carrello elevatore adatto al sollevamento della centrale frigorifera, con caratteristiche idonee nel rispetto delle Norme vigenti ("Fig. 12")



Prima di iniziare le operazioni di sollevamento, controllare che gli scivoli siano saldamente fissati al basamento della centrale frigorifera.

- Una gru adatta al sollevamento della centrale frigorifera, con caratteristiche idonee nel rispetto delle Norme vigenti ("Fig. 13")



Posizionare le barre di sollevamento nei punti contrassegnati sul telaio, utilizzando distanziali che preservino la centrale frigorifera da danni alla struttura.



Prima di spostare la centrale frigorifera, sollevarla quanto basta per rimuovere gli scivoli e successivamente completare il sollevamento.



Utilizzare un bilancino di sollevamento per evitare di danneggiare il quadro elettrico, il telaio e la cofanatura (se presente).

I pesi della centrale frigorifera (senza e con imballo) e le dimensioni dell'imballo sono riportati nelle tabelle "Tab. I" e "Tab. III".

Le operazioni di movimentazione devono essere svolte da personale qualificato, in grado di valutare pesi, punti di sollevamento e mezzi più idonei sia per sicurezza che per portata.



Non effettuare bruschi spostamenti o urti che potrebbero compromettere l'integrità e la funzionalità dei componenti della centrale frigorifera.

### 8.4 Ricezione ed immagazzinamento

Controllare le condizioni dell'imballo prima di prendere in consegna la centrale frigorifera dal trasportatore.

Se ci sono danni evidenti nell'imballo:

- Rimuovere l'imballo della centrale frigorifera in presenza del trasportatore
- Firmare con riserva il documento di consegna

Il costruttore non risponde di eventuali danni dovuti al trasporto o ad un errato stoccaggio della centrale frigorifera.



Nel caso di centrale non equipaggiata con cofanatura, la centrale frigorifera deve essere conservata in un luogo riparato da sole ed intemperie.



La centrale frigorifera è consegnata in pressione con azoto. Scaricare la pressione prima di iniziare le fasi di movimentazione e installazione.

Model - Modello - Modèle Modell	<b>ECO2SMALL PLUS</b>	
Manufacturer - Fabbricante - Constructeur Hersteller	<b>Epta Spa</b> - Via Mecenate, 86 - 20138 Milano (MI) ITALIA Tel. 02/55403211 Telefax 02/55401023	

## User manual

### 8.5 Installazione e condizioni ambientali



La centrale frigorifera è consegnata in pressione con azoto. Scaricare la pressione prima di iniziare le fasi di movimentazione e installazione.

Per un corretto funzionamento della centrale frigorifera, verificare che sia posizionata:

- Su un pavimento livellato ("Fig. 14").
- Lontano da fonti di calore e da rischi di incendio ("Fig. 15").



Scegliere il luogo di installazione della centrale frigorifera in modo da evitare in qualsiasi momento la condensazione dell'umidità presente nell'aria.



Rispettare gli spazi funzionali necessari per un corretto funzionamento e un'adeguata manutenzione ("Fig. 16").

Dopo averla posizionata definitivamente, è necessario fissare rigidamente la centrale frigorifera alla base sfruttando i fori di fissaggio sugli zoccoli antivibranti ("Fig. 17").

Le condizioni dell'ambiente in cui porre la centrale frigorifera sono riportate in "Condizioni ambientali" (tabella "Tab. IV").



Si raccomanda l'esecuzione a regola d'arte delle tubazioni di collegamento fra la centrale frigorifera e gli altri componenti dell'impianto.



Si consiglia di prestare particolare attenzione a garantire il ritorno dell'olio verso i compressori (ad esempio, installazione di sifoni e velocità minima nelle tubazioni).



Si consiglia di prestare particolare attenzione a limitare le perdite di carico lungo le linee di aspirazione (buona norma è non superare 1,5kPa).

Model - Modello - Modèle Modell	<b>ECO2SMALL PLUS</b>	
Manufacturer - Fabbricante - Constructeur Hersteller	<b>Epta Spa</b> - Via Mecenate, 86 - 20138 Milano (MI) ITALIA Tel. 02/55403211 Telefax 02/55401023	

## INSTALLAZIONE IN VANO TECNICO

Per installazione in locale tecnico o sala macchina, apposite aperture sulle mura perimetrali o dispositivi aeraulici devono garantire una portata d'aria, in conformità alle norme vigenti, per evitare concentrazioni pericolose di refrigerante.

In particolare:

- il libero passaggio dell'aria da finestre, griglie ed entrate d'aria o condotte non deve essere impedito da muri o barriere
- il foro per la ventilazione non deve sfogare verso aperture di altri locali
- deve prestare attenzione alla densità del fluido refrigerante
- deve essere possibile azionare i ventilatori sia dall'esterno che dall'interno
- nel caso di sale macchine installate nel sottosuolo, l'interruttore di comando dall'esterno della sala macchina speciale deve essere posizionato al piano terreno



Prevedere in caso di installazione in vano tecnico, un rilevatore della concentrazione di R744 in atmosfera per fornire segnale di allarme o l'azionamento di opportuni sistemi per il ricambio d'aria.



L'allarme del rilevatore della concentrazione di R744 deve essere posizionato all'esterno del vano tecnico per impedire l'ingresso di personale autorizzato all'interno del locale se l'allarme è ancora attivo.

## INSTALLAZIONE ALL'ESTERNO

Per installazione all'esterno, la collocazione finale della centrale frigorifera deve tenere in considerazione la necessità di:

- ridurre al minimo l'inquinamento acustico prodotto (posizionando la centrale frigorifera il più distante possibile dalle zone abitate ed evitando le possibili fonti di riflessione dell'onda sonora)
- posizionare la centrale frigorifera lontano da materiale infiammabile riducendo al minimo il rischio di incendio
- posizionare la centrale frigorifera lontano da fonti di calore riducendo al minimo la possibilità di scarico del fluido refrigerante in ambiente

EN

IT

FR

DE

Model - Modello - Modèle Modell	<b>ECO2SMALL PLUS</b>	
Manufacturer - Fabbricante - Constructeur Hersteller	<b>Epta Spa</b> - Via Mecenate, 86 - 20138 Milano (MI) ITALIA Tel. 02/55403211 Telefax 02/55401023	

## User manual

### 8.6 Collegamento elettrico

Il quadro elettrico della centrale frigorifera è progettato per alimentazioni a 380V-400V/3ph/50Hz.

Per la messa a terra della centrale frigorifera viene previsto un punto di connessione formato da una vite con dado e un contrassegno con simbolo a terra ("Fig. 18"), in quanto l'equipotenzialità della struttura metallica è garantita con un particolare sistema di assemblaggio.

Esso deve essere alimentato con cavo di sezione adeguata alla potenza del gruppo e in base alle condizioni di posa presenti nel luogo di installazione.



È necessario ed indispensabile collegare la centrale frigorifera all'impianto di terra dell'edificio.



L'installazione elettrica della centrale frigorifera deve essere effettuata in conformità alle norme vigenti nei singoli Paesi.

E' inoltre necessario verificare:

- il serraggio alla morsettiera di quei cavi elettrici che non hanno morsetti a molla (ad esempio, i cavi potenza motore collegati a teleruttore) perchè, durante il trasporto e la movimentazione, le vibrazioni potrebbero averne provocato l'allentamento
- il cablaggio del quadro elettrico, accertandosi che le guaine dei collegamenti non siano a contatto con i tubi del fluido refrigerante o contro il compressore e che non si possa in alcun modo verificare usura in seguito a sfregamento o per contatto con superfici ad alta temperatura o per formazione di condensa
- la presenza di potenza in tutte le fasi

La targa matricolare apposta sulla macchina riporta, fra gli altri dati, il valore della corrente nominale massima (A). Tale valore, che non tiene conto dell'assorbimento ventole di un eventuale gas cooler.

#### ENTRATA CAVI DI ALIMENTAZIONE AL QUADRO ELETTRICO

L'entrata cavi di alimentazione deve avvenire dal basso utilizzando la piastra posizionata sul fondo del quadro elettrico (la piastra è a destra e vi si accede aprendo il quadro elettrico). Per mantenere il grado di protezione del quadro elettrico si deve fare uso di appositi passacavi.



Durante la fase di foratura per il passaggio cavi, avere cura di effettuare l'operazione evitando di fare penetrare all'interno del quadro elettrico i trucioli metallici: PERICOLO CORTO CIRCUITO



Tutti i componenti della centrale frigorifera devono essere protetti dalla possibile penetrazione dell'acqua. Rispettare, nelle zone con presenza di acqua nelle immediate vicinanze, la classe di protezione IP dei componenti elettrici.

### 8.7 Caratteristiche tecniche

La targa matricolare riporta i dati tecnici caratteristici della centrale frigorifera. La sua posizione e la tipologia di dati sono riportati in "Caratteristiche tecniche" ("Fig. 19").



Model - Modello - Modèle Modell	<b>ECO2SMALL PLUS</b>	
Manufacturer - Fabbricante - Constructeur Hersteller	<b>Epta Spa</b> - Via Mecenate, 86 - 20138 Milano (MI) ITALIA Tel. 02/55403211 Telefax 02/55401023	

## 8.8 Accessori ed opzioni

### Cofanatura

pannellatura in lamiera zincata a caldo e successivamente verniciata con polveri epossipoliestere in colorazione RAL7035, fissata al telaio con rivetti o viti; pannello di copertura con piegatura a "forma di diamante" per evitare il ristagno di acqua

### Tetto antipioggia

copertura in lamiera fronte quadro elettrico

### Rivestimento insonorizzante per cofanatura

pannello composto da uno strato di fibra di poliestere (spessore 25mm e densità 45kg/m<sup>3</sup>) e gomma (spessore 4mm e massa superficiale 8kg/m<sup>2</sup>)

### Modulo FTE

ricevitore di liquido aggiuntivo  
Disponibile come modulo REMOTO (da installare e collegare in loco) oppure INTEGRATO nella centrale frigorifera

### Modulo ETE

modulo di sottoraffreddamento INTEGRATO nella centrale frigorifera  
Componenti del modulo: compressore dedicato con valvola di espansione elettronica, scambiatore di calore a piastre, regolatore di capacità e valvola motorizzata



Per evitare il rischio di intrappolamento di liquido nella tubazione, l'impostazione di fabbrica del grado di apertura minimo della valvola di espansione del modulo ETE non deve essere modificata.

### Quadro elettrico desurriscaldatore ad aria per utenze di BASSA TEMPERATURA

sistema di by-pass per l'inserimento del desurriscaldatore nella linea di scarico dei compressori per utenze di BASSA TEMPERATURA

Componenti del modulo: by-pass meccanico, quadro elettrico per la gestione del desurriscaldatore ad aria (REMOTO e fornito separatamente a cura del Cliente)

### Modulo recupero di calore

scambiatore a piastre per il recupero di calore sulla temperatura di scarico dei compressori per utenze di MEDIA TEMPERATURA, attraverso un circuito idraulico

Il modulo viene fornito INTEGRATO nella centrale frigorifera, con collegamenti idraulici e di sicurezza da effettuare in loco (a cura del Cliente, in conformità alle norme vigenti nei singoli Paesi)



Adottare tutte le misure necessarie per evitare il congelamento dell'acqua nello scambiatore a piastre.

### Economizzatore

scambiatore a piastre posizionato tra la linea di aspirazione dell'utenza di MEDIA TEMPERATURA e la linea di ritorno del gas cooler



L'economizzatore non è selezionabile in abbinamento al Modulo ETE.

### Pressostato sgancio utenze

pressostato meccanico per scollegare le utenze dal quadro elettrico in caso di alta pressione in aspirazione

### Unità backup R744

gruppo di raffreddamento ausiliario: si attiva in caso di fermo impianto per mantenere costante la pressione del ricevitore di liquido

I collegamenti elettrici del modulo sono da effettuare in loco (a cura del Cliente, in conformità alle norme vigenti nei singoli Paesi)

### Bypass separatore olio

sistema meccanico per escludere il separatore dell'olio

### Pulsante a fungo

collegato elettricamente secondo lo schema elettrico

Model - Modello - Modèle Modell	<b>ECO2SMALL PLUS</b>	
Manufacturer - Fabbricante - Constructeur Hersteller	<b>Epta Spa</b> - Via Mecenate, 86 - 20138 Milano (MI) ITALIA Tel. 02/55403211 Telefax 02/55401023	

## User manual

### 8.9 Manutenzione e verifiche periodiche

Un costante controllo sullo stato della macchina e una corretta manutenzione sono garanzia di affidabilità e buon funzionamento dell'intero impianto nel tempo.

Esiste, inoltre, una serie di verifiche che il personale autorizzato può, periodicamente, eseguire: si tratta di semplici controlli visivi sullo stato dei principali componenti della centrale.

#### Periodicità della manutenzione



Le operazioni di manutenzione sono riservate esclusivamente a personale autorizzato.

#### DOPO 15 GIORNI DALL'AVVIO effettuare:

- la rilevazione della pressione di mandata
- la rilevazione della pressione di aspirazione
- la misura della tensione di alimentazione
- la misura dell'intensità di corrente
- la sostituzione dei filtri deidratatori (filtri meccanici sulla linea in aspirazione, filtro solido sulla linea liquida)
- la rilevazione della differenza di pressione fra la mandata (manometro) e la pressione al gas cooler letta dal controllore ( $Dp_{max}=0,8bar$ )

#### DOPO 1 MESE DALL'AVVIO effettuare:

- la sostituzione del filtro del separatore dell'olio
- il monitoraggio della differenza di pressione tra ingresso (manometro) e uscita (presa di pressione) del separatore dell'olio



Per il valore di differenza di pressione da considerare tra ingresso (manometro) e uscita (presa di pressione) del separatore dell'olio, si faccia riferimento alla documentazione resa disponibile dal fornitore.

#### UNA VOLTA AL MESE effettuare:

- il serraggio dei contatti elettrici
- il serraggio dei raccordi
- la verifica del livello dell'olio dei compressori
- la verifica del separatore dell'olio
- la verifica della riserva dell'olio
- il controllo della spia liquido e umidità

#### OGNI SEI MESI effettuare:

- il controllo dei filtri di aspirazione

#### UNA VOLTA ALL'ANNO effettuare:

- il controllo di tutti i filtri e la sostituzione di quello sulla linea liquida
- la verifica del fissaggio delle viti e dei collegamenti elettrici



Ove necessario, interrompere l'alimentazione della centrale frigorifera prima di procedere all'intervento.



Prestare attenzione alle parti calde.

Model - Modello - Modèle Modell	<b>ECO2SMALL PLUS</b>	
Manufacturer - Fabbricante - Constructeur Hersteller	<b>Epta Spa</b> - Via Mecenate, 86 - 20138 Milano (MI) ITALIA Tel. 02/55403211 Telefax 02/55401023	

## Manutenzione dell'impianto

### SOSTITUZIONE DEI FILTRI

Un'eccessiva perdita di carico attraverso i filtri in aspirazione è indice di intasamento della cartuccia meccanica microfiltrante a causa di impurità residue nell'impianto.

Le cartucce vanno pertanto, sostituite.

Prima della sostituzione dei filtri, è necessario intercettare e scaricare la sezione interessata della centrale frigorifera, come segue:

- chiudere il rubinetto a monte (alimentazione del fluido refrigerante) del circuito da sezionare
- attendere 5-10 minuti per permettere al fluido refrigerante allo stato liquido presente nel circuito di evaporare per effetto dell'aspirazione dei compressori
- chiudere anche il rubinetto a valle dell'utilizzatore
- aprire lentamente il rubinetto di scarico prima di intervenire sul circuito



Qualora non dovesse essere aperto il rubinetto di scarico, la pressione che potrebbe crearsi per evaporazione di piccole parti di fluido refrigerante liquido (a causa dell'innalzamento della temperatura dall'ambiente) è scaricata dalle valvole di sicurezza collegate al circuito sezionato.



Prima di riaprire i rubinetti, nella procedura di carico del fluido refrigerante, è necessario eseguire il vuoto al circuito collegando la pompa al rubinetto di scarico.

### SOSTITUZIONE DELLA VALVOLA DI SICUREZZA

Viene consigliata la sostituzione della valvola di sicurezza nel caso in cui quest'ultima sia intervenuta; durante lo scarico l'accumulo sull'elemento di tenuta di residui di lavorazione dei componenti e delle tubazioni, può rendere difettosa la tenuta in retro-chiusura; pertanto potrà trafilare dalle stesse del fluido refrigerante durante il normale funzionamento della macchina.



Prima di procedere con la sostituzione della valvola di manovra, verificare che l'impianto non sia sotto pressione o ad elevata temperatura.

### RABBOCCO DELL'OLIO



Utilizzare esclusivamente olio POE BSE85K.

Per la corretta gestione del sistema dell'olio, si faccia riferimento al seguente documento:

- SE-TS050\_120bar oil system management



Durante eventuali rabbocchi dell'olio, a causa della sua forte igroscopicità, è necessario limitare il tempo di apertura del circuito e dei contenitori dell'olio stesso allo stretto necessario per effettuare l'intervento.

Model - Modello - Modèle Modell	<b>ECO2SMALL PLUS</b>	
Manufacturer - Fabbricante - Constructeur Hersteller	<b>Epta Spa</b> - Via Mecenate, 86 - 20138 Milano (MI) ITALIA Tel. 02/55403211 Telefax 02/55401023	

## User manual

EN

### SICUREZZA DI SERVIZIO - VALVOLE DI SERVIZIO

IT

La manutenzione di tratti di tubazione o componenti in pressione deve essere eseguita in sicurezza.

FR

DE

Se la valvola di servizio è presente essa viene normalmente installata sulla presa di pressione del rubinetto ad angolo.

Con questo tipo di rubinetto ad angolo, quando quest'ultimo è aperto, la presa di pressione è isolata dal resto del circuito. Quando invece si chiude il rubinetto ad angolo, la presa di pressione (e quindi la valvola di servizio) viene messa in comunicazione con il fluido.

Le valvole di servizio sono installate in prossimità del circuito da escludere e, considerata la presenza ridotta di anidride carbonica nel tratto interessato, possono scaricare in ambiente interno.

Durante il funzionamento, nei punti in cui sono installate valvole di sicurezza, il rubinetto ad angolo deve essere aperto.

Nel caso non siano presenti valvole di servizio, il tecnico deve collegare ad una delle due prese di pressione predisposte per l'evacuazione un accessorio di sicurezza o un manometro che permetta di monitorare la pressione in modo da verificare che l'evacuazione del fluido refrigerante sia stata eseguita correttamente.

### Controlli periodici alla centrale frigorifera

Per un buon funzionamento della centrale frigorifera nel tempo, si consigliano i seguenti controlli periodici:

- verifica dell'integrità strutturale della macchina
- verifica di parti ossidate (l'eventuale presenza di ruggine dev'essere rimossa: verificarne l'origine e procedere, se necessario, con l'intervento di sistemazione)
- verifica sulla presenza di perdite (macchie anomale di olio nel pavimento, formazione di condensa per effetto di coibentazioni danneggiate, perdite attraverso tubi, ad esempio nella raccorderia di un condensatore ad acqua, richiedono un immediato intervento da parte del centro di assistenza autorizzato)
- verifica dell'integrità della linea di alimentazione elettrica (il cavo di collegamento della centrale frigorifera alla linea principale di alimentazione non deve presentare lacerazioni, screpolature o anomalie tali da comprometterne l'isolamento)



Nessun differenziale per la centrale frigorifera, dopo la sua installazione, deve essere montato a monte dell'alimentazione.

- Verificare il corretto serraggio delle viti dei rubinetti di mandata dei compressori (centrale frigorifera operante in regime transcritico)
- Verificare la presenza e il corretto fissaggio dei collari sulle tubazioni
- Verificare lo stato dei filtri

Model - Modello - Modèle Modell	<b>ECO2SMALL PLUS</b>	
Manufacturer - Fabbricante - Constructeur Hersteller	<b>Epta Spa</b> - Via Mecenate, 86 - 20138 Milano (MI) ITALIA Tel. 02/55403211 Telefax 02/55401023	

## 8.10 Situazioni di emergenza

### Si è verificato un aumento incontrollato della pressione nei circuiti di ALTA PRESSIONE:

- Verificare che non vi sia un guasto agli organi di regolazione.
- Verificare che il fluido secondario nel condensatore e nel gas cooler, durante il funzionamento dei compressori, non abbia subito un innalzamento di temperatura.
- Verificare che non vi sia un fermo prolungato dei compressori.
- Verificare che non vi sia una portata insufficiente o alta temperatura del fluido secondario durante il funzionamento dei compressori.
- Escludere la presenza di una fonte di calore ai lati del circuito di ALTA PRESSIONE.

### Si è verificato un aumento incontrollato della pressione nei circuiti di BASSA PRESSIONE:

- Verificare che non vi sia un fermo prolungato dei compressori.
- Escludere la presenza di una fonte di calore ai lati del circuito di BASSA PRESSIONE.

### Si è verificata una fuoriuscita di fluido refrigerante in pressione:

- Verificare un eventuale recente azionamento delle valvole dell'impianto.
- Verificare un eventuale recente smontaggio di componenti dell'impianto.

### Si rilevano modifiche ai valori di regolazione o esclusioni dei circuiti elettrici di controllo, comando e sicurezza dell'impianto:

- Verificare un eventuale recente intervento sui quadri elettrici e su organi attuatori da parte di personale autorizzato.

### Si è verificata una fuoriuscita di fluido refrigerante dall'impianto e contemporanea inibizione della valvola di sicurezza del circuito di ALTA PRESSIONE:

- Verificare un'eventuale chiusura dei rubinetti di mandata dei compressori sul circuito di ALTA PRESSIONE e al condensatore/gas cooler da parte di personale autorizzato.

### Si è verificata una fuoriuscita di fluido refrigerante dall'impianto e l'inibizione dei dispositivi di sicurezza:

- Verificare un'eventuale recente sostituzione di componenti sui quadri elettrici da parte di personale autorizzato.

### Si riscontrano delle sollecitazioni sulle tubazioni e i giunti dell'impianto:

- Verificare che, in conseguenza di dilatazione termica, i tratti rettilinei lunghi non si siano allungati e contratti.
- Verificare che, a causa della mancanza di supporti antivibranti sulla centrale frigorifera, le vibrazioni emesse da quest'ultima diano origine alle sollecitazioni.
- Verificare che non vi siano stati spostamenti di componenti dell'impianto.

### Si è verificato il cedimento di un componente dell'impianto:

- Verificare che ALTE o BASSE TEMPERATURE non abbiano arrecato infragilimento o riduzione della resistenza dei materiali dei componenti dell'impianto.
- Verificare la presenza di eventuali vibrazioni anomale.
- Verificare il corretto serraggio di viti e collari sulle tubazioni, che esclude l'intervento di pressostati di sicurezza dei compressori dell'utenza di MEDIA TEMPERATURA

Model - Modello - Modèle Modell	<b>ECO2SMALL PLUS</b>	
Manufacturer - Fabbricante - Constructeur Hersteller	<b>Epta Spa</b> - Via Mecenate, 86 - 20138 Milano (MI) ITALIA Tel. 02/55403211 Telefax 02/55401023	

EN  
IT  
FR  
DE

**Si è verificato uno scarico pericoloso di sovrappressione dell'impianto:**

- Verificare che i dispositivi di sicurezza, se remoti, siano installati in posizione adeguata.
- verificare che la tubazione non possa essere ostruita da agenti atmosferici e che lo scarico avvenga lontano da persone o cose.
- Verificare che l'efflusso delle valvole di sicurezza sia libero e non dia origine a formazione di ghiaccio secco che possa ostruire lo scarico.

**Si creano delle zone di abrasione sui punti di contatto tra tubazioni e punti di appoggio:**

- Verificare che tra tubazioni e punti di appoggio sia interposto un materiale avente bassa durezza.

Se le precedenti situazioni di emergenza non dipendono dai motivi elencati, rivolgersi al più vicino centro di assistenza autorizzato.

**8.11 Assistenza tecnica**

Qualora si rendesse necessario l'intervento del personale tecnico di assistenza, contattare immediatamente il fornitore presso il quale è stato acquistata la centrale frigorifera. Qualora vi fosse la necessità di usare pezzi di ricambio fare sempre riferimento al servizio tecnico di assistenza: chiedere ed accertarsi che vengano utilizzati ricambi originali.

**8.12 Smantellamento ed eliminazione**

In conformità alle norme per lo smantellamento dei rifiuti vigenti nei singoli Paesi e per il rispetto dell'ambiente in cui viviamo, la centrale frigorifera o le parti di essa eventualmente dismesse vanno smaltite opportunamente. Tutte le parti componenti la centrale frigorifera non sono assimilabili ai rifiuti solidi urbani fatta eccezione per le parti metalliche che comunque non figurano tra i rifiuti speciali per la maggior parte dei Paesi Europei.

I componenti del circuito di refrigerazione non devono essere tagliati e/o separati prima che venga scaricato il circuito, con recupero del gas refrigerante da parte di personale qualificato.

L'olio contenuto nei compressori deve essere opportunamente recuperato da parte di personale qualificato.

Model - Modello - Modèle Modell	<b>ECO2SMALL PLUS</b>	
Manufacturer - Fabbricante - Constructeur Hersteller	<b>Epta Spa</b> - Via Mecenate, 86 - 20138 Milano (MI) ITALIA Tel. 02/55403211 Telefax 02/55401023	

## 9. AVVERTENZE GENERALI INTEGRATIVE

### Istruzioni per la corretta installazione e manutenzione

Le istruzioni di uso e manutenzione si trovano nel Manuale Utente disponibile nei siti: [www.costan.com](http://www.costan.com) e [www.bonnetneve.com](http://www.bonnetneve.com).

Le istruzioni di installazione dedicate al personale esperto sono disponibili:

- Presso la rete di assistenza
- In alcune categorie di prodotto in forma cartacea consegnato insieme al prodotto

### Servizi professionali di riparazione

I servizi sono erogati dalla nostra rete di assistenza consultabile nell'area contatti all'indirizzo web [www.eptarefrigeration.com](http://www.eptarefrigeration.com).

### Parti di ricambio

Le parti di ricambio e le informazioni per la riparazione dell'apparecchio sono disponibili per almeno 8 anni dopo che il prodotto viene dichiarato fuori produzione al seguente indirizzo web: [www.epta-service.com/service](http://www.epta-service.com/service).

Le credenziali di accesso sono fornite su richiesta da inviare via mail a: [servicesupport@eptarefrigeration.com](mailto:servicesupport@eptarefrigeration.com).

### Condizioni ambientali

Il presente apparecchio è destinato a funzionare in ambienti in cui la temperatura e l'umidità rientrano nei limiti previsti nel Manuale di uso e manutenzione.

### Istruzioni per il disassemblaggio

Per il disassemblaggio occorre rivolgersi ad operatori professionali.

Il gruppo Epta, da sempre animato da una particolare attenzione per l'ambiente, mette a disposizione degli utenti i manuali di smantellamento e trattamento dei rifiuti, scaricabili di seguito.

Il Manuale di smantellamento è disponibile nel sito: [www.eptarefrigeration.com](http://www.eptarefrigeration.com).

### Limiti di applicazione



Questa centrale frigorifera è progettata per l'utilizzo, il trasporto e l'immagazzinamento fino ad un'altitudine massima di 1000m sul livello del mare.q

#### Immagazzinamento:

- Temperatura compresa tra -20°C e 45°C

#### Trasporto:

- Temperatura compresa tra -20°C e 45°C

#### Installazione:

- Temperatura compresa tra 0°C e 45°C

#### Utilizzo:

- Temperatura compresa tra 0°C e 45°C

Le prestazioni della cella frigorifera non sono garantite al di fuori del suo normale utilizzo.

Per la corretta gestione dei limiti di funzionamento dei componenti installati a bordo della centrale frigorifera, si faccia riferimento alla documentazione resa disponibile dai relativi fornitori.

Model - Modello - Modèle Modell	<b>ECO2SMALL PLUS</b>	
Manufacturer - Fabbricante - Constructeur Hersteller	<b>Epta Spa</b> - Via Mecenate, 86 - 20138 Milano (MI) ITALIA Tel. 02/55403211 Telefax 02/55401023	

## 10. DIRETTIVE E NORMATIVE DI RIFERIMENTO

DIRETTIVA EUROPEA	NORMATIVA EUROPEA	DIRETTIVA UK	NORMATIVA UK
Direttiva 2014/35/UE c o n c e r n e n t e l'armonizzazione delle legislazioni degli Stati membri relative alla messa a disposizione sul mercato del materiale elettrico destinato a essere adoperato entro taluni limiti di tensione	EN 61439-1	Electrical Equipment ( S a f e t y ) Low Voltage Regulations	BS EN IEC 61439-1
Direttiva 2014/30/UE c o n c e r n e n t e l'armonizzazione delle legislazioni degli Stati membri relative alla c o m p a t i b i l i t à elettromagnetica	EN 61000-6-1	EMC Regulations	BS EN IEC 61000-6-1
Direttiva 2013/35/UE sulle disposizioni minime di sicurezza e di salute relative all'esposizione dei lavoratori ai rischi derivanti dagli agenti fisici (campi elettromagnetici)	-	The Control of Electromagnetic Fields	-
Direttiva 2014/68/UE c o n c e r n e n t e l'armonizzazione delle legislazioni degli Stati membri relative alla messa a disposizione sul mercato di attrezzature a pressione	EN 14276-1	Pressure Equipment (Safety)	-
	EN 14276-2		-
Direttiva 2006/42/CE relativa alle macchine	EN 60204-1	Supply of Machinery (Safety)	BS EN 60204-1
	EN 378-1		BS EN 378-1
	EN 378-2		BS EN 378-2
	EN 378-3		BS EN 378-3
	EN 378-4 + A1		BS EN 378-4 + A1
	EN ISO 13849-1		BS EN ISO 13849-1
	EN ISO 13849-2		BS EN 12102
	EN ISO 4871		BS EN ISO 4871
	ISO 9614-3		BS EN ISO 9614-3
	EN 614-2		BS EN 614-2 + A1
EN ISO 12100	-		



Model - Modello - Modèle Modell	<b>ECO2SMALL PLUS</b>	
Manufacturer - Fabbricante - Constructeur Hersteller	<b>Epta Spa</b> - Via Mecenate, 86 - 20138 Milano (MI) ITALIA Tel. 02/55403211 Telefax 02/55401023	

DIRETTIVA EUROPEA	NORMATIVA EUROPEA	DIRETTIVA UK	NORMATIVA UK
Regolamento (UE) 2024/590 sulle sostanze che riducono lo strato di ozono Regolamento (CE) n. 1005/2009 sulle sostanze che riducono lo strato di ozono	-	The Ozone-Deleting Substances and Fluorinated Gases (Amendment etc)	-
Regolamento (UE) 2024/573 sui gas fluorurati a effetto serra	-	Fluorinated gas (F gas): guidance for users, producers and traders F-Gas on fluorinated greenhouse gases	-
Regolamento (UE) 2023/66 che modifica il regolamento (UE) 2021/821 del Parlamento europeo e del Consiglio per quanto riguarda l'elenco dei prodotti a duplice uso	-	The Trade in Torture etc. Goods (Amendment)	-
-	ISO 14040 – 14043	-	BS EN ISO 14040 + A1

EN

IT

FR

DE



Le direttive/normative si riferiscono all'anno di pubblicazione più recente



Model - Modello - Modèle Modell	<b>ECO2SMALL PLUS</b>	
Manufacturer - Fabbricante - Constructeur Hersteller	<b>Epta Spa</b> - Via Mecenate, 86 - 20138 Milano (MI) ITALIA Tel. 02/55403211 Telefax 02/55401023	

**TABLE DES MATIÈRES**

<b>1. Introduction</b>	<b>4</b>
<b>2. Avertissements de sécurité</b>	<b>5</b>
2.1 Avertissements généraux	5
2.2 Avertissements pour l'entretien de la centrale frigorifique	6
2.3 Avertissements électriques	6
2.4 Interdictions	7
<b>3. Description générale</b>	<b>8</b>
3.1 Vues en coupe	12
<b>4. Transport de la centrale frigorifique</b>	<b>14</b>
<b>5. Conditions ambiantes</b>	<b>15</b>
<b>6. Connexion électrique</b>	<b>17</b>
<b>7. Caractéristiques techniques</b>	<b>18</b>
<b>8. Indications utilisateur</b>	<b>19</b>
8.1 Le fluide frigorigène R744 dans le cycle en régime transcritique	19
8.2 Description de la centrale frigorifique	19
8.3 Transport et déplacement	21
8.4 Réception et stockage	21
8.5 Installation et conditions ambiantes	22
8.6 Connexion électrique	24
8.7 Caractéristiques techniques	24
8.8 Accessoires et options	25
8.9 Entretien et vérifications périodiques	26
8.10 Situations d'urgence	29
8.11 Service après-vente	30
8.12 Démantèlement et élimination	30
<b>9. Avertissements généraux supplémentaires</b>	<b>31</b>
<b>10. Directives et règlements de référence</b>	<b>32</b>

**SYMBOLIQUE UTILISÉE**

Symbole d'interdiction: interdiction d'effectuer certaines opérations.



Symbole d'attention: normes anti-accident pour l'opérateur.



Symbole avertissements : risque d'endommager la centrale frigorifique et/ou ses composants.



Symbole de remarque: fourniture d'informations utiles.

Model - Modello - Modèlo Modell	<b>ECO2SMALL PLUS</b>	
Manufacturer - Fabbricante - Constructeur Hersteller	<b>Epta Spa</b> - Via Mecenate, 86 - 20138 Milano (MI) ITALIA Tel. 02/55403211 Telefax 02/55401023	

## 1. INTRODUCTION

Veillez lire attentivement ce manuel et le conserver avec la centrale frigorifique.

Le constructeur décline toute responsabilité pour tout préjudice causé aux personnes ou aux biens, dû au non-respect des consignes indiquées dans ce manuel.



Ce manuel contient les informations considérées nécessaires pour une utilisation correcte et un bon fonctionnement de la centrale frigorifique.

Il contient les descriptions et les informations suivantes:

- une description fonctionnelle de la centrale frigorifique et de chacune de ses parties
- des informations sur la sécurité de la centrale frigorifique et les règles anti-accident auxquelles se conformer.
- une utilisation correcte de la centrale frigorifique
- un bon entretien ordinaire et programmé, y compris les opérations de nettoyage

Ce manuel fait référence à la centrale frigorifique dans ses différentes parties (divisées et expédiées en colis séparés) :

- frigorifique
- électrique (comprenant le tableau électrique)
- hydraulique (comprenant les modules additionnels)

Informations non contenues dans ce manuel:

- Instructions d'installation

Pour installer correctement la centrale frigorifique, faire référence aux documents suivants :

- Instructions de référence rapides

Ce manuel s'adresse aux professionnels suivants:

- **OPÉRATEUR QUALIFIÉ** personne qualifiée, instruite pour faire fonctionner la centrale frigorifique et effectuer son réglage, son nettoyage et son entretien ordinaire
- **TECHNICIEN SPÉCIALISÉ** technicien formé et autorisé par l'organisme indiqué dans le contrat (constructeur/concessionnaire/distributeur) à effectuer : l'installation, l'entretien exceptionnel, la réparation, le remplacement et la révision de la centrale frigorifique

Ces instructions sont aussi disponibles sur : [www.eptarefrigeration.com](http://www.eptarefrigeration.com).

**En ce qui concerne les réglementations et les certifications de la centrale frigorifique, faire référence à la déclaration de conformité.**

Model - Modello - Modèle Modell	<b>ECO2SMALL PLUS</b>	
Manufacturer - Fabbricante - Constructeur Hersteller	<b>Epta Spa</b> - Via Mecenate, 86 - 20138 Milano (MI) ITALIA Tel. 02/55403211 Telefax 02/55401023	

## 2. AVERTISSEMENTS DE SÉCURITÉ

### 2.1 Avertissements généraux



Le constructeur décline toute responsabilité pour tout préjudice corporel ou matériel dû à un manque d'observation des avertissements contenus dans ce manuel. Toute personne utilisant cette centrale frigorifique doit avoir lu le présent manuel de l'utilisateur.



L'employeur doit instruire ses personnels sur les risques d'accident, les dispositifs prévus pour la sécurité des personnels, les risques d'émissions sonores et les règles générales de prévention des accidents requises par la réglementation en vigueur.



La centrale frigorifique doit être utilisée par des personnes adultes possédant les connaissances nécessaires et dont les capacités physiques, sensorielles ou mentales ne sont pas diminuées. La centrale frigorifique n'est pas destinée à être utilisée par des mineurs (en particulier de 0 à 3 ans). Il est de la responsabilité des adultes de surveiller les enfants afin qu'ils ne jouent pas avec la centrale frigorifique.



Tout autre usage non explicitement indiqué dans ce manuel doit être considéré comme dangereux, et le constructeur ne pourra être tenu pour responsable d'éventuels dommages dérivant d'une utilisation impropre, erronée et non raisonnable.



La centrale frigorifique doit être utilisée par des personnels munis d'équipements de protection individuelle appropriés.



Le port de gants de travail est obligatoire.



Ne pas laisser la centrale frigorifique sans caisson exposée aux intempéries.



Ne pas utiliser de jets d'eau directs ou indirects sur la centrale frigorifique.



Le retrait de protections ou de panneaux requérant l'utilisation d'outils doit exclusivement être effectué par des personnels qualifiés.



Pour le montage d'accessoires dédiés, en option, veuillez vous adresser au service après-vente agréé le plus proche.



Toute opération doit exclusivement être effectuée par des personnels qualifiés. En tout cas, avant toute intervention, couper l'alimentation électrique de la centrale frigorifique.



Faire attention aux parties chaudes ou en mouvement marquées du symbole approprié.



En cas d'incendie, ne pas utiliser de l'eau pour éteindre les flammes, mais exclusivement des extincteurs à sec.




Ne pas endommager le circuit réfrigérant.


Model - Modello - Modèle Modell	<b>ECO2SMALL PLUS</b>	
Manufacturer - Fabbricante - Constructeur Hersteller	<b>Epta Spa</b> - Via Mecenate, 86 - 20138 Milano (MI) ITALIA Tel. 02/55403211 Telefax 02/55401023	


User manual


EN  
IT  
FR  
DE


## 2.2 Avertissements pour l'entretien de la centrale frigorifique

 Les opérations d'entretien sont exclusivement réservées aux personnels autorisés.


 L'accès aux parties électriques et/ou aux parties nécessitant l'utilisation d'outils est réservé aux techniciens spécialisés.


 Avant toute opération d'entretien, couper la tension au tableau électrique.


 Faire attention aux parties chaudes ou en mouvement marquées du symbole approprié.


 Le port de gants de travail est obligatoire.


## 2.3 Avertissements électriques

 S'assurer que la tension d'alimentation correspond aux caractéristiques de plaque de la centrale frigorifique.

 L'installation électrique doit être effectuée dans les règles de l'art par des techniciens spécialisés.


 Le retrait du couvercle du tableau électrique est réservé aux techniciens spécialisés.


 L'installation de la centrale frigorifique doit être effectuée conformément aux instructions du constructeur, par des personnels professionnellement qualifiés et dans le respect des normes sur les installations électriques en vigueur dans chaque pays.


 Une installation erronée de la centrale frigorifique risque de causer des préjudices aux personnes, aux animaux ou aux biens par rapport auxquels le constructeur décline toute responsabilité.


Model - Modello - Modèle Modell	<b>ECO2SMALL PLUS</b>	
Manufacturer - Fabbricante - Constructeur Hersteller	<b>Epta Spa</b> - Via Mecenate, 86 - 20138 Milano (MI) ITALIA Tel. 02/55403211 Telefax 02/55401023	


## 2.4 Interdictions


 Il est interdit d'utiliser la centrale frigorifique à d'autres fins que pour l'installation dans des circuits de réfrigération à compression fonctionnant avec des fluides frigorigènes (par exemple, comme pompe à eau ou à air ou comme dispositif d'élimination des fluides frigorigènes ou autres).


 Il est interdit d'installer la centrale frigorifique dans des installations autres que celles avec des circuits frigorifiques à compression fonctionnant avec des fluides frigorigènes.


 Il est interdit d'utiliser des fluides frigorigènes, caloporteurs ou lubrifiants non admis pour le fonctionnement de la centrale frigorifique.


 Il est interdit aux personnels non spécialisés de retirer le couvercle du tableau électrique ou d'ouvrir des panneaux nécessitant l'utilisation d'outils.


 Il est interdit d'installer la centrale frigorifique dans des locaux fermés et dans des salles techniques où sont présentes des substances gazeuses explosives.

 Il est interdit de retirer la plaque du matricule de la centrale frigorifique.

 Il est interdit de monter sur la centrale frigorifique.

 Il est interdit de remplacer des composants et/ou de modifier la centrale frigorifique hors des spécifications prévues par le constructeur, ainsi que de remplacer des pièces de rechange d'origine par d'autres non homologuées par le constructeur, sous peine d'invalidation de la garantie.

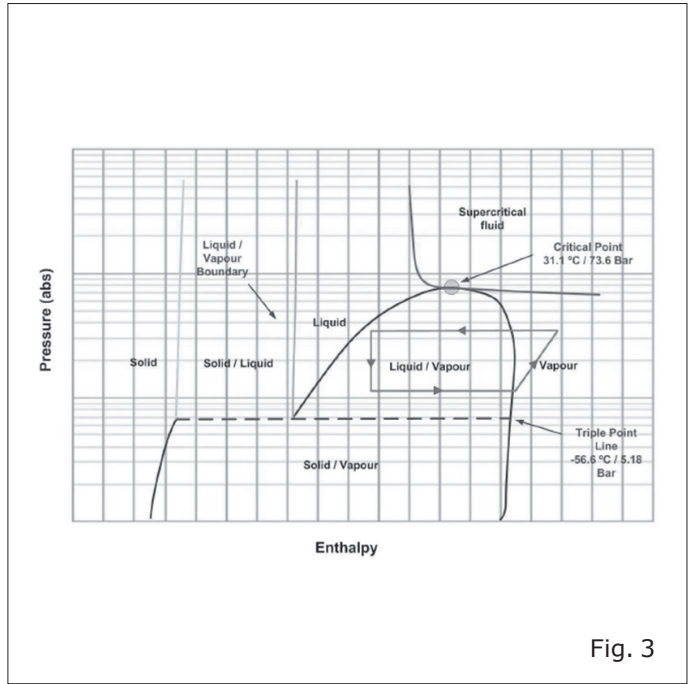
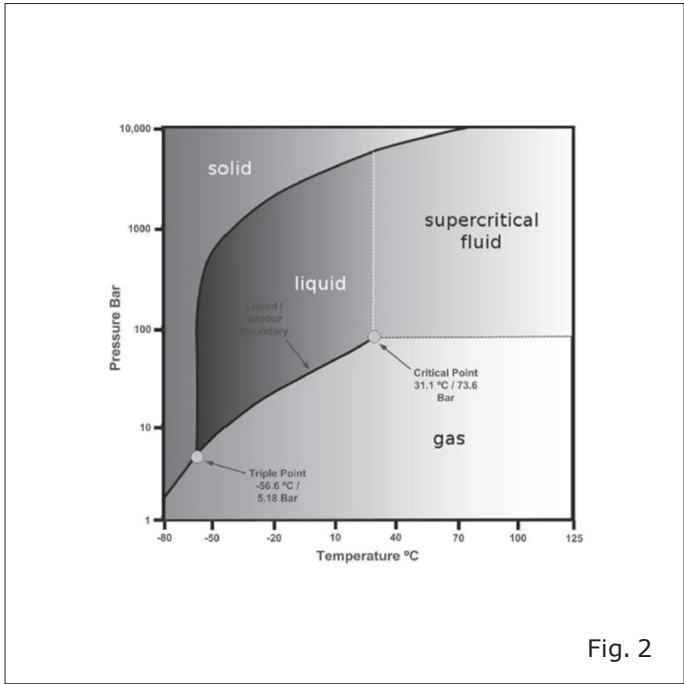
 Il est interdit de modifier le tableau électrique sans l'autorisation du constructeur.

 L'accès à la salle technique où est installée la centrale frigorifique et aux zones limitrophes est interdit aux personnels non autorisés.

User manual

**3. DESCRIPTION GÉNÉRALE**

EN  
IT  
FR  
DE



Réfrigérant	POINT TRIPLE		POINT CRITIQUE	
	Température [°C]	Pression [bar]	Température [°C]	Pression [bar]
R744	-56.6	5.18	31.1	73.6



Model - Modello - Modèle  
Modell

## ECO2SMALL PLUS



Manufacturer - Fabbricante - Constructeur  
Hersteller

Epta Spa - Via Mecenate, 86 - 20138 Milano (MI) ITALIA  
Tel. 02/55403211 Telefax 02/55401023

User manual

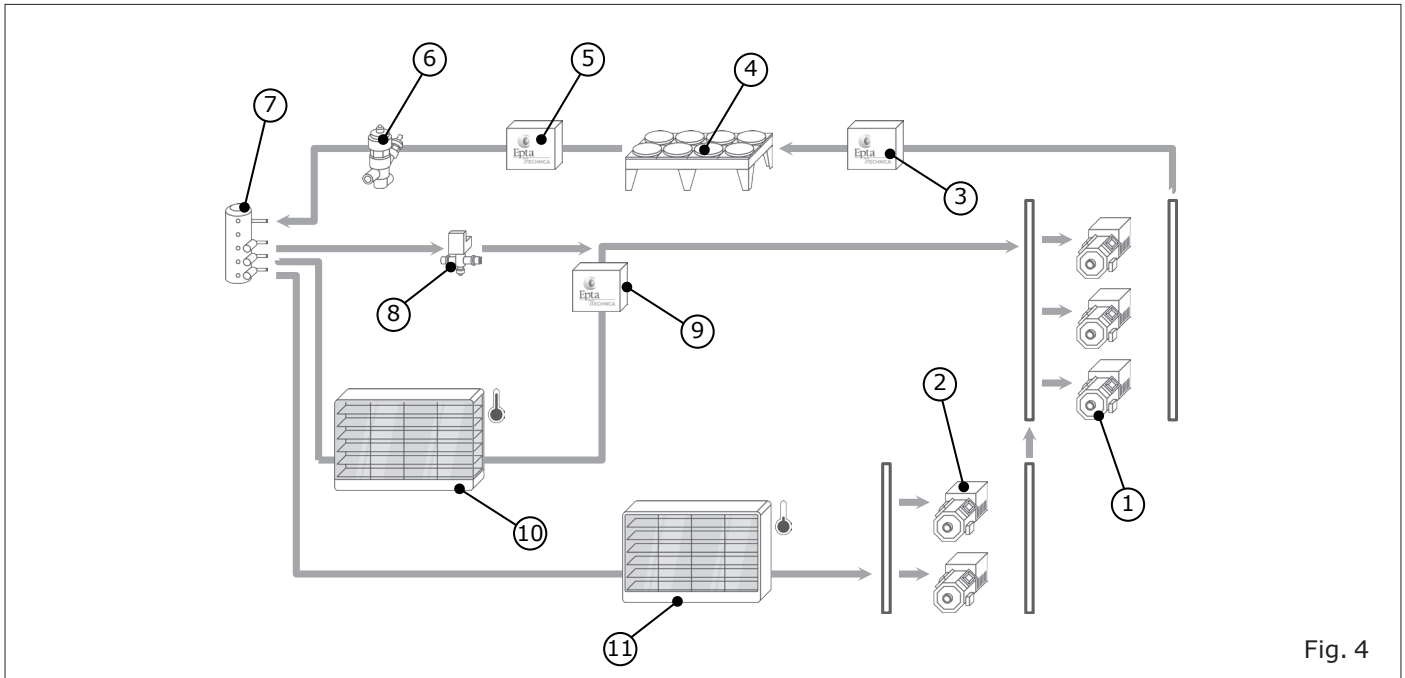


Fig. 4

1. Compresseurs MOYENNE TEMPÉRATURE
2. Compresseurs BASSE TEMPÉRATURE
3. Module de récupération de la chaleur
4. Refroidisseurs de gaz
5. Module ETE
6. Vanne transcritique (HPV)
7. Réservoir de liquide
8. Vanne by-pass flash gas
9. Module FTE
10. Appareil MOYENNE TEMPÉRATURE
11. Appareil BASSE TEMPÉRATURE

Model - Modello - Modèle Modell	<b>ECO2SMALL PLUS</b>	
Manufacturer - Fabbricante - Constructeur Hersteller	<b>Epta Spa</b> - Via Mecenate, 86 - 20138 Milano (MI) ITALIA Tel. 02/55403211 Telefax 02/55401023	

User manual

- EN
- IT
- FR
- DE

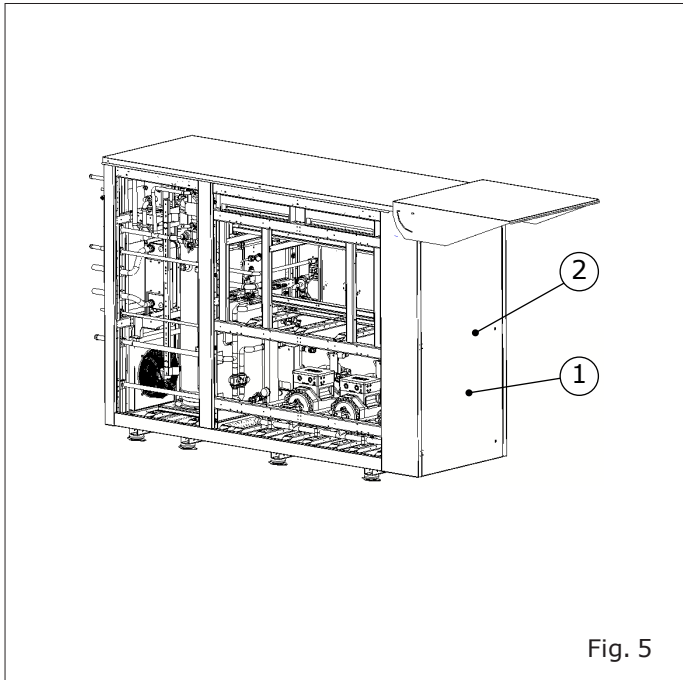


Fig. 5

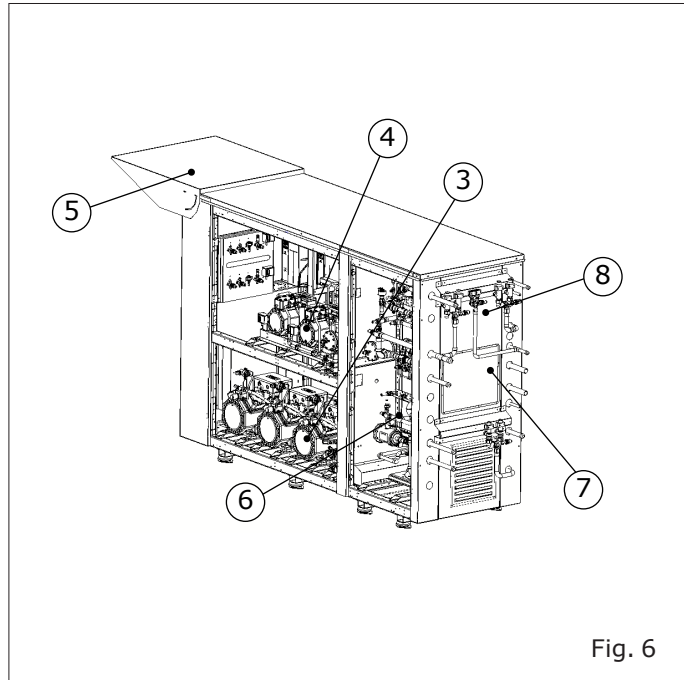


Fig. 6

1. *Plaque des caractéristiques*
2. *Logement tableau électrique*
3. *Compresseurs MOYENNE TEMPÉRATURE*
4. *Compresseurs BASSE TEMPÉRATURE*
5. *Toit anti-pluie (option)*
6. *Réservoir de liquide*
7. *Raccordements liquide, aspiration, retour du refroidisseur de gaz, eau pour la récupération de chaleur, FTE*
8. *Soupapes de sécurité*

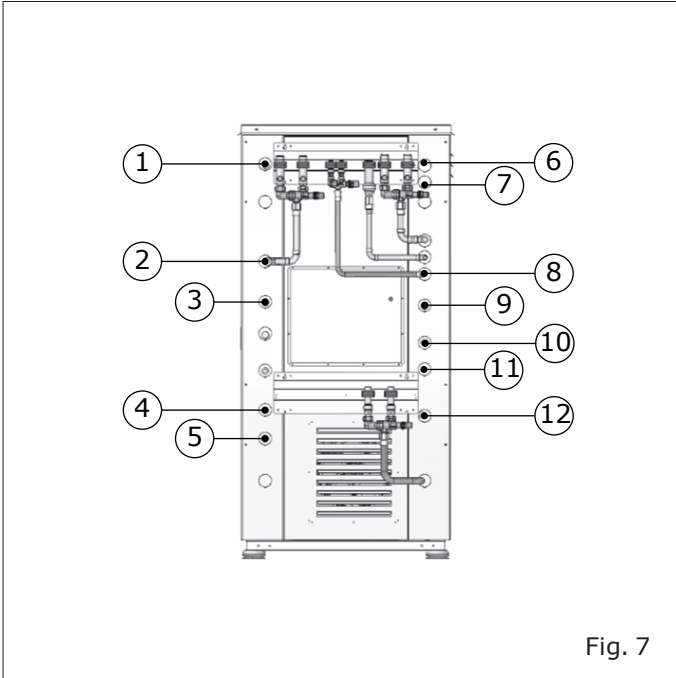


Fig. 7

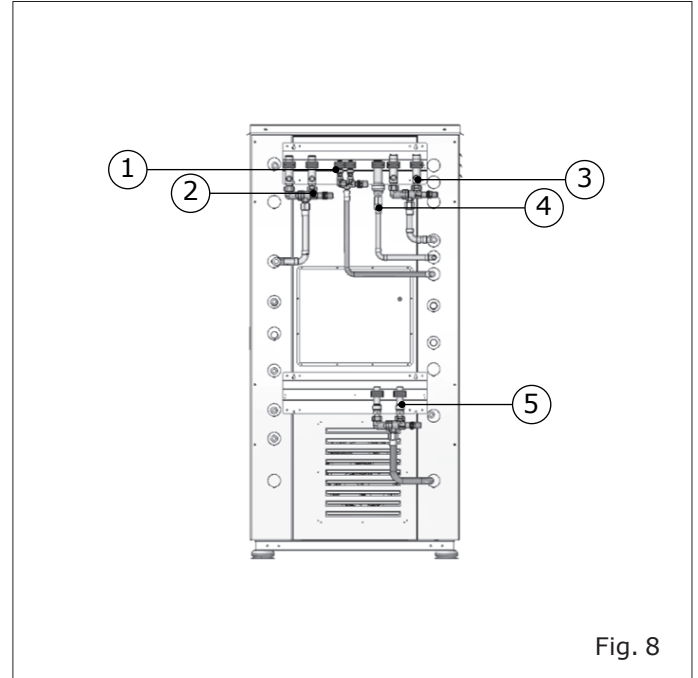


Fig. 8

1. Entrée retour depuis refroidisseur de gaz (1" 1/8 K65)
2. Entrée aspiration depuis étage MOYENNE TEMPÉRATURE (1" 3/8 K65 / 1" 1/8 K65)
3. Flash gas vers FTE (1" 1/8 K65)
4. Sortie vers le refroidisseur de gaz avec récupération de chaleur (1" 1/8 K65)
5. Sortie ligne liquide (1" 1/8 K65 / 7/8" K65)
6. Sortie ligne aspiration sous-refroidisseur R134a (22mm Cu)
7. Entrée ligne liquide sous-refroidisseur R134a (16mm Cu)
8. Entrée ligne aspiration depuis utilisateur BASSE TEMPÉRATURE (22x1,5mm Cu / 7/8" K65)
9. Sortie H<sub>2</sub>O 0|(35mm Cu)
10. Entrée H<sub>2</sub>O (35mm Cu)
11. Vers le by-pass du désurchauffeur à air dans la ligne d'échappement des compresseurs appareil BASSE TEMPÉRATURE (5/8" K65)
12. Sortie vers le refroidisseur de gaz sans récupération de chaleur (1" 1/8 K65)

1. Aspiration appareil MOYENNE TEMPÉRATURE, double avec robinet d'échange
2. Aspiration appareil BASSE TEMPÉRATURE, double avec robinet d'échange
3. Réservoir de liquide, double avec robinet d'échange
4. Aspiration module ETE 100 bars (en option)
5. Haute pression 120 bars, double avec robinet d'échange

Model - Modello - Modèle Modell	<b>ECO2SMALL PLUS</b>	
Manufacturer - Fabbricante - Constructeur Hersteller	<b>Epta Spa</b> - Via Mecenate, 86 - 20138 Milano (MI) ITALIA Tel. 02/55403211 Telefax 02/55401023	

User manual

### 3.1 Vues en coupe

- EN
- IT
- FR
- DE

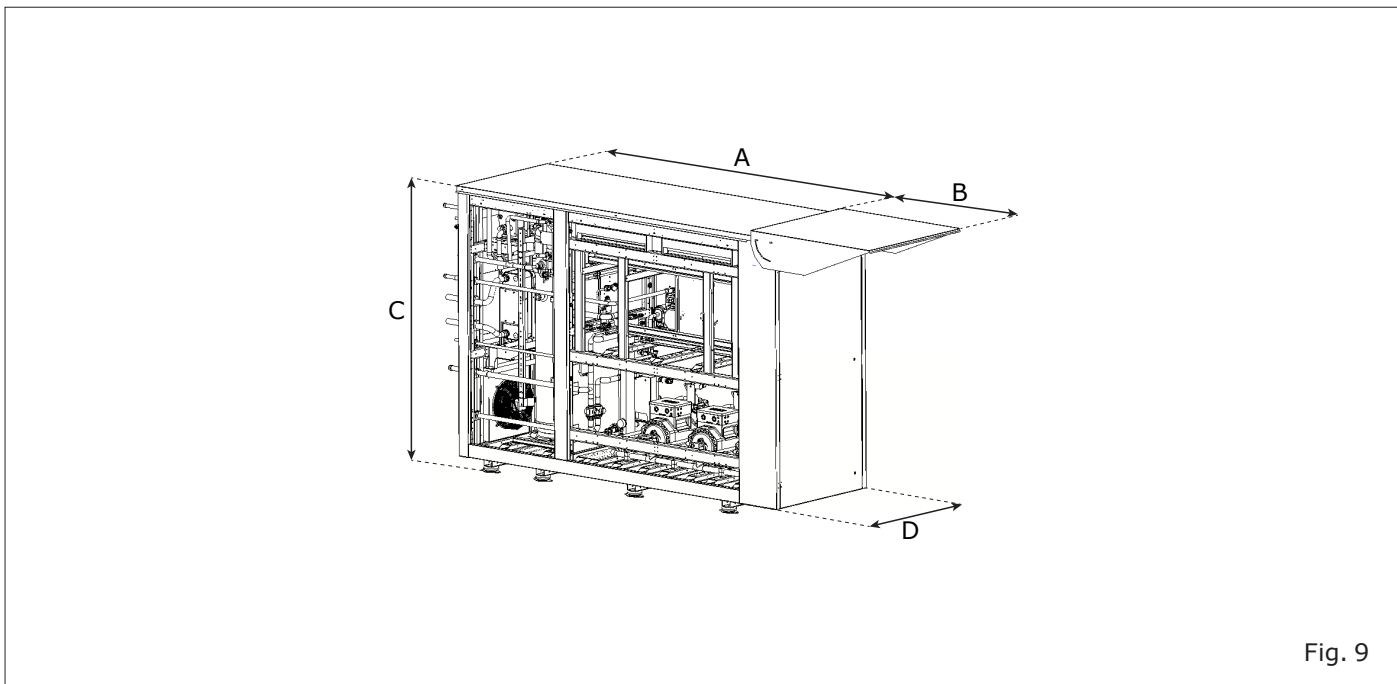


Fig. 9

Tab. I

Version	Longueur A (mm)	Longueur B toit anti-pluie (mm)	Hauteur C (mm)	Profondeur D (mm)
3 MT	3030	910	2080	1000
2 MT + 1 ETE	3030	910	2080	1000
3 MT + 2 LT	3030	910	2080	1000
2 MT + 2 LT + 1 ETE	3030	910	2080	1000

1. MT = compresseur appareil MOYENNE TEMPÉRATURE
2. LT = compresseur appareil BASSE TEMPÉRATURE
3. ETE = compresseur dédié à la configuration ETE ("Extreme Temperature Efficiency")

Model - Modello - Modèle Modell	<b>ECO2SMALL PLUS</b>	
Manufacturer - Fabbricante - Constructeur Hersteller	<b>Epta Spa</b> - Via Mecenate, 86 - 20138 Milano (MI) ITALIA Tel. 02/55403211 Telefax 02/55401023	

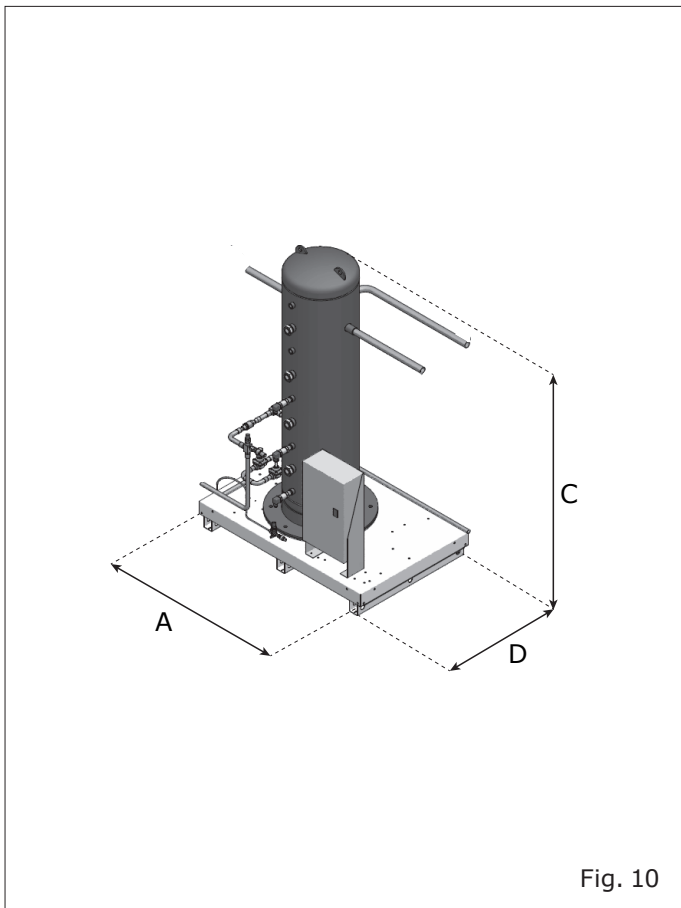


Fig. 10

Module FTE À DISTANCE sans caisson

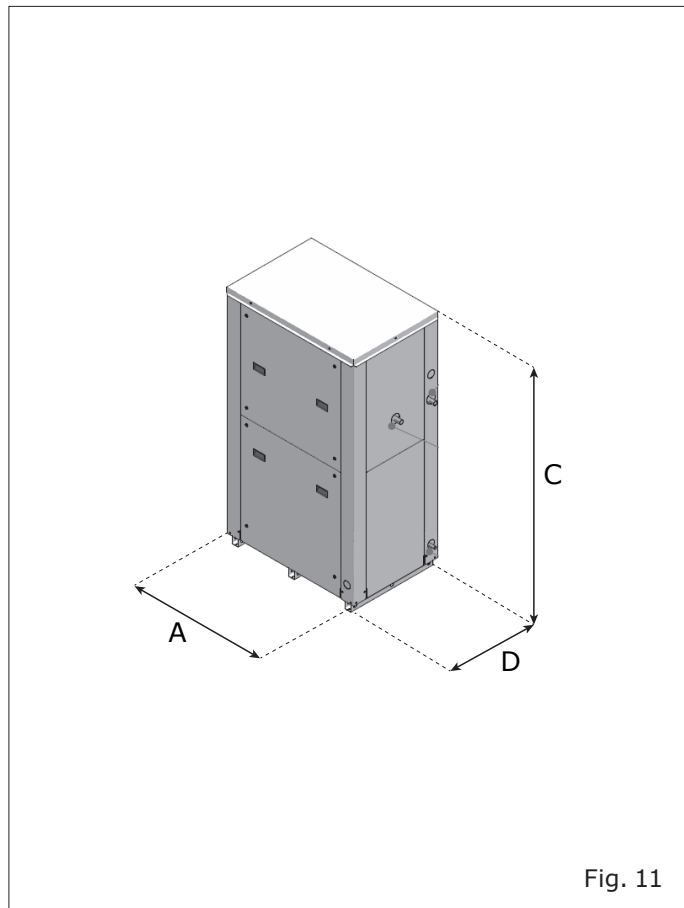


Fig. 11

Module FTE À DISTANCE avec caisson

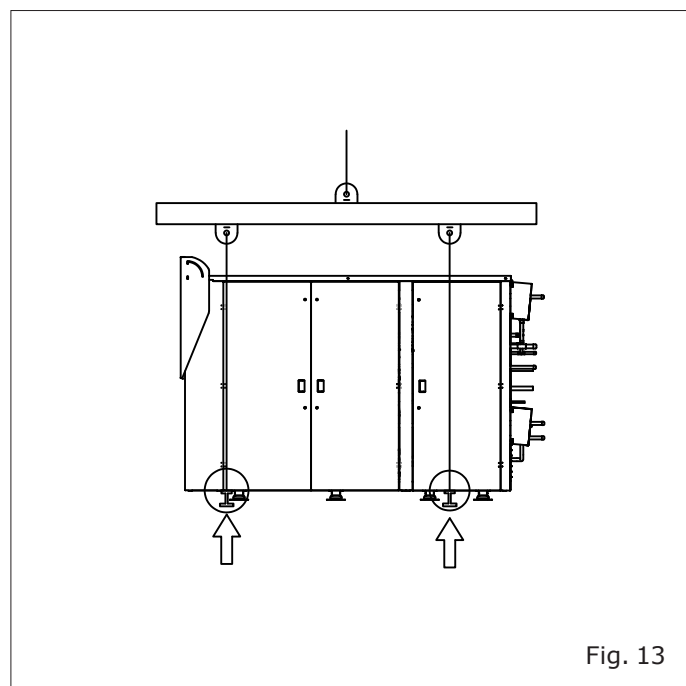
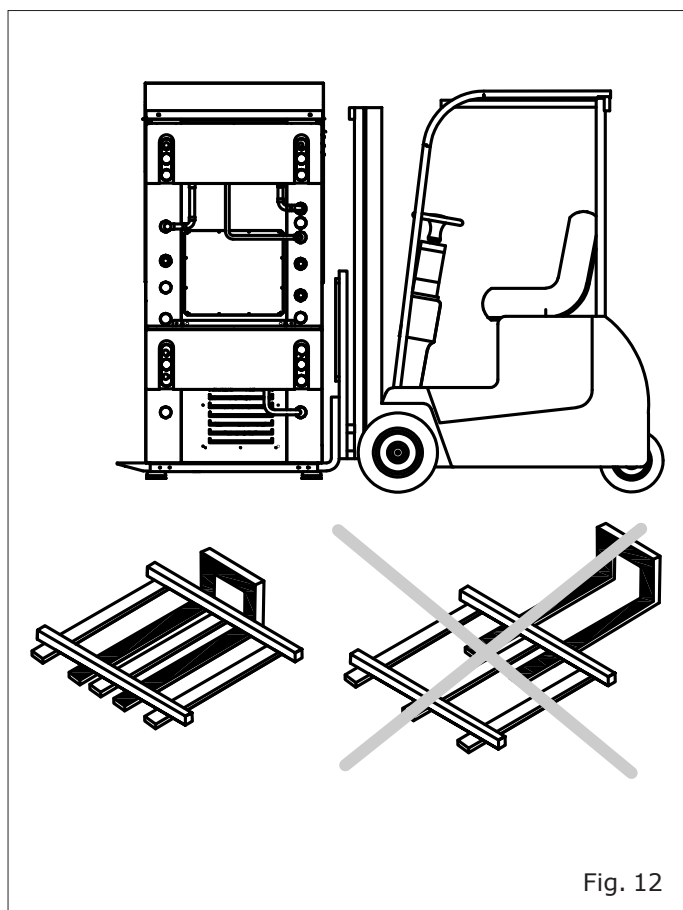
**Tab. II**

Accessoire À DISTANCE	Longueur A (mm)	Hauteur C (mm)	Profondeur D (mm)
Module FTE sans caisson	1200	1770	800
Module FTE avec caisson	1200	2110	800

Model - Modello - Modèle Modell	<b>ECO2SMALL PLUS</b>	
Manufacturer - Fabbricante - Constructeur Hersteller	<b>Epta Spa</b> - Via Mecenate, 86 - 20138 Milano (MI) ITALIA Tel. 02/55403211 Telefax 02/55401023	

User manual

## 4. TRANSPORT DE LA CENTRALE FRIGORIFIQUE

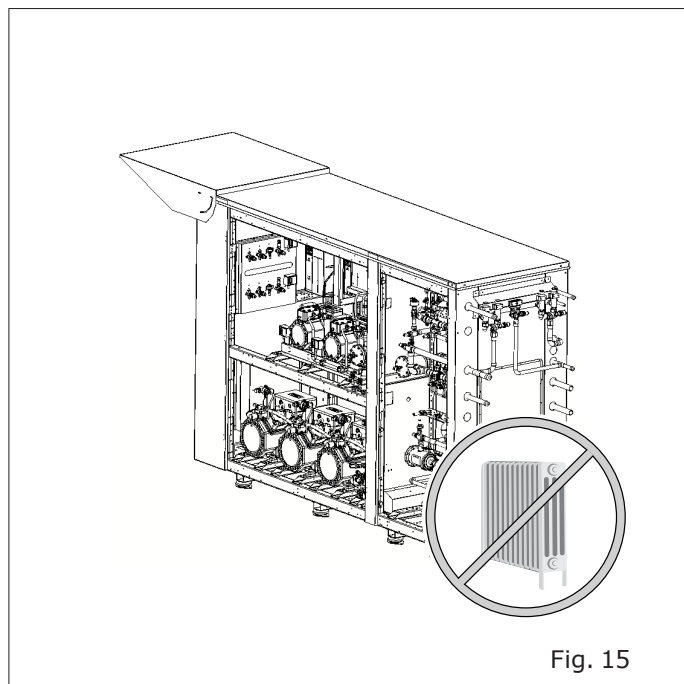
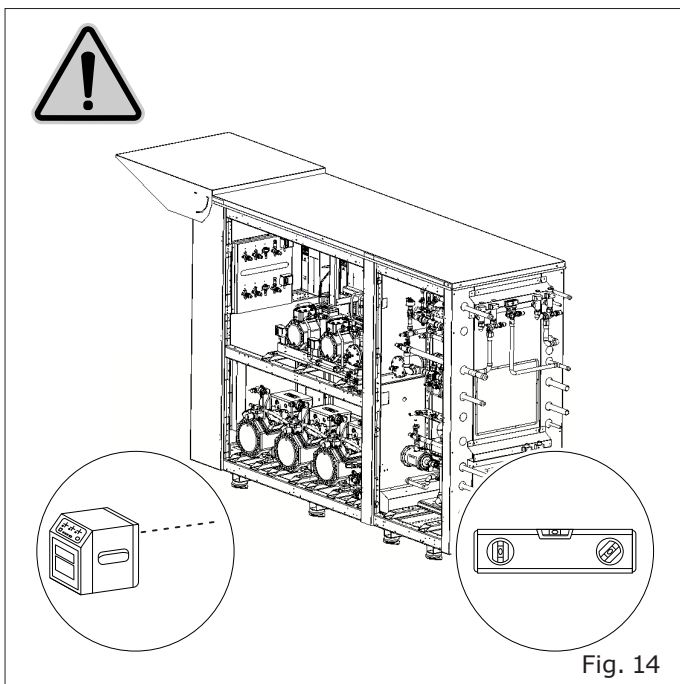


**Tab. III**

Version	Poids net maximum sans caisson (kg)	Poids net maximum avec caisson non insonorisé (kg)	Poids net maximum avec caisson insonorisé (kg)
3 MT	2040	2300	2420
2 MT + 1 ETE	1990	2260	2370
3 MT + 2 LT	2190	2460	2570
2 MT + 2 LT + 1 ETE	2190	2460	2570

Model - Modello - Modèle Modell	<b>ECO2SMALL PLUS</b>	
Manufacturer - Fabbricante - Constructeur Hersteller	<b>Epta Spa</b> - Via Mecenate, 86 - 20138 Milano (MI) ITALIA Tel. 02/55403211 Telefax 02/55401023	

## 5. CONDITIONS AMBIANTES



**Tab. IV**

Caractéristiques	
Type d'environnement	Extérieur / Intérieur
Température	<45°C
Caisson insonorisé	Obligatoire en cas d'environnement extérieur

**Tab. V**

Version	Lp max sans caisson @10m (dB(A))	Lp max avec caisson insonorisé @10m (dB(A))
3 MT	58	53
2 MT + 1 ETE	57	51
3 MT + 2 LT	59	53
2 MT + 2 LT + 1 ETE	57	52

Model - Modello - Modèle Modell	<b>ECO2SMALL PLUS</b>	
Manufacturer - Fabbricante - Constructeur Hersteller	<b>Epta Spa</b> - Via Mecenate, 86 - 20138 Milano (MI) ITALIA Tel. 02/55403211 Telefax 02/55401023	

User manual

- EN
- IT
- FR
- DE

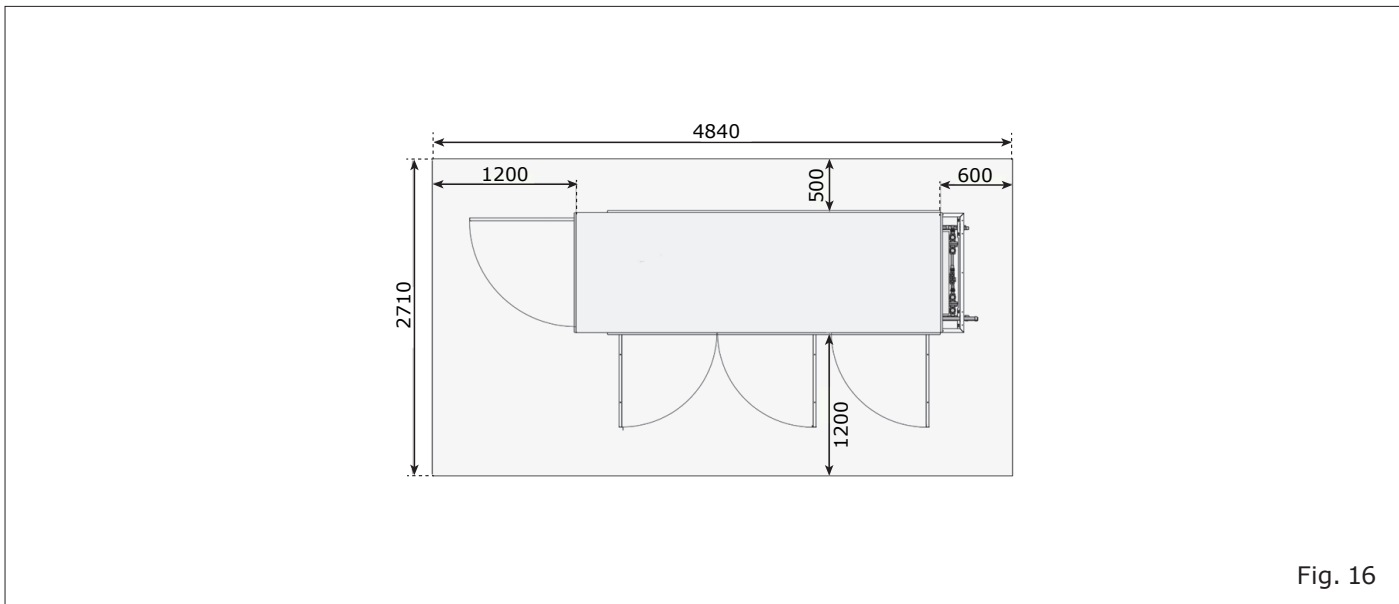


Fig. 16

Espace fonctionnel par rapport à l'entretien

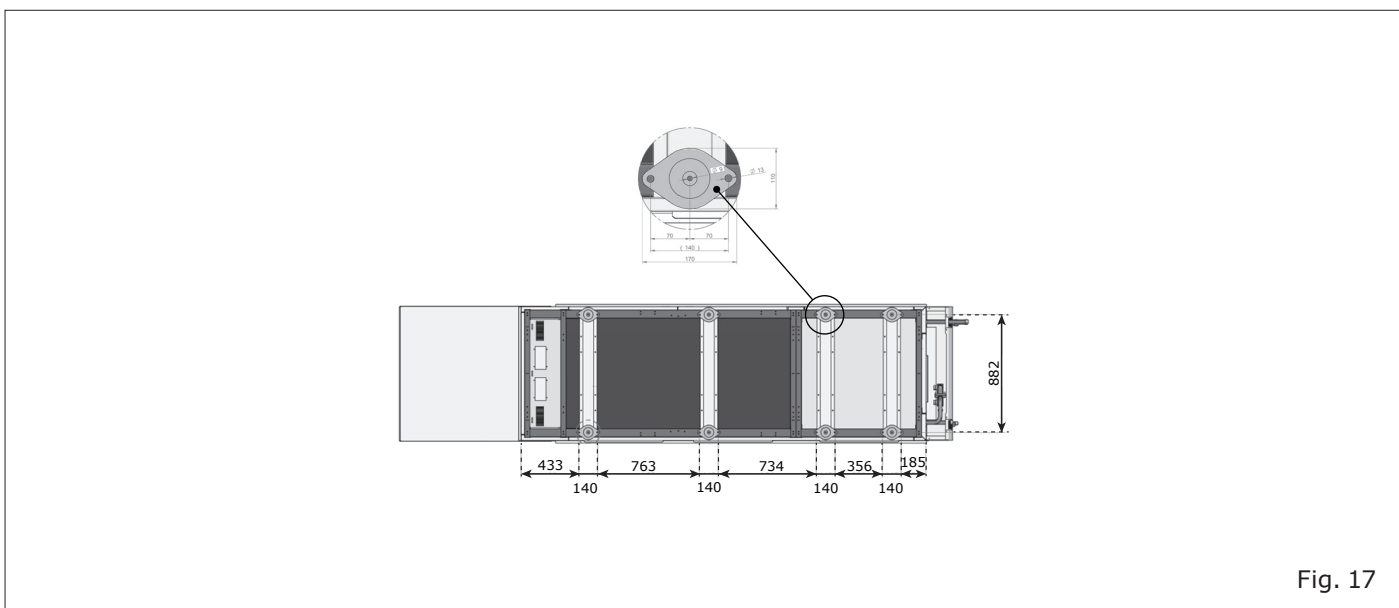


Fig. 17



Model - Modello - Modèle  
Modell

## ECO2SMALL PLUS



Manufacturer - Fabbricante - Constructeur  
Hersteller

**Epta Spa** - Via Mecenate, 86 - 20138 Milano (MI) ITALIA  
Tel. 02/55403211 Telefax 02/55401023

User manual

## 6. CONNEXION ÉLECTRIQUE

EN

IT

FR

DE

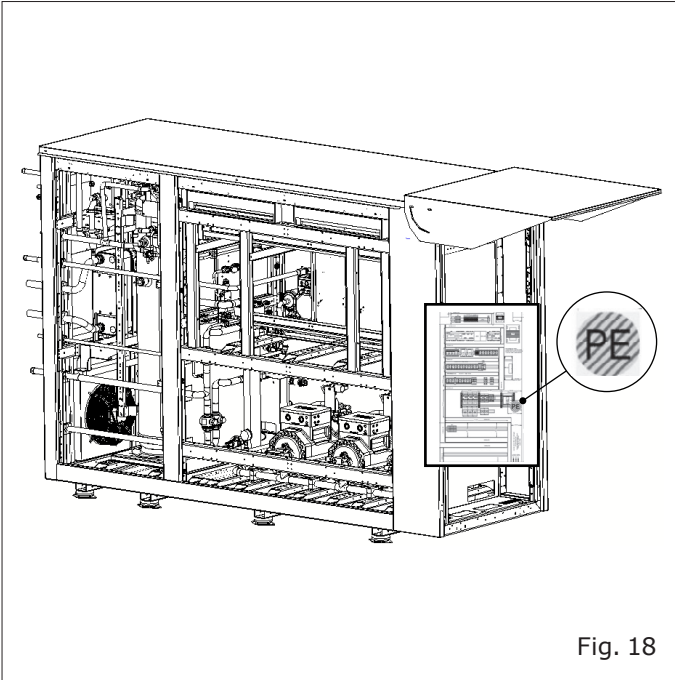


Fig. 18

Model - Modello - Modèle Modell	<b>ECO2SMALL PLUS</b>	
Manufacturer - Fabbricante - Constructeur Hersteller	<b>Epta Spa</b> - Via Mecenate, 86 - 20138 Milano (MI) ITALIA Tel. 02/55403211 Telefax 02/55401023	

User manual

## 7. CARACTÉRISTIQUES TECHNIQUES





	② 	 1370
MODELLO / MODEL _____ ③	MATRICOLA / SERIAL N. _____ ④	
DATA / DATE _____ ⑤	CODICE / CODE _____ ⑥	
CODICE QUADRO ELETTRICO / ELECTRICAL PANEL CODE _____ ⑦		
TENSIONE / VOLTAGE _____ ⑧ V _____ Ph _____ Hz		
CORRENTE NOMINALE SENZA UTENZE / NOMINAL CURRENT WITH NO USERS _____ ⑨ A		
FUSIBILI GENERALI / FUSES  _____ ⑩ A		
MANDATA / DISCHARGE _____ ⑪ PS _____ bar	⑫ TS _____ bar	
LIQUIDA / LIQUID _____ ⑬ PS _____ bar	⑭ TS _____ bar	
ASPIRAZIONE MT / SUCTION LINE MT _____ ⑮ PS _____ bar	⑯ TS _____ bar	
ASPIRAZIONE BT / SUCTION LINE LT _____ ⑰ PS _____ bar	⑱ TS _____ bar	
ASPIRAZIONE MT: / SUCTION LINE MT: _____ ⑲ PS _____ bar	⑳ TS _____ bar	
REFRIGERANTE / REFRIGERANT _____ ㉑	CARICA / CHARGE _____ ㉒ kg	

Fig. 19

- |   |  |
|---|--|
| <ol style="list-style-type: none"> <li>1. Origine du produit</li> <li>2. Code-barres</li> <li>3. Modèle</li> <li>4. Numéro de série</li> <li>5. Date de fabrication</li> <li>6. Code Hat</li> <li>7. Code du tableau électrique</li> <li>8. Tension nominale</li> <li>9. Courant nominal sans appareils</li> <li>10. Courant nominal fusibles généraux</li> <li>11. Pression maximum admissible ligne de refoulement</li> <li>12. Température maximum admissible ligne de refoulement</li> <li>13. Pression maximum admissible ligne liquide</li> <li>14. Température maximum admissible ligne liquide</li> </ol> | <ol style="list-style-type: none"> <li>15. Pression maximum admissible ligne aspiration appareils MOYENNE TEMPÉRATURE</li> <li>16. Température maximum admissible ligne aspiration appareils MOYENNE TEMPÉRATURE</li> <li>17. Pression maximum admissible ligne aspiration appareils BASSE TEMPÉRATURE</li> <li>18. Température maximum admissible ligne aspiration appareils BASSE TEMPÉRATURE</li> <li>19. Pression maximum admissible deuxième ligne aspiration (ETE, AC, ...)</li> <li>20. Température maximum admissible deuxième ligne aspiration (ETE, AC, ...)</li> <li>21. Type de réfrigérant</li> <li>22. Masse réfrigérante (pour centrale frigorifique préchargée)</li> </ol> |
|---|--|

Model - Modello - Modèle Modell	<b>ECO2SMALL PLUS</b>	
Manufacturer - Fabbricante - Constructeur Hersteller	<b>Epta Spa</b> - Via Mecenate, 86 - 20138 Milano (MI) ITALIA Tel. 02/55403211 Telefax 02/55401023	

## 8. INDICATIONS UTILISATEUR

### 8.1 Le fluide frigorigène R744 dans le cycle en régime transcritique

Le cycle de base de la réfrigération à R744 se compose de quatre transformations : compression, condensation, détente ou expansion (principe inverse de la compression, cette transformation a lieu dans la vanne électronique ou thermostatique en haut de l'évaporateur) et évaporation.

Le cycle transcritique est ainsi nommé parce que la transformation de condensation s'effectue au-dessus du point critique. Lorsque cela a lieu, on ne parlera plus de condensation, mais de gas-cooling (refroidissement de gaz).

Lorsqu'on travaille au-dessus du point critique, la pression et la température ne sont plus déterminées de manière univoque entre elles, c'est-à-dire qu'à une température déterminée correspondent plusieurs pressions. Dans ce cas, on mesurera la température à la sortie du refroidisseur de gaz, ce qui permet de trouver la pression qui optimise le rendement de la centrale. (Cette opération est effectuée en continu par le contrôleur).

Les appareils aussi bien de MOYENNE que de BASSE TEMPÉRATURE sont desservis par le même réservoir de liquide ; les compresseurs de l'appareil à BASSE TEMPÉRATURE déchargent en aspiration de ceux de l'appareil à MOYENNE TEMPÉRATURE, avec la présence conséquente d'un seul refroidisseur de gaz.

### 8.2 Description de la centrale frigorifique

Cette ligne de centrales frigorifiques est adaptée comme groupe frigorifique au service de la frigo-conservation commerciale. Elle utilise le fluide frigorigène R744 et opère en régime transcritique et sous-critique.

La STRUCTURE de l'embase et le châssis portant sont réalisés avec des profils en lasertube et en tôle galvanisée cintrée (assemblés avec des rivets structurels haute résistance ou avec des vis et des boulons), puis peints à la poudre époxy-polyester dans les couleurs RAL7016 et RAL7035 et montés sur des supports anti-vibration.

SUPPORTS ANTI-VIBRATION avec noyau central en caoutchouc, fixés d'origine à l'usine sur des logements spéciaux créés sur les longerons de la machine.

TUBES tubes en Cu R220 avec une pression maximale admissible de 30 bars, en CuFe K65 avec une pression maximale admissible de 120 bars et en AISI 304L avec une pression maximale admissible de 130 bars ("Fig. 7")

ISOLATION Isolation avec du matériau isolant flexible en élastomère extrudé et expansé (FEF) pour tous les composants de la ligne d'aspiration et liquide (19mm) et réservoir de liquide (32mm)

COMPRESSEURS de type semi-hermétique à pistons, équipés d'une résistance électrique sur le carter.

VARIATEUR DE FRÉQUENCE pour un réglage continu de la vitesse et par conséquent du débit du fluide frigorigène des compresseurs.

Model - Modello - Modèle Modell	<b>ECO2SMALL PLUS</b>	
Manufacturer - Fabbricante - Constructeur Hersteller	<b>Epta Spa</b> - Via Mecenate, 86 - 20138 Milano (MI) ITALIA Tel. 02/55403211 Telefax 02/55401023	

## User manual

EN

PRESSOSTATS DE SÉCURITÉ pour chaque compresseur des appareils de MOYENNE et BASSE TEMPÉRATURE et pour le compresseur du module ETE, conformément aux normes en vigueur dans chaque pays

IT

FR

DE

VANNE INJECTION GAZ CHAUD ET LIQUIDE pour la ligne d'aspiration des appareils de MOYENNE TEMPÉRATURE et de BASSE TEMPÉRATURE

VANNE TRANSCRITIQUE (HPV) avec filtre externe

VANNE BY-PASS FLASH GAS

RÉSERVOIR DE LIQUIDE de 110L avec une pression maximale admissible de 60 bar, INTÉGRÉ dans la centrale frigorifique

SYSTÈME DE L'HUILE EN HAUTE PRESSION comprenant le séparateur d'huile, la réserve, la soupape de sécurité et les régulateurs d'injection d'huile pour chaque compresseur

SOUPAPES DE SÉCURITÉ sur chaque ligne, INTÉGRÉES dans la centrale frigorifique ("Fig. 8")

FILTRES sur la ligne d'aspiration des appareils de MOYENNE et de BASSE TEMPÉRATURE et sur la ligne liquide

TABLEAU ÉLECTRIQUE (INTÉGRÉ dans la centrale frigorifique)

PRÉDISPOSITION DU SWITCHON PACK (Raccordement électrique INTÉGRÉ dans la centrale frigorifique, équipée des contrôleurs fournis Carel et Danfoss)

PRÉDISPOSITION DU SYSTÈME SMART (ICE)

BACKUP VENTILATEURS DU REFROIDISSEUR DE GAZ circuit électrique manuel pour le fonctionnement des ventilateurs du refroidisseur de gaz à la vitesse maximale

DOMAINE D'APPLICATION : activités commerciales moyennes-petites (discounts et supermarchés) avec des surfaces de vente de 800m<sup>2</sup> à 1.700m<sup>2</sup>

DOMAINE D'UTILISATION :

- appareil **BASSE TEMPÉRATURE** de 5,5kW à 23kW  
avec référence aux conditions suivantes :  
 $T_{\text{évaporation}} = -32^{\circ}\text{C}$ ,  $T_{\text{condensation}} = -8^{\circ}\text{C}$

- appareil **MOYENNE TEMPÉRATURE** de 35kW à 106kW  
avec référence aux conditions suivantes :  
 $T_{\text{évaporation}} = -8^{\circ}\text{C}$ ,  $T_{\text{refroidisseur de gaz}} = +40^{\circ}\text{C}$

PRESSIONS MAXIMALES ADMISSIBLES

- Refoulement 120 bars
- Aspiration appareil MOYENNE TEMPÉRATURE 45 bars / 53 bars / 60 bars
- Aspiration appareil BASSE TEMPÉRATURE 30 bars / 60 bars
- Ligne liquide 45 bars / 60 bars
- Réservoir de liquide 60 bars
- Aspiration module ETE 100 bars (option)

Les caractéristiques générales et les dimensions sont illustrées dans les figures et les vues en coupe indiquées au chapitre "Description générale" (de la page "8" à la page "13").

Model - Modello - Modèle Modell	<b>ECO2SMALL PLUS</b>	
Manufacturer - Fabbricante - Constructeur Hersteller	<b>Epta Spa</b> - Via Mecenate, 86 - 20138 Milano (MI) ITALIA Tel. 02/55403211 Telefax 02/55401023	

### 8.3 Transport et déplacement

La centrale frigorifique est contenue dans un emballage spécial muni de glissières de déplacement ou de palettes, selon les exigences de déplacement, et chargée sous pression avec de l'azote.



Avant de commencer les opérations de levage, vérifier que la centrale frigorifique est en équilibre stable et décharger la pression.

Pour le transport et le déplacement de la centrale frigorifique, utiliser :

- Un chariot élévateur adapté au levage de la centrale frigorifique, avec des caractéristiques appropriées conformément aux normes en vigueur ("Fig. 12")



Avant de commencer les opérations de levage, vérifier que les glissières sont solidement fixées à l'embase de la centrale frigorifique.

- Une grue adaptée au levage de la centrale frigorifique, avec des caractéristiques appropriées dans le respect des normes en vigueur ("Fig. 13")



Mettre en place les barres de levage dans les points marqués sur le châssis, en utilisant des entretoises pour protéger la centrale frigorifique contre tout dommage à la structure.



Avant de déplacer la centrale frigorifique, la soulever de ce qu'il faut pour retirer les glissières, puis compléter le levage.



Utiliser un palonnier de levage afin de ne pas endommager le tableau électrique, le châssis et le caisson (si présent).

Les poids de la centrale frigorifique (sans et avec emballage) et les dimensions de l'emballage sont indiqués dans les tableaux "Tab. I" et "Tab. III".

Les opérations de déplacement doivent être effectuées par des personnels qualifiés, en mesure d'évaluer les poids, les points de levage et les moyens les plus adaptés, tant en ce qui concerne la sécurité que la portée.



Ne faites pas de mouvements brusques ou d'impacts qui pourraient compromettre l'intégrité et la fonctionnalité des composants du groupe frigorifique.

### 8.4 Réception et stockage

Vérifier l'état de l'emballage avant d'accepter la livraison de la centrale frigorifique par le transporteur.

En cas de dommages évidents à l'emballage :

- Retirer l'emballage de la centrale frigorifique en présence du transporteur
- Signer sous réserve le bon de livraison

Le constructeur ne répond pas des dommages éventuellement dus au transport ou à un stockage erroné de la centrale frigorifique.



Si la centrale n'est pas équipée d'un caisson, elle doit être conservée dans un endroit à l'abri du soleil et des intempéries.



La centrale frigorifique est expédiée et livrée avec une charge d'azote sous pression dans le circuit frigorifique. Évacuer la pression avant de commencer les opérations de déplacement et d'installation.

Model - Modello - Modèle Modell	<b>ECO2SMALL PLUS</b>	
Manufacturer - Fabbricante - Constructeur Hersteller	<b>Epta Spa</b> - Via Mecenate, 86 - 20138 Milano (MI) ITALIA Tel. 02/55403211 Telefax 02/55401023	

## User manual

### 8.5 Installation et conditions ambiantes



La centrale frigorifique est expédiée et livrée avec une charge d'azote sous pression dans le circuit frigorifique. Évacuer la pression avant de commencer les opérations de déplacement et d'installation.

Pour que la centrale frigorifique fonctionne correctement, vérifier qu'elle est mise en place :

- Sur un sol nivelé ("Fig. 14").
- Loin de sources de chaleur et de risques d'incendie ("Fig. 15").



Choisir le lieu d'installation de la centrale frigorifique de manière à éviter à tout moment la condensation de l'humidité présente dans l'air.



Respecter les espaces fonctionnels nécessaires pour un fonctionnement correct et un entretien approprié ("Fig. 16").

Après avoir mis en place définitivement la centrale frigorifique, il faudra la fixer rigidement à la base en utilisant les trous de fixation sur les plinthes anti-vibration ("Fig. 17").

Les conditions de l'environnement dans lequel installer la centrale frigorifique sont indiquées dans "Conditions ambiantes" (tableau "Tab. IV").



Il est recommandé que les tuyaux de raccordement entre la centrale frigorifique et les autres composants du système soient installés de manière professionnelle.



Il convient d'accorder une attention particulière à assurer le retour de l'huile vers les compresseurs (par exemple, installation de siphons et vitesse minimale dans les canalisations).



Il convient de porter une attention particulière à limiter les pertes de charge le long des conduites d'aspiration (une bonne règle de base est de ne pas dépasser 1,5kPa).

Model - Modello - Modèle Modell	<b>ECO2SMALL PLUS</b>	
Manufacturer - Fabbricante - Constructeur Hersteller	<b>Epta Spa</b> - Via Mecenate, 86 - 20138 Milano (MI) ITALIA Tel. 02/55403211 Telefax 02/55401023	

## INSTALLATION DANS UNE SALLE TECHNIQUE

Pour une installation dans une salle technique ou dans une salle des machines, des entrées d'air spéciales sur les murs périmétraux ou des dispositifs aérauliques doivent assurer un débit d'air, conformément aux normes en vigueur, afin d'éviter toute concentration dangereuse de réfrigérant.

En particulier :

- le libre passage de l'air par les fenêtres, les grilles et les entrées d'air ou les conduites ne doit pas être entravé par des murs ou des barrières
- l'orifice de ventilation ne doit pas déboucher sur des ouvertures situées dans d'autres salles
- il faut tenir compte de la densité du fluide frigorigène
- les ventilateurs doivent pouvoir être actionnés aussi bien de l'extérieur que de l'intérieur
- dans le cas de salles des machines installées en sous-sol, l'interrupteur de commande de l'extérieur de la salle des machines spéciale doit être situé au rez-de-chaussée



En cas d'installation dans une salle technique, prévoir un détecteur de la concentration du R744 dans l'atmosphère, afin de fournir un signal d'alarme ou l'actionnement de systèmes de renouvellement d'air appropriés.



L'alarme du détecteur de la concentration du R744 doit être placée à l'extérieur de la salle technique, afin d'empêcher que le personnel autorisé n'entre dans le local lorsque l'alarme est encore active.

## INSTALLATION À L'EXTÉRIEUR

En cas d'installation à l'extérieur, l'emplacement final de la centrale frigorifique doit tenir compte de la nécessité de :

- réduire au minimum la pollution sonore produite (en installant la centrale frigorifique le plus loin possible des zones habitées et en évitant toute source possible de réflexion de l'onde sonore)
- placer la centrale frigorifique loin des matériaux inflammables, afin de réduire au minimum le risque d'incendie
- placer la centrale frigorifique loin de sources de chaleur en réduisant au minimum la possibilité de décharge du fluide frigorigène dans l'environnement

EN

IT

FR

DE

Model - Modello - Modèle Modell	<b>ECO2SMALL PLUS</b>	
Manufacturer - Fabbricante - Constructeur Hersteller	<b>Epta Spa</b> - Via Mecenate, 86 - 20138 Milano (MI) ITALIA Tel. 02/55403211 Telefax 02/55401023	

## User manual

### 8.6 Connexion électrique

Le tableau électrique de la centrale frigorifique est conçu pour des alimentations à 380V-400V/3ph/50Hz.

Pour la mise à la terre de la centrale frigorifique, un point de connexion composé d'une vis avec écrou et d'un repère avec un symbole de mise à la terre est prévu ("Fig. 18"), car l'équipotentialité de la structure métallique est garantie par un système d'assemblage spécial.

Il doit être alimenté par un câble d'une section adaptée à la puissance du groupe et en fonction des conditions de pose présentes sur le lieu d'installation.



Il est nécessaire et indispensable de raccorder la centrale frigorifique au système de mise à la terre du bâtiment.



L'installation électrique de la centrale frigorifique doit être réalisée conformément aux normes en vigueur dans chaque pays.

Il est également nécessaire de vérifier :

- le serrage à la boîte à bornes des câbles électriques qui ne possèdent pas de bornes à ressort (ex. câbles puissance moteur reliés au télérupteur), car durant le transport et le déplacement, les vibrations pourraient avoir provoqué leur desserrage.
- le câblage du tableau électrique, en s'assurant que les gaines des connexions ne sont pas au contact des tuyaux du fluide frigorigène ou contre le compresseur et qu'aucune usure due au frottement ne puisse avoir lieu tant par contact avec des surfaces à haute température que par formation de vapeur de condensation
- la présence de courant dans toutes les phases

La plaque du matricule apposée sur la machine indique, entre autres, la valeur du courant nominal maximal (A). Cette valeur ne tient pas compte de l'absorption des ventilateurs d'un éventuel refroidisseur de gaz.

#### ENTRÉE DES CÂBLES D'ALIMENTATION DANS LE TABLEAU ÉLECTRIQUE

L'entrée des câbles d'alimentation doit avoir lieu par le bas en utilisant la plaque positionnée sur le fond du tableau électrique (la plaque se trouve à droite et elle est accessible en ouvrant le tableau électrique). Pour maintenir le degré de protection du tableau électrique, utiliser des passe-câbles appropriés.



Durant l'opération de perçage pour le passage des câbles, prendre soin d'effectuer l'opération en évitant de faire pénétrer des copeaux métalliques à l'intérieur du tableau électrique : DANGER DE COURT-CIRCUIT



Tous les composants de la centrale frigorifique doivent être protégés contre toute possibilité de pénétration de l'eau. Dans les zones où l'eau se trouve à proximité immédiate, respecter la classe de protection IP des composants électriques.

### 8.7 Caractéristiques techniques

La plaque du matricule contient les caractéristiques techniques de la centrale frigorifique. Son emplacement et le type de données sont indiqués dans "Caractéristiques techniques" ("Fig. 19").



Model - Modello - Modèle Modell	<b>ECO2SMALL PLUS</b>	
Manufacturer - Fabbricante - Constructeur Hersteller	<b>Epta Spa</b> - Via Mecenate, 86 - 20138 Milano (MI) ITALIA Tel. 02/55403211 Telefax 02/55401023	

## 8.8 Accessoires et options

### Caisson

panneaux en tôle galvanisée à chaud, puis peints à la poudre époxy-polyester couleur RAL7035, fixés au châssis avec des rivets ou des vis ; panneau de couverture avec cintrage en "forme de diamant" pour éviter la stagnation de l'eau

### Toit anti-pluie

couverture en tôle partie frontale du tableau électrique

### Revêtement insonorisant pour le caisson

panneau composé d'une couche de fibres de polyester (épaisseur 25mm et densité 45kg/m<sup>3</sup>) et de caoutchouc (épaisseur 4mm et masse superficielle 8kg/m<sup>2</sup>)

### Module FTE

réservoir de liquide additionnel  
Disponible comme module À DISTANCE (à installer et à connecter sur place) ou INTÉGRÉ dans la centrale frigorifique

### Module ETE

module de sous-refroidissement INTÉGRÉ dans la centrale frigorifique  
Composants du module : compresseur dédié avec détendeur électronique, échangeur de chaleur à plaques, régulateur de capacité et vanne motorisée.



Pour éviter tout risque de piégeage de liquide dans la canalisation, le réglage d'usine du degré d'ouverture minimum du détendeur du module ETE ne doit pas être modifié.

### Tableau électrique du désurchauffeur d'air pour des appareils de BASSE TEMPÉRATURE

système de by-pass pour l'insertion du désurchauffeur dans la ligne de décharge des compresseurs pour des appareils de BASSE TEMPÉRATURE

Composants du module : by-pass mécanique, tableau électrique pour la gestion du désurchauffeur à air (À DISTANCE et fourni séparément par le client)

### Module de récupération de la chaleur

échangeur à plaques pour la récupération de chaleur sur la température de décharge des compresseurs pour les appareils de MOYENNE TEMPÉRATURE, par le biais d'un circuit hydraulique

Le module est fourni INTÉGRÉ dans la centrale frigorifique, avec des raccordements hydrauliques et de sécurité à effectuer sur place (fourni séparément par le client et réalisée conformément aux normes en vigueur dans chaque pays)



Prendre toutes les mesures nécessaires pour éviter que l'eau présente dans l'échangeur à plaques ne gèle.

### Économiseur

échangeur à plaques situé entre la ligne d'aspiration de l'appareil de MOYENNE TEMPÉRATURE et la ligne de retour du refroidisseur de gaz



L'économiseur ne peut pas être sélectionné en combinaison avec le Module ETE.

### Pressostat asservissement appareils

pressostat mécanique pour asservir les appareils du tableau électrique en cas de haute pression en aspiration

### Unité de back-up R744

groupe de refroidissement auxiliaire : il s'active en cas d'arrêt de l'installation pour maintenir constante la pression du réservoir de liquide  
Les raccordements électrique du module doivent être réalisés sur place (fourni séparément par le client et réalisée conformément aux normes en vigueur dans chaque pays)

### By-pass séparateur huile

système mécanique pour exclure le séparateur de l'huile

### Coup de poing

connecté électriquement selon le schéma de câblage

Model - Modello - Modèle Modell	<b>ECO2SMALL PLUS</b>	
Manufacturer - Fabbricante - Constructeur Hersteller	<b>Epta Spa</b> - Via Mecenate, 86 - 20138 Milano (MI) ITALIA Tel. 02/55403211 Telefax 02/55401023	

## User manual

### 8.9 Entretien et vérifications périodiques

Un contrôle constant de l'état de la machine et un entretien correct sont une assurance de fiabilité et de bon fonctionnement de toute l'installation au fil du temps.

En outre, il existe une série de vérifications que le personnel autorisé peut effectuer périodiquement. Il s'agit de simples contrôles visuels sur l'état des principaux composants de la centrale.

#### Périodicité de l'entretien



Les opérations d'entretien sont exclusivement réservées aux personnels autorisés.

#### APRÈS 15 JOURS DEPUIS LE DÉBUT effectuer

- la mesure de la pression de refoulement
- la détection de la pression d'aspiration
- la mesure de la tension d'alimentation
- la mesure de l'intensité du courant
- le remplacement des filtres déshydrateurs (filtres mécaniques sur la ligne d'aspiration, filtre solide sur la ligne liquide)
- la détection de la différence de pression entre le refoulement (manomètre) et la pression au refroidisseur de gaz lue par le contrôleur ( $Dp_{max} = 0,8\text{bar}$ )

#### APRÈS 1 MOIS DEPUIS LE DÉBUT effectuer

- remplacement du filtre séparateur huile
- surveillance de la différence de pression entre l'entrée (manomètre) et la sortie (prise de pression) du séparateur huile



Pour la valeur de la différence de pression à considérer entre l'entrée (manomètre) et la sortie (prise de pression) du séparateur d'huile, se référer à la documentation mise à disposition par le fournisseur.

#### UNE FOIS PAR MOIS effectuer

- le serrage des contacts électriques
- le serrage des raccords
- la vérification du niveau de l'huile des compresseurs
- la vérification du séparateur de l'huile
- la vérification de la réserve de l'huile
- le contrôle du voyant du liquide et de l'humidité

#### TOUS LES SIX MOIS effectuer

- le contrôle des filtres d'aspiration

#### UNE FOIS PAR AN effectuer

- la vérification de tous les filtres et le remplacement de celui de la ligne liquide
- la vérification de fixation et connexions électriques



Si nécessaire, coupez au préalable l'alimentation électrique de la central de production de froid pour procéder à l'intervention.



Faites attention aux pièces chaudes.

Model - Modello - Modèle Modell	<b>ECO2SMALL PLUS</b>	
Manufacturer - Fabbricante - Constructeur Hersteller	<b>Epta Spa</b> - Via Mecenate, 86 - 20138 Milano (MI) ITALIA Tel. 02/55403211 Telefax 02/55401023	

## Entretien de l'installation

### REPLACEMENT DES FILTRES

Une perte de charge excessive à travers les filtres d'aspiration est l'indice d'un encrassement de la cartouche mécanique microfiltrante à cause d'impuretés résiduelles dans l'installation. Par conséquent, les cartouches doivent être remplacées.

Avant de remplacer les filtres, il est nécessaire d'isoler et de décharger la section concernée de la centrale frigorifique, en intervenant de la manière suivante :

- fermer le robinet en amont (alimentation du fluide frigorigène) du circuit à sectionner
- attendre 5-10 minutes pour permettre au fluide frigorigène présent dans le circuit d'évaporer par l'effet de l'aspiration des compresseurs
- fermer aussi le robinet en aval de l'appareil
- ouvrir lentement le robinet d'écoulement avant d'intervenir sur le circuit



Si le robinet d'écoulement n'est pas ouvert, la pression qui pourrait se créer par évaporation de petites parties de fluide frigorigène (à cause de l'augmentation de la température ambiante) se décharge par les soupapes de sécurité reliées au circuit sectionné.



Avant de rouvrir les robinets, dans la procédure de charge du fluide frigorigène, il est nécessaire d'effectuer le vide au circuit en reliant la pompe au robinet d'écoulement.

### REPLACEMENT DE LA SOUPEPE DE SÉCURITÉ

Il est conseillé de remplacer la soupape de sécurité au cas où celle-ci serait intervenue. Durant l'échappement, l'accumulation sur l'élément d'étanchéité de résidus d'usinage des composants et des tuyaux peut rendre leur étanchéité défaillante en rétro-fermeture, avec un risque de fuite de fluide frigorigène pendant le fonctionnement normal de la machine.



Avant de remplacer la vanne de manoeuvre, vérifier que l'installation n'est pas sous pression ou à une température élevée.

### APPOINT DE L'HUILE



Utiliser exclusivement de l'huile POE BSE85K.

Pour une gestion correcte du système d'huile, faire référence au document suivant :

- SE-TS050\_120bar oil system management



Lors des appoints d'huile éventuels, à cause de sa forte hygroscopicité, limiter le temps d'ouverture du circuit et des conteneurs de l'huile au strict nécessaire pour effectuer l'opération.

Model - Modello - Modèle Modell	<b>ECO2SMALL PLUS</b>	
Manufacturer - Fabbricante - Constructeur Hersteller	<b>Epta Spa</b> - Via Mecenate, 86 - 20138 Milano (MI) ITALIA Tel. 02/55403211 Telefax 02/55401023	

## User manual

### SÉCURITÉ DE SERVICE - VANNES DE SERVICE

L'entretien des sections de tuyau ou des composants sous pression doit être effectué en sécurité.

Si la vanne de service est présente, elle est normalement installée sur la prise de pression du robinet à angle.

Lorsque ce type de robinet à angle est ouvert, la prise de pression est isolée du reste du circuit, alors que lorsqu'on ferme le robinet à angle, la prise de pression (et par conséquent la vanne de service) est mise en communication avec le fluide

Les vannes de service sont installées à proximité du circuit à exclure et, compte tenu de la présence réduite de dioxyde de carbone dans la section concernée, elles peuvent décharger dans un environnement intérieur.

Durant le fonctionnement, dans les points où des soupapes de sécurité sont installées, le robinet à angle doit être ouvert.

En l'absence de vannes de service, le technicien devra raccorder à une des deux prises de pression prévues pour l'évacuation un accessoire de sécurité ou un manomètre permettant de surveiller la pression, afin de vérifier que l'évacuation du fluide frigorigène a été effectuée correctement.

### Contrôles périodiques à la centrale frigorifique

Pour un bon fonctionnement de la centrale frigorifique au fil du temps, il est conseillé d'effectuer les contrôles périodiques suivants :

- vérifier l'intégrité structurelle de la machine
- vérifier les parties oxydées (retirer la rouille éventuellement présente : en vérifier l'origine et, s'il y a lieu, procéder à une opération de remise en état)
- vérifier la présence de fuites (des taches d'huile anormales sur le sol, une formation de condensation à cause d'isolations endommagées, des fuites des tuyaux, par exemple des raccords à un échangeur à eau, rendent nécessaire une intervention immédiate du service après-vente agréé)
- vérifier l'intégrité de la ligne d'alimentation électrique (le cordon d'alimentation de la centrale frigorifique au secteur ne doit présenter aucune rupture, effilochage ou anomalie pouvant compromettre son isolation)



Après l'installation de la centrale frigorifique, aucun différentiel ne doit être monté en amont de l'alimentation.

- Vérifier le serrage correct des vis des robinets de refoulement des compresseurs (centrale frigorifique opérant en régime transcritique)
- Vérifier la présence et la fixation correcte des colliers sur les tubes
- Vérifier l'état des filtres

Model - Modello - Modèle Modell	<b>ECO2SMALL PLUS</b>	
Manufacturer - Fabbricante - Constructeur Hersteller	<b>Epta Spa</b> - Via Mecenate, 86 - 20138 Milano (MI) ITALIA Tel. 02/55403211 Telefax 02/55401023	

## 8.10 Situations d'urgence

### Une augmentation incontrôlée de la pression est apparue dans les circuits de HAUTE PRESSION:

- Vérifier l'absence de pannes dans les organes de réglage.
- Vérifier que le fluide secondaire dans le condenseur et dans le refroidisseur de gaz n'a pas subi une augmentation de température pendant le fonctionnement des compresseurs.
- Vérifier qu'il n'y a pas un arrêt prolongé des compresseurs.
- Vérifier qu'il n'y a pas un débit insuffisant ou haute température du fluide secondaire d'échange durant le fonctionnement des compresseurs.
- Exclure la présence d'une source de chaleur sur les côtés du circuit de HAUTE PRESSION.

### Une augmentation incontrôlée de la pression est apparue dans les circuits de BASSE PRESSION:

- Vérifier qu'il n'y a pas un arrêt prolongé des compresseurs.
- Exclure la présence d'une source de chaleur sur les côtés du circuit de BASSE PRESSION.

### Une fuite de fluide frigorigène sous pression s'est vérifiée:

- Vérifier tout actionnement récent des vannes de l'installation.
- Vérifier tout démontage éventuel récent des composants de l'installation.

### On constate des modifications des valeurs de réglage ou des exclusions des circuits électriques de contrôle, de commande et de sécurité de l'installation :

- Vérifier toute intervention récente éventuelle sur les tableaux électriques et sur les organes actionneurs de la part du personnel autorisé.

### Il y a eu une fuite du fluide frigorigène du système et une inhibition simultanée de la soupape de sécurité du circuit de HAUTE PRESSION :

- Vérifier la fermeture éventuelle des robinets de refoulement des compresseurs sur le circuit de HAUTE PRESSION et sur le condenseur/refroidisseur de gaz de la part du personnel autorisé.

### Il y a eu une fuite du liquide frigorigène du système et une inhibition des dispositifs de sécurité :

- Vérifier tout remplacement récent des composants sur les tableaux électriques de la part du personnel autorisé.

### On constate des contraintes sur les tuyaux et les joints de l'installation :

- Vérifier qu'à la suite de la dilatation thermique les sections rectilignes longues ne se sont pas allongées et contractées.
- Vérifier qu'à cause du manque de supports anti-vibration sur la centrale frigorifique, les vibrations émises par la centrale ne créent pas de contraintes.
- Vérifier qu'aucun composant de l'installation n'a été déplacé.

### La défaillance d'un composant de l'installation s'est produite :

- Vérifier que les HAUTES ou les BASSES TEMPÉRATURES n'ont pas fragilisé ou réduit la résistance des matériaux des composants de l'installation.
- Vérifier l'absence de vibrations anormales.
- Vérifier que les vis et les colliers des tuyaux sont correctement serrés, ce qui exclut le déclenchement des pressostats de sécurité sur les compresseurs de l'appareil de MOYENNE TEMPÉRATURE

Model - Modello - Modèle Modell	<b>ECO2SMALL PLUS</b>	
Manufacturer - Fabbricante - Constructeur Hersteller	<b>Epta Spa</b> - Via Mecenate, 86 - 20138 Milano (MI) ITALIA Tel. 02/55403211 Telefax 02/55401023	

EN

### Une décharge de surpression dangereuse est apparue dans l'installation:

IT

FR

DE

- Vérifier que les dispositifs de sécurité, si à distance, sont installés dans une position appropriée.
- vérifier que le tuyau ne pourra pas être obstrué par des agents atmosphériques et que l'évacuation a lieu loin des personnes ou des objets.
- Vérifier que l'échappement des soupapes de sécurité est libre et ne donne pas lieu à la formation de glace sèche qui pourrait obstruer l'écoulement.

### Des zones d'abrasion se créent sur les points de contact entre les tuyaux et les points d'appui :

- Vérifier qu'un matériau de faible dureté est intercalé entre les tuyaux et les points d'appui.

Si les situations d'urgence précédentes ne dépendent pas des motifs énumérés, contactez le service après-vente agréé le plus proche.

## 8.11 Service après-vente

En cas de nécessité d'intervention de techniciens du service après-vente, contactez immédiatement le fournisseur chez qui vous avez acheté la centrale frigorifique.

En cas de nécessité d'utiliser des pièces de rechange, toujours contacter le service après-vente: demandez et assurez-vous que les pièces de rechange fournies sont d'origine.

## 8.12 Démantèlement et élimination

Conformément aux normes en matière d'élimination des déchets en vigueur dans les différents pays et pour le respect de l'environnement où nous vivons, la centrale frigorifique ou ses parties doivent être éliminées de manière opportune.

Toutes les parties qui composent la centrale frigorifique ne sont pas assimilables à des déchets solides urbains, exception faite des parties métalliques qui ne figurent d'ailleurs pas parmi les déchets spéciaux dans la plupart des pays européens.

Ne jamais couper ou séparer les composants du circuit de réfrigération avant d'avoir vidangé le circuit et avoir fait récupérer le réfrigérant par des personnels qualifiés.

L'huile contenue dans les compresseurs doit être opportunément récupérée par le personnel qualifié.

Model - Modello - Modèle Modell	<b>ECO2SMALL PLUS</b>	
Manufacturer - Fabbricante - Constructeur Hersteller	<b>Epta Spa</b> - Via Mecenate, 86 - 20138 Milano (MI) ITALIA Tel. 02/55403211 Telefax 02/55401023	

## 9. AVERTISSEMENTS GÉNÉRAUX SUPPLÉMENTAIRES

### Instructions pour une installation et un entretien corrects

Les instructions pour l'utilisation et l'entretien sont indiquées dans le Manuel de l'utilisateur disponible aux sites :

[www.costan.com](http://www.costan.com) et [www.bonnetneve.com](http://www.bonnetneve.com).

Des instructions d'installation pour le personnel expérimenté sont disponibles:

- Après de notre réseau après-vente
- Dans certaines catégories de produits, sous forme papier, livrées avec le produit

### Services professionnels de réparation.

Les services sont fournis par notre réseau après-vente qui peut être consulté dans l'espace Contacts à l'adresse web [www.eptarefrigeration.com](http://www.eptarefrigeration.com).

### Pièces de rechange

Les pièces de rechange et les informations pour la réparation de l'appareil sont disponibles pendant au moins 8 ans après la mise hors production du produit à l'adresse web suivante: [www.epta-service.com/service](http://www.epta-service.com/service).

Les identifiants d'accès sont fournis en adressant une demande par e-mail à: [servicesupport@eptarefrigeration.com](mailto:servicesupport@eptarefrigeration.com).

### Conditions ambiantes

Cet appareil est destiné à fonctionner dans des environnements où la température et l'humidité se situent dans les limites indiquées dans le manuel d'utilisation.

### Instructions pour le désassemblage

Pour le désassemblage, veuillez vous adresser à des opérateurs professionnels.

Portant depuis toujours une attention particulière à l'environnement, le Groupe Epta met à la disposition des utilisateurs des manuels de démantèlement et de traitement des déchets, pouvant être téléchargés ci-dessous.

Le manuel de démantèlement est disponible sur le site:

[www.eptarefrigeration.com](http://www.eptarefrigeration.com).

### Limites d'application



Cette centrale frigorifique a été conçue pour l'utilisation, le transport et le stockage jusqu'à une altitude maximum de 1000m au-dessus du niveau de la mer.

#### Stockage:

- Température comprise entre -20°C et 45°C

#### Transport:

- Température comprise entre -20°C et 45°C

#### Installation:

- Température comprise entre 0°C et 45°C

#### Utilisation:

- Température comprise entre 0°C et 45°C

Les performances de la chambre froid ne sont pas garanties hors de son utilisation normale.

Pour la gestion correcte des limites de fonctionnement des composants installés à bord du centrale frigorifique, se référer à la documentation mise à disposition par les fournisseurs concernés.

Model - Modello - Modèle Modell	<b>ECO2SMALL PLUS</b>	
Manufacturer - Fabbricante - Constructeur Hersteller	<b>Epta Spa</b> - Via Mecenate, 86 - 20138 Milano (MI) ITALIA Tel. 02/55403211 Telefax 02/55401023	

## 10. DIRECTIVES ET RÈGLEMENTS DE RÉFÉRENCE

DIRECTIVE EUROPÉENNE	RÉGLEMENTATION EUROPÉENNE	DIRECTIVE UK	RÉGLEMENTATION UK
Directive 2014/35/UE relative à l'harmonisation des législations des États membres concernant la mise à disposition sur le marché du matériel électrique destiné à être employé dans certaines limites de tension	EN 61439-1	Electrical Equipment ( Safety ) Low Voltage Regulations	BS EN IEC 61439-1
Directive 2014/30/UE relative à l'harmonisation des législations des États membres concernant la compatibilité électromagnétique	EN 61000-6-1	EMC Regulations	BS EN IEC 61000-6-1
Directive 2013/35/UE concernant les prescriptions minimales de sécurité et de santé relatives à l'exposition des travailleurs aux risques dus aux agents physiques ( champs électromagnétiques )	-	The Control of Electromagnetic Fields	-
Directive 2014/68/UE relative à l'harmonisation des législations des États membres concernant la mise à disposition sur le marché des équipements sous pression	EN 14276-1	Pressure Equipment ( Safety )	-
	EN 14276-2		-
Directive 2006/42/CE relative aux machines	EN 60204-1	Supply of Machinery ( Safety )	BS EN 60204-1
	EN 378-1		BS EN 378-1
	EN 378-2		BS EN 378-2
	EN 378-3		BS EN 378-3
	EN 378-4 + A1		BS EN 378-4 + A1
	EN ISO 13849-1		BS EN ISO 13849-1
	EN ISO 13849-2		BS EN 12102
	EN ISO 4871		BS EN ISO 4871
	ISO 9614-3		BS EN ISO 9614-3
	EN 614-2		BS EN 614-2 + A1
EN ISO 12100	-		



Model - Modello - Modèle Modell	<b>ECO2SMALL PLUS</b>	
Manufacturer - Fabbricante - Constructeur Hersteller	<b>Epta Spa</b> - Via Mecenate, 86 - 20138 Milano (MI) ITALIA Tel. 02/55403211 Telefax 02/55401023	

DIRECTIVE EUROPÉENNE	RÉGLEMENTATION EUROPÉENNE	DIRECTIVE UK	RÉGLEMENTATION UK
Règlement (UE) 2024/590 relatif à des substances qui appauvrissent la couche d'ozone Règlement (CE) n° 1005/2009 relatif à des substances qui appauvrissent la couche d'ozone	-	The Ozone-Depleting Substances and Fluorinated Gases (Amendment etc)	-
Règlement (UE) 2024/573 relatif aux gaz à effet de serre fluorés	-	Fluorinated gas (F gas): guidance for users, producers and traders F-Gas on fluorinated greenhouse gases	-
Règlement (UE) 2023/66 modifiant le règlement (UE) 2021/821 du Parlement européen et du Conseil en ce qui concerne la liste des biens à double usage	-	The Trade in Torture etc. Goods (Amendment)	-
-	ISO 14040 – 14043	-	BS EN ISO 14040 + A1



Les directives/règlements se réfèrent à l'année de publication la plus récente

Model - Modello - Modèle Modell	<b>ECO2SMALL PLUS</b>	
Manufacturer - Fabbricante - Constructeur Hersteller	<b>Epta Spa</b> - Via Mecenate, 86 - 20138 Milano (MI) ITALIA Tel. 02/55403211 Telefax 02/55401023	

User manual

**EN**

**IT**

**FR**

**DE**

Model - Modello - Modèle Modell	<b>ECO2SMALL PLUS</b>	
Manufacturer - Fabbricante - Constructeur Hersteller	<b>Epta Spa</b> - Via Mecenate, 86 - 20138 Milano (MI) ITALIA Tel. 02/55403211 Telefax 02/55401023	

**VERZEICHNIS**

<b>1. Einführung</b>	<b>4</b>
<b>2. Sicherheitshinweise</b>	<b>5</b>
2.1 Allgemeine Hinweise	5
2.2 Warnhinweise für die Wartung der Kälteanlage	6
2.3 Elektrische Warnhinweise	6
2.4 Verbote	7
<b>3. Allgemeine Beschreibung</b>	<b>8</b>
3.1 Schnittbilder	12
<b>4. Transport der Kälteanlage</b>	<b>14</b>
<b>5. Umgebungsbedingungen</b>	<b>15</b>
<b>6. Elektrischer Anschluss</b>	<b>17</b>
<b>7. Technische Eigenschaften</b>	<b>18</b>
<b>8. Hinweise für den Nutzer</b>	<b>19</b>
8.1 Das Kältemittel R744 im transkritischen Kreislauf	19
8.2 Beschreibung der Kälteanlage	19
8.3 Transport und Bewegung des Kühlmöbels	21
8.4 Empfang und Lagerung des Möbels	21
8.5 Installation und Umgebungsbedingungen	22
8.6 Elektrischer Anschluss	24
8.7 Technische Eigenschaften	24
8.8 Zubehör und Optionen	25
8.9 Wartung und periodische Kontrolle	26
8.10 Gefahrensituationen	29
8.11 Technischer Wartungsdienst	30
8.12 Demontage und Entsorgung	30
<b>9. Allgemeine ergänzende Hinweise</b>	<b>31</b>
<b>10. Referenzrichtlinien und Verordnungen</b>	<b>32</b>

**VERWENDETE SYMBOLE**

Symbol für ein Verbot: Verbietet bestimmte Handlungen.



Gefahrensymbol: Regeln zur Unfallvermeidung für den Benutzer.



Warnsymbol: Es besteht die Möglichkeit einer Beschädigung der Kälteanlage und/oder ihrer Bestandteile.



Symbol für einen Hinweis: Es folgen nützliche Informationen.

Model - Modello - Modèle Modell	<b>ECO2SMALL PLUS</b>	
Manufacturer - Fabbricante - Constructeur Hersteller	<b>Epta Spa</b> - Via Mecenate, 86 - 20138 Milano (MI) ITALIA Tel. 02/55403211 Telefax 02/55401023	

## 1. EINFÜHRUNG

Es wird empfohlen, den Inhalt dieses Benutzerhandbuchs sorgfältig zu lesen und es zusammen mit der Kälteanlage aufzubewahren. Der Hersteller lehnt jede Haftung für Personen- oder Sachschäden ab, die durch Nichtbeachtung der in diesem Handbuch enthaltenen Warnhinweise entstehen.



Dieses Benutzerhandbuch enthält Informationen, die für den ordnungsgemäßen Gebrauch und Betrieb der Kälteanlage notwendig sind.

Es enthält die folgenden Erläuterungen und Informationen:

- eine Funktionsbeschreibung der Kälteanlage und aller ihrer Teile
- Informationen über die Sicherheit der Kälteanlage und die zu beachtenden Unfallverhütungsvorschriften
- die korrekte Benutzung der Kälteanlage
- Hinweise für die korrekte, routinemäßige und planmäßige Wartung, einschließlich der Reinigungsarbeiten

Dieses Benutzerhandbuch bezieht sich auf die Kälteanlage in ihren verschiedenen Teilen (aufgeteilt und in separaten Packstücken versandt):

- Kühlanlage
- elektrische Anlage (einschließlich Schalttafel)
- Hydraulik (einschließlich Zusatzmodule)

Die folgenden Informationen sind nicht im Handbuch enthalten:

- Installationsanleitungen

Für die korrekte Installation der Kälteanlage lesen Sie bitte die folgenden Dokumente:

- Quick Reference Instructions

Das vorliegende Handbuch richtet sich an die folgenden Berufsgruppen:

- **QUALIFIZIERTER BEDIENER:** Qualifizierte Person, die in der Bedienung, Einstellung, Reinigung und routinemäßigen Wartung der Kälteanlage geschult ist
- **SPEZIALISIERTER TECHNIKER:** Techniker, der von der im Vertrag angegebenen Stelle (Hersteller/Händler/Vertreiber) geschult und autorisiert ist, folgende Arbeiten auszuführen: Installation, außerordentliche Wartung, Reparatur, Austausch und Überholung der Kälteanlage

Die Bedienungsanleitung ist auch unter verfügbar:


[www.eptarefrigeration.com](http://www.eptarefrigeration.com).


**Bezüglich der Vorschriften und der Zertifizierung der Kälteanlage wird auf die Konformitätserklärung verwiesen.**


Model - Modello - Modèle Modell	<b>ECO2SMALL PLUS</b>	
Manufacturer - Fabbricante - Constructeur Hersteller	<b>Epta Spa</b> - Via Mecenate, 86 - 20138 Milano (MI) ITALIA Tel. 02/55403211 Telefax 02/55401023	


## 2. SICHERHEITSHINWEISE


### 2.1 Allgemeine Hinweise


 Der Hersteller lehnt jede Verantwortung für Personen- oder Sachschäden ab, die durch Nichtbeachtung der Warnhinweise in diesem Handbuch entstehen. Jede Person, die diese Kälteanlage benutzt, muss dieses Benutzerhandbuch lesen.


 Der Arbeitgeber muss das Personal über die folgenden geltenden Vorschriften informieren: Über die Unfallgefahren, über die bestehenden Sicherheitsvorrichtungen für das Personal, über die Gefahren von Lärmemissionen und die allgemeinen Unfallverhütungsvorschriften.


 Die Kälteanlage darf nur von Erwachsenen benutzt werden, die über die erforderlichen Kenntnisse verfügen und deren körperliche, sensorische oder geistige Fähigkeiten nicht beeinträchtigt sind; die Kälteanlage ist nicht für den Gebrauch durch Minderjährige (insbesondere 0 bis 3 Jahre alt) bestimmt. Kinder dürfen auch unter der Aufsicht und Verantwortung von Erwachsenen nicht mit der Kälteanlage spielen.


 Jede andere nicht ausdrücklich in diesem Handbuch angegebene Verwendungen gelten als gefährlich. Soit kann der Hersteller nicht für Schäden haftbar gemacht werden, die durch falschen Anschluss, fehlerhafte oder nicht bestimmungsgemäße Verwendung verursacht wurden.


 Die Kälteanlage darf nur von Personen mit entsprechender persönlicher Schutzausrüstung benutzt werden.


 Das Tragen von Handschuhen ist Vorschrift.


 Lassen Sie die Kälteanlage nicht ungeschützt der Witterung ausgesetzt.


 Verwenden Sie keinen direkten oder indirekten Wasserstrahl auf der Kälteanlage.


 Das Entfernen von Schutzvorrichtungen oder von Teilen der Verkleidung, für das der Einsatz von Werkzeug erforderlich ist, ist ausschließlich qualifiziertem Personal vorbehalten.

 Wenden Sie sich bitte an das nächstgelegene autorisierte Servicezentrum, um spezielle Zusatzausstattungen montieren zu lassen.

 Jegliche Eingriffe dürfen nur von qualifiziertem Personal vorgenommen werden, und in jedem Fall muss die Stromzufuhr zur Kälteanlage vor jedem Eingriff unterbrochen werden.

 Achten Sie auf warme oder bewegliche Geräteteile. Diese sind mit einem entsprechenden Symbol gekennzeichnet.

 Verwenden Sie im Falle eines Brandes ausschließlich Trockenlöschgeräte, verwenden Sie kein Wasser zum Löschen der Flammen.


 Beschädigen Sie nicht den Kühlkreislauf.


Model - Modello - Modèle Modell	<b>ECO2SMALL PLUS</b>	
Manufacturer - Fabbricante - Constructeur Hersteller	<b>Epta Spa</b> - Via Mecenate, 86 - 20138 Milano (MI) ITALIA Tel. 02/55403211 Telefax 02/55401023	


## User manual


EN


### 2.2 Warnhinweise für die Wartung der Kälteanlage

 Wartungsarbeiten dürfen ausschließlich von befugtem Personal durchgeführt werden.

 Der Zugriff auf die elektrischen Komponenten und/oder auf Teile, die den Einsatz von Werkzeug erfordern, ist qualifizierten Technikern vorbehalten.

 Vor jeder Wartung ist die Stromzufuhr zur Schalttafel zu unterbrechen.

 Achten Sie auf warme oder bewegliche Geräteteile. Diese sind mit einem entsprechenden Symbol gekennzeichnet.


 Das Tragen von Handschuhen ist Vorschrift.

IT


FR


DE


### 2.3 Elektrische Warnhinweise

 Vergewissern Sie sich, dass die Versorgungsspannung mit den Angaben auf dem Typenschild der Kälteanlage übereinstimmt.

 Die Elektroinstallation muss von fachkundigen Technikern fachgerecht ausgeführt werden.


 Die Abdeckung der Schalttafel darf nur durch qualifizierte Techniker entfernt werden.


 Die Installation der Kälteanlage muss gemäß den Anweisungen des Herstellers, von fachlich qualifiziertem Personal und unter Einhaltung der in jedem Land geltenden Vorschriften für die Elektroinstallation durchgeführt werden.


 Eine unsachgemäße Installation der Kälteanlage kann zu Schäden an Personen, Tieren oder Sachen führen, für die der Hersteller nicht haftbar gemacht werden kann.


Model - Modello - Modèle Modell	<b>ECO2SMALL PLUS</b>	
Manufacturer - Fabbricante - Constructeur Hersteller	<b>Epta Spa</b> - Via Mecenate, 86 - 20138 Milano (MI) ITALIA Tel. 02/55403211 Telefax 02/55401023	


## 2.4 Verbote


 Es ist verboten, die Kälteanlage für einen anderen Zweck als die Installation in Kompressionskältekreisläufen, die mit Kältemitteln betrieben werden, zu verwenden (z.B. als Wasser- oder Luftpumpe oder als Gerät zur Entsorgung von Kältemitteln oder anderes).


 Es ist verboten, die Kälteanlage in anderen Anlagen als solchen mit Kompressionskältekreisläufen, die mit Kältemitteln arbeiten, zu installieren


 Es ist verboten, für den Betrieb der Kälteanlage nicht zugelassene **K ä l t e m i t t e l**, Wärmeübertragungsflüssigkeiten oder Schmiermittel zu verwenden.


 Das Entfernen der Schalttafelabdeckung oder das Öffnen von Abdeckungen, die den Einsatz von Werkzeug erfordern, ist für nicht qualifiziertes Personal verboten.


 Es ist verboten die Kälteanlage in geschlossenen Räumen und technischen Räumen aufzustellen, in denen explosive gasförmige Stoffe vorhanden sind.

 Es ist verboten, das Typenschild der Kälteanlage zu entfernen.

 Es ist verboten, auf die Kälteanlage zu klettern.

 Es ist verboten, Bestandteile auszutauschen und/oder die Kälteanlage entgegen den Herstellervorgaben zu ändern sowie Originalersatzteile durch nicht vom Hersteller genehmigte Teile zu ersetzen, da dies zum Verlust der Garantie führt.

 Es ist verboten, die elektrische Schalttafel ohne die Genehmigung des Herstellers zu verändern.

 Es ist verboten, unbefugtem Personal den Zugang zum technischen Raum, in dem die Kälteanlage installiert ist, und zu den umliegenden Bereichen zu ermöglichen.

EN

IT

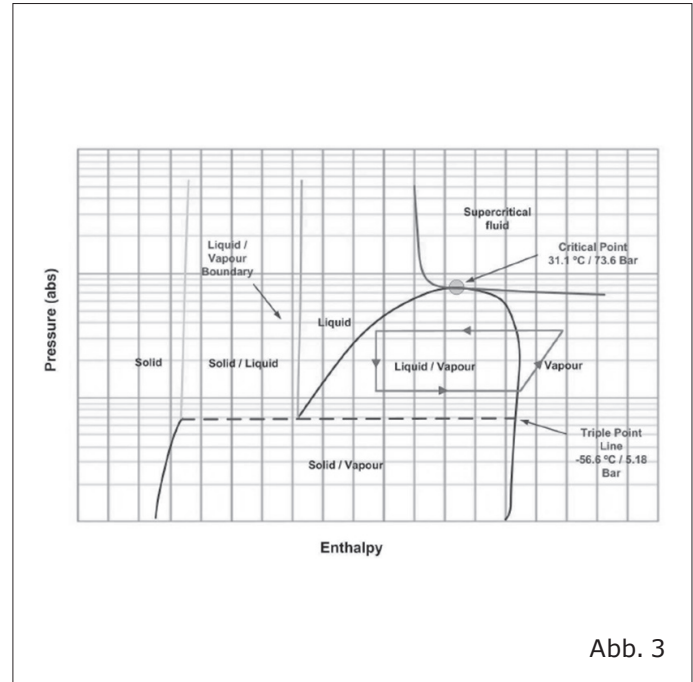
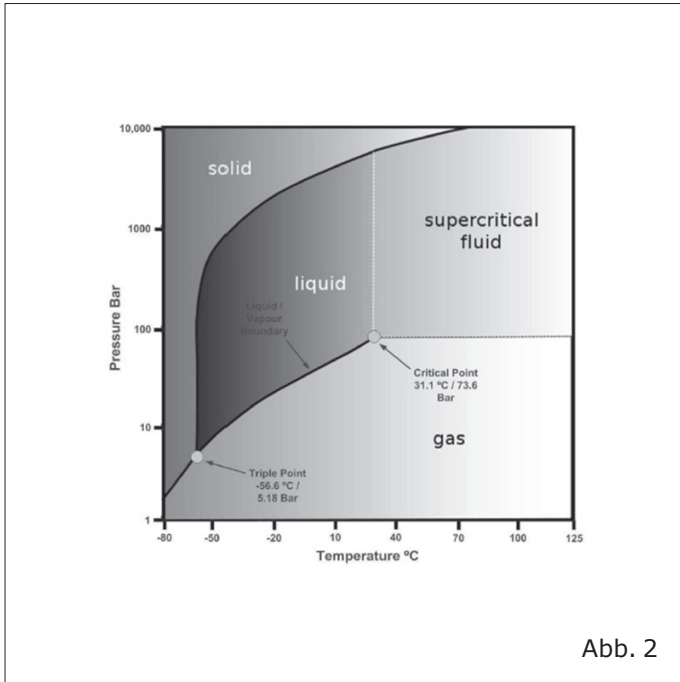
FR

DE

Model - Modello - Modèle Modell	<b>ECO2SMALL PLUS</b>	
Manufacturer - Fabbricante - Constructeur Hersteller	<b>Epta Spa</b> - Via Mecenate, 86 - 20138 Milano (MI) ITALIA Tel. 02/55403211 Telefax 02/55401023	

- EN
- IT
- FR
- DE

### 3. ALLGEMEINE BESCHREIBUNG



Kältemittel	DREIFACH-PUNKT		KRITISCHER PUNKT	
	Temperatur [°C]	Druck [bar]	Temperatur [°C]	Druck [bar]
R744	-56.6	5.18	31.1	73.6



Model - Modello - Modèle  
Modell

## ECO2SMALL PLUS



Manufacturer - Fabbricante - Constructeur  
Hersteller

Epta Spa - Via Mecenate, 86 - 20138 Milano (MI) ITALIA  
Tel. 02/55403211 Telefax 02/55401023

User manual

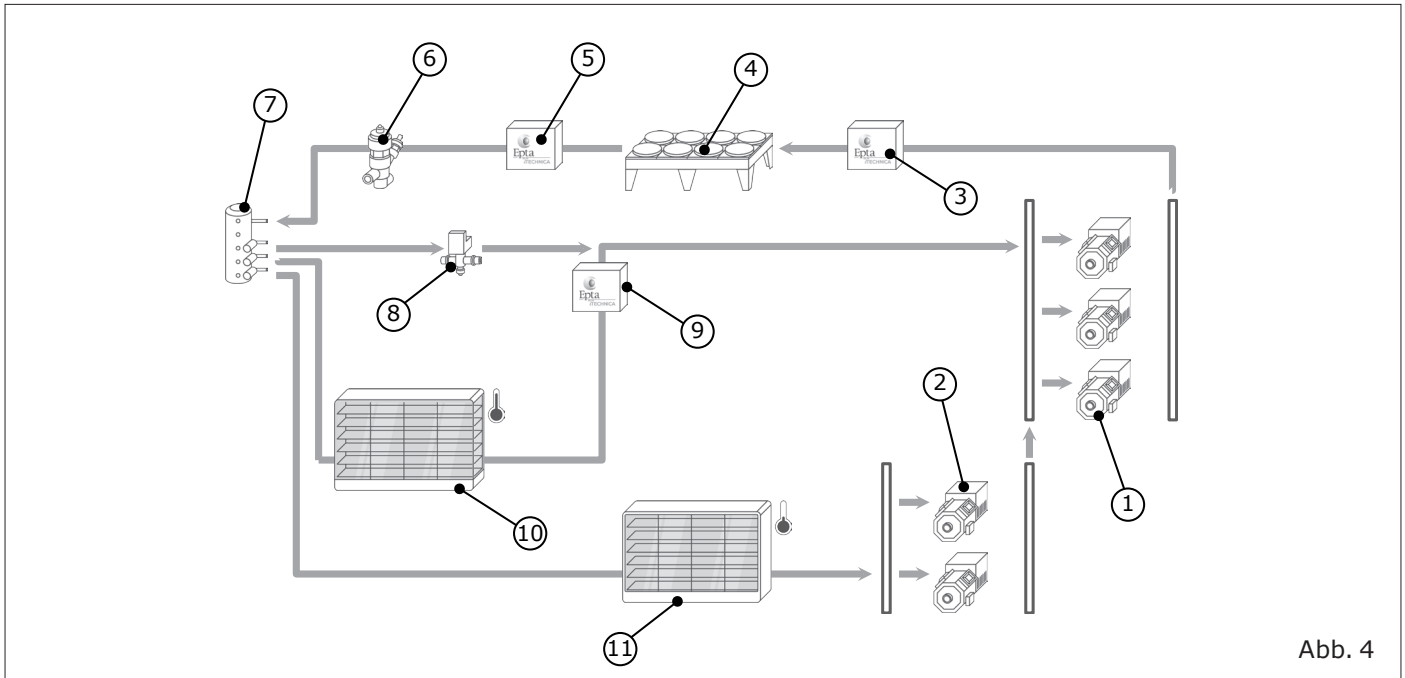


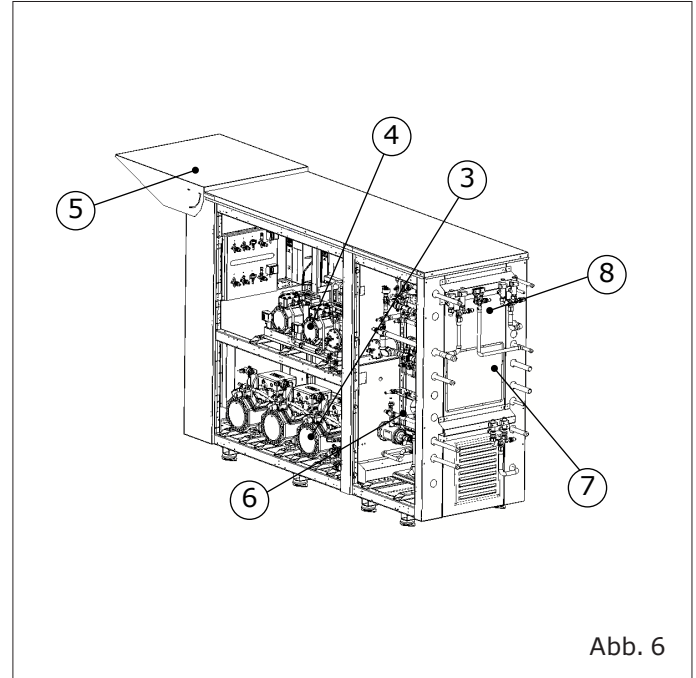
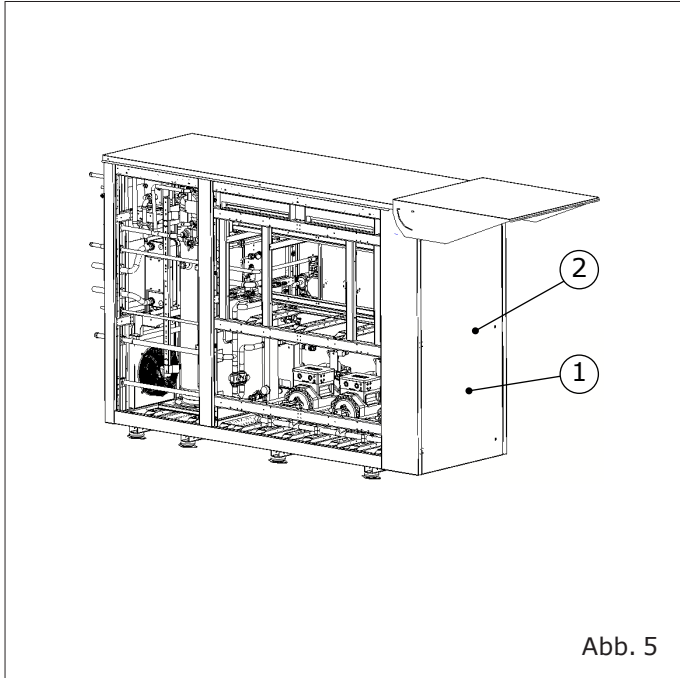
Abb. 4

1. Verdichter MITTLERE TEMPERATUR
2. Kompressoren NIEDRIGE TEMPERATUR
3. Wärmerückgewinnungsmodul
4. Gaskühler
5. Modul ETE
6. Transkritischen ventil (HPV)
7. Flüssigkeitsbehälter
8. By-pass Gasflaschenventil
9. Modul FTE
10. Benutzung MITTEL-TEMPERATUR
11. Benutzung NIEDRIGER TEMPERATUR

Model - Modello - Modèle Modell	<b>ECO2SMALL PLUS</b>	
Manufacturer - Fabbricante - Constructeur Hersteller	<b>Epta Spa</b> - Via Mecenate, 86 - 20138 Milano (MI) ITALIA Tel. 02/55403211 Telefax 02/55401023	

## User manual

EN  
IT  
FR  
DE



1. Typenschild
2. Schaltschrankgehäuse
3. Verdichter MITTLERE TEMPERATUR
4. Kompressoren NIEDRIGE TEMPERATUR
5. Regendach (optional)
6. Flüssigkeitsbehälter
7. Anschlüsse des Flüssigkeitsbehälters, Ansaugung,  
Rücklauf des Gaskühlers, Wasser für  
Wärmerückgewinnung, FTE
8. Sicherheitsventile

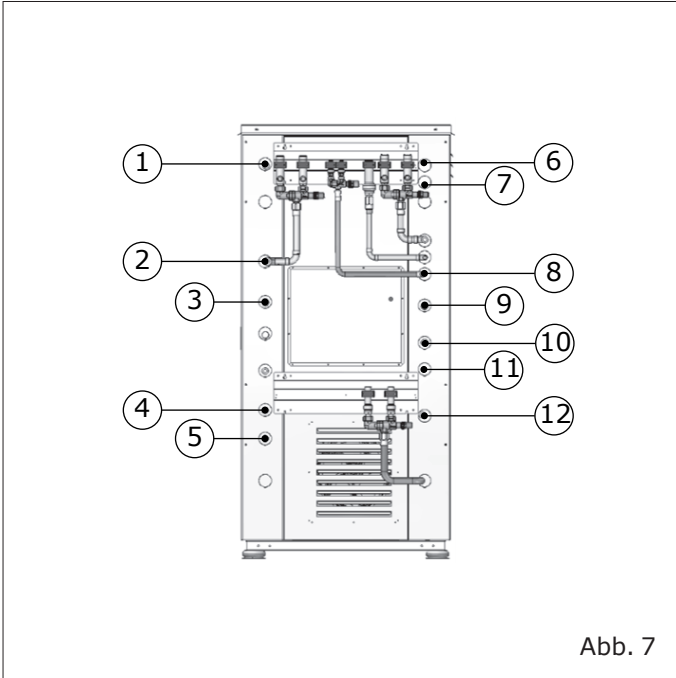


Abb. 7

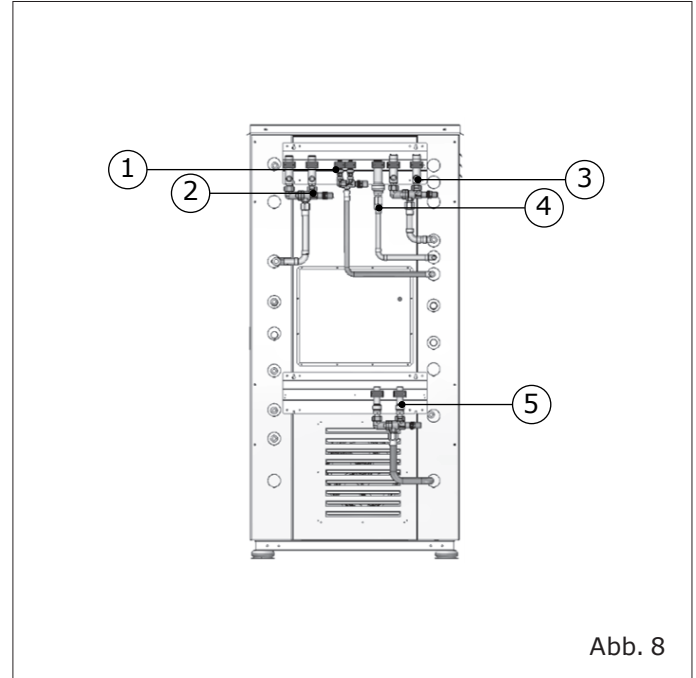


Abb. 8

1. Rücklauf am Eingang vom Gaskühler (1" 1/8 K65)
2. Zulauf Ansaugung vom Versorger MEDIUM TEMPERATURE (1" 3/8 K65 / 1" 1/8 K65)
3. Flash gas zum FTE (1" 1/8 K65)
4. Ausgang zum Gaskühler mit Wärmerückgewinnung (1" 1/8 K65)
5. Ausgang Flüssigkeitsleitung (1" 1/8 K65 / 7/8" K65)
6. Ausgang Unterkühler-Saugleitung R134a (22mm Cu)
7. Eingang Flüssigkeitsleitung Unterkühler R134a (16mm Cu)
8. Eingang Saugleitung NIEDRIGE TEMPERATUR (22x1,5mm Cu / 7/8" K65)
9. Ausgang H<sub>2</sub>O 0|(35mm Cu)
10. Eingang H<sub>2</sub>O (35mm Cu)
11. In Richtung Bypass des Luftentwärmers in der Druckleitung von Versorgungskompressoren NIEDRIGE TEMPERATUR (5/8" K65)
12. Ausgang zum Gaskühler ohne Wärmerückgewinnung (1" 1/8 K65)

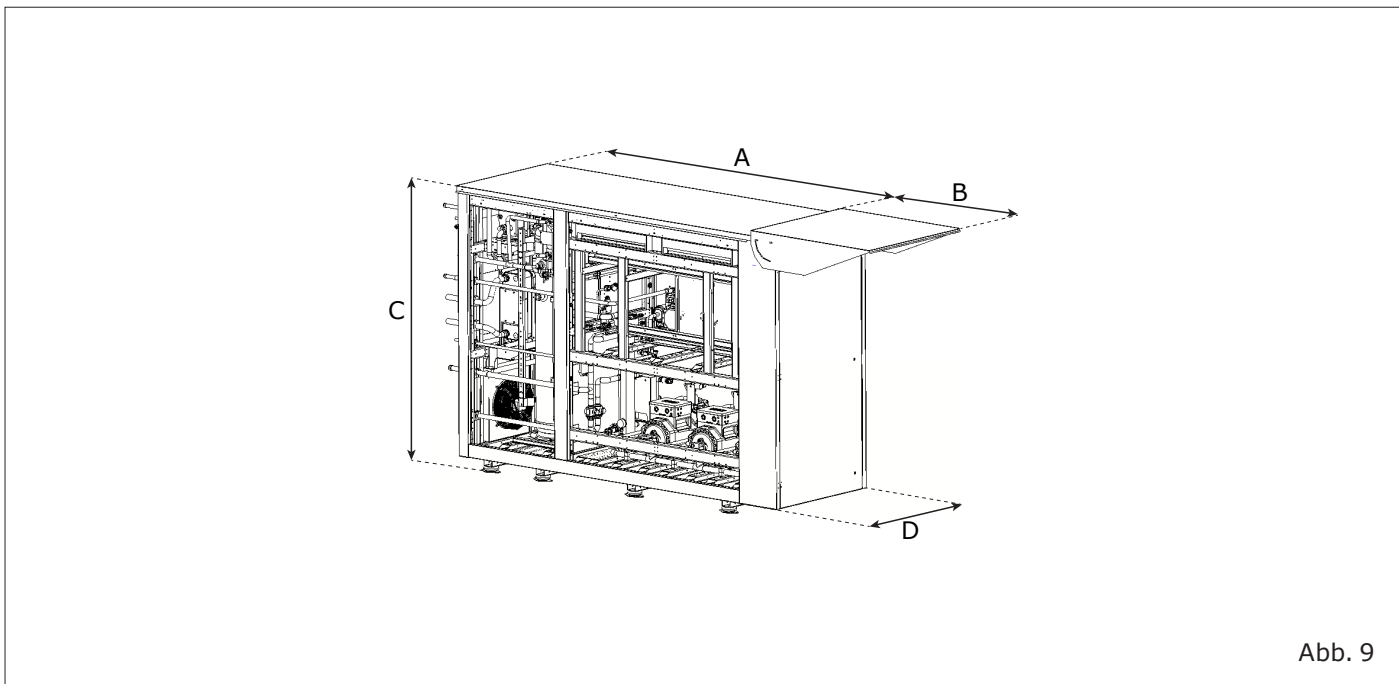
1. Ansaugung MITTEL-TEMPERATUR, doppelt mit Wechselhahn
2. Ansaugung NIEDRIGE TEMPERATUR, doppelt mit Wechselhahn
3. Flüssigkeitsaufnahme, doppelt mit Wechselhahn
4. ETE-Modul Ansaugung 100bar (optional)
5. Hochdruck 120bar, doppelt mit Wechselhahn

Model - Modello - Modèle Modell	<b>ECO2SMALL PLUS</b>	
Manufacturer - Fabbricante - Constructeur Hersteller	<b>Epta Spa</b> - Via Mecenate, 86 - 20138 Milano (MI) ITALIA Tel. 02/55403211 Telefax 02/55401023	

User manual

### 3.1 Schnittbilder

- EN
- IT
- FR
- DE



**Tab. I**

Ausführung	Länge A (mm)	Länge B Regendach (mm)	Höhe C (mm)	Tiefe D (mm)
3 MT	3030	910	2080	1000
2 MT + 1 ETE	3030	910	2080	1000
3 MT + 2 LT	3030	910	2080	1000
2 MT + 2 LT + 1 ETE	3030	910	2080	1000

1. MT = Kompressor Benutzung MITTEL-TEMPERATUR
2. LT = Kompressor Benutzung NIEDRIGER TEMPERATUR
3. ETE = Verdichter für die ETE-Konfiguration ("Extreme Temperature Efficiency")

Model - Modello - Modèle Modell	<b>ECO2SMALL PLUS</b>	
Manufacturer - Fabbricante - Constructeur Hersteller	<b>Epta Spa</b> - Via Mecenate, 86 - 20138 Milano (MI) ITALIA Tel. 02/55403211 Telefax 02/55401023	

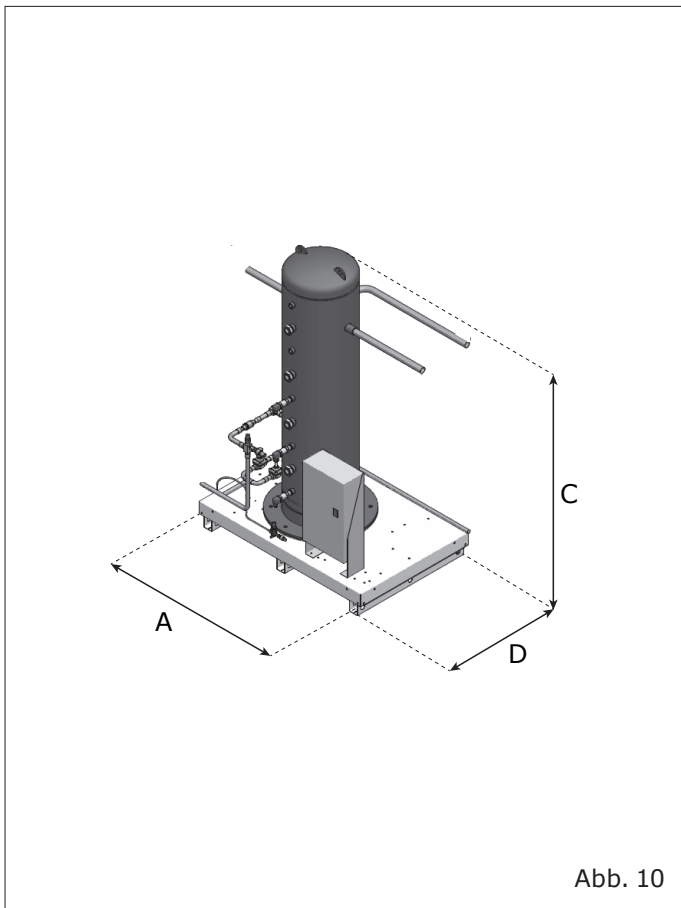


Abb. 10

REMOTE-Modul FTE ohne Gehäuse

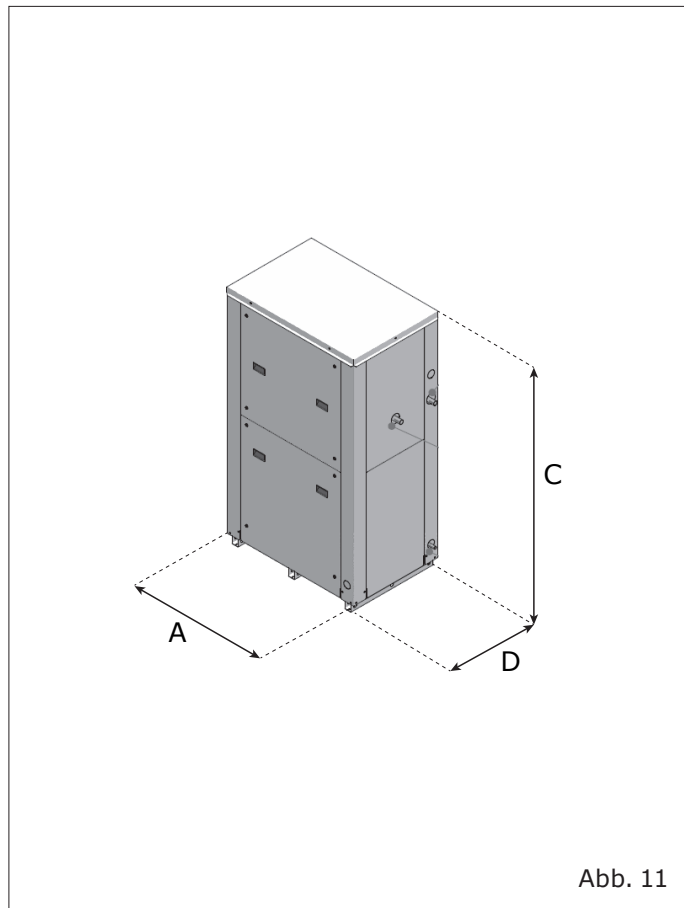


Abb. 11

REMOTE-Modul FTE mit Gehäuse

**Tab. II**

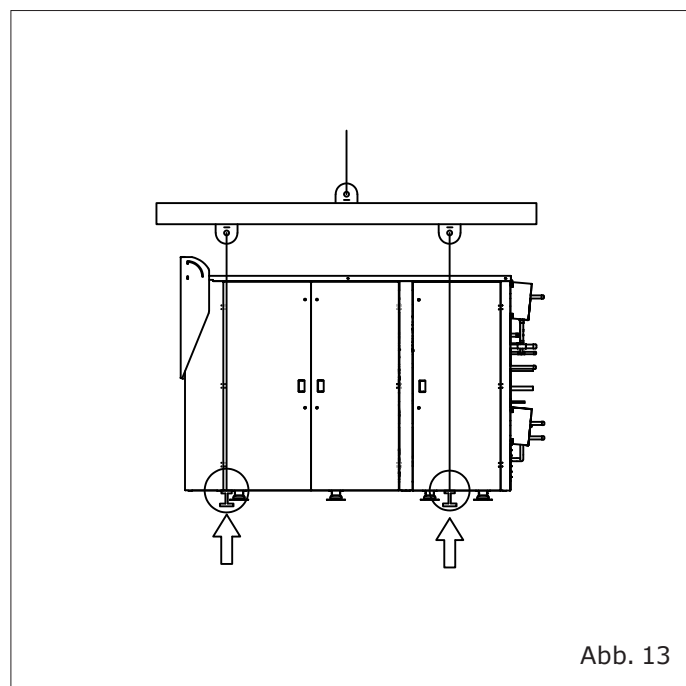
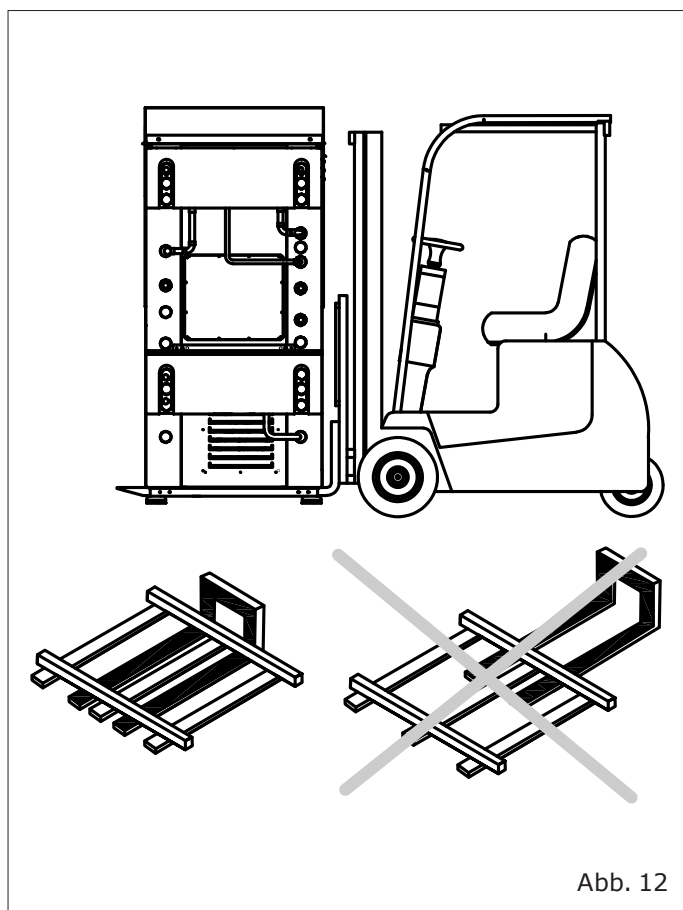
REMOTE-Zubehör	Länge A (mm)	Höhe C (mm)	Tiefe D (mm)
Modul FTE ohne Gehäuse	1200	1770	800
Modul FTE mit Gehäuse	1200	2110	800

Model - Modello - Modèle Modell	<b>ECO2SMALL PLUS</b>	
Manufacturer - Fabbricante - Constructeur Hersteller	<b>Epta Spa</b> - Via Mecenate, 86 - 20138 Milano (MI) ITALIA Tel. 02/55403211 Telefax 02/55401023	

User manual

- EN
- IT
- FR
- DE

## 4. TRANSPORT DER KÄLTEANLAGE

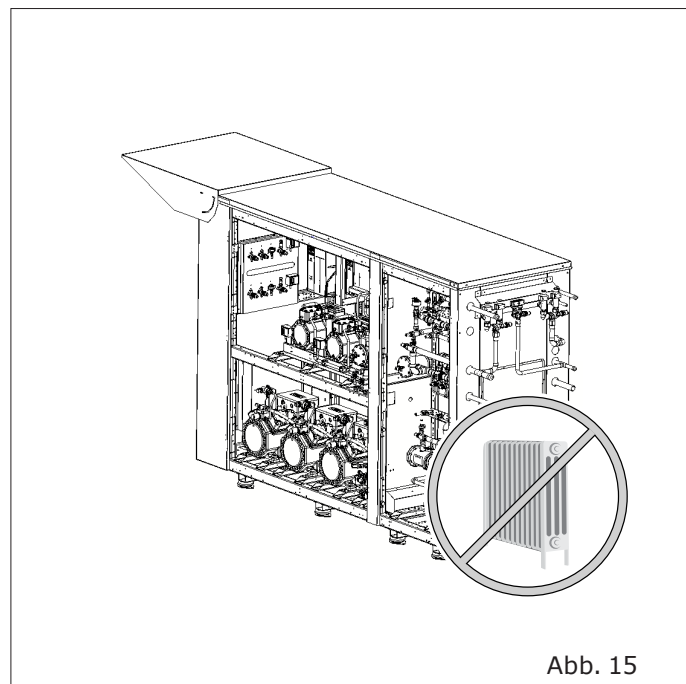
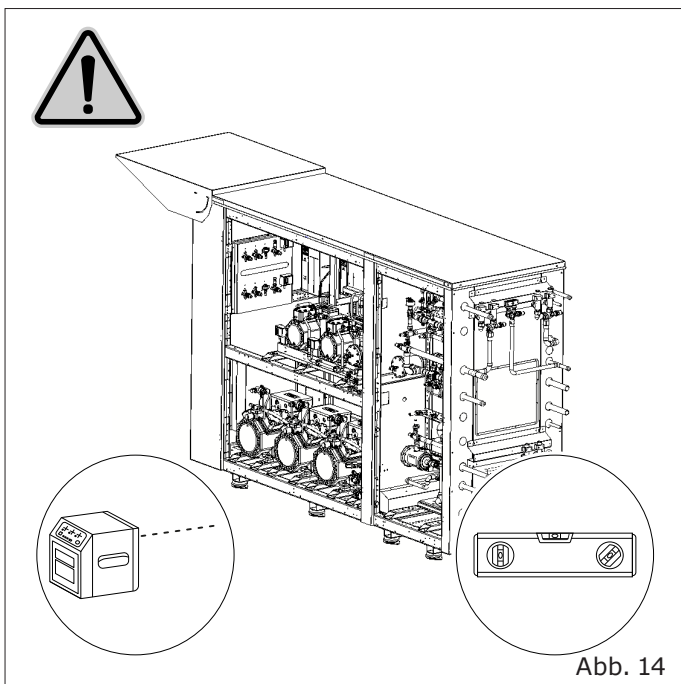


**Tab. III**

Ausführung	Maximales Nettogewicht ohne Gehäuse (kg)	Maximales Nettogewicht mit nicht schallisoliertem Gehäuse (kg)	Maximales Nettogewicht mit schallgedämmtem Gehäuse (kg)
3 MT	2040	2300	2420
2 MT + 1 ETE	1990	2260	2370
3 MT + 2 LT	2190	2460	2570
2 MT + 2 LT + 1 ETE	2190	2460	2570

Model - Modello - Modèle Modell	<b>ECO2SMALL PLUS</b>	
Manufacturer - Fabbricante - Constructeur Hersteller	<b>Epta Spa</b> - Via Mecenate, 86 - 20138 Milano (MI) ITALIA Tel. 02/55403211 Telefax 02/55401023	

## 5. UMGEBUNGSBEDINGUNGEN



**Tab. IV**

Eigenschaften	
Art der Umgebung	Außen / Innen
Temperatur	<45°C
Schallgedämmtes Gehäuse	Obligatorisch bei Positionierung draußen

**Tab. V**

Ausführung	Lp max ohne Gehäuse @10m (dB(A))	Lp max mit schallgedämmtem Gehäuse @10m (dB(A))
3 MT	58	53
2 MT + 1 ETE	57	51
3 MT + 2 LT	59	53
2 MT + 2 LT + 1 ETE	57	52

Model - Modello - Modèle Modell	<h1>ECO2SMALL PLUS</h1>	
Manufacturer - Fabbricante - Constructeur Hersteller	<b>Epta Spa</b> - Via Mecenate, 86 - 20138 Milano (MI) ITALIA Tel. 02/55403211 Telefax 02/55401023	

User manual

- EN
- IT
- FR
- DE

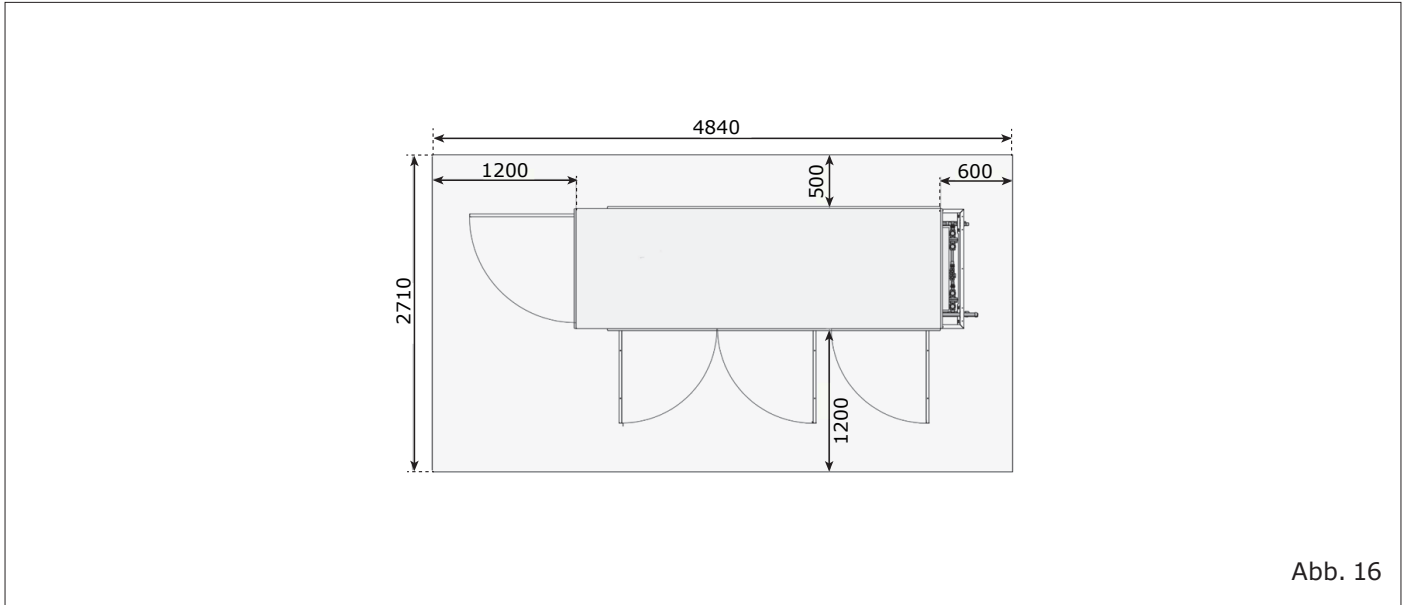


Abb. 16

Funktionsraum für die Wartung

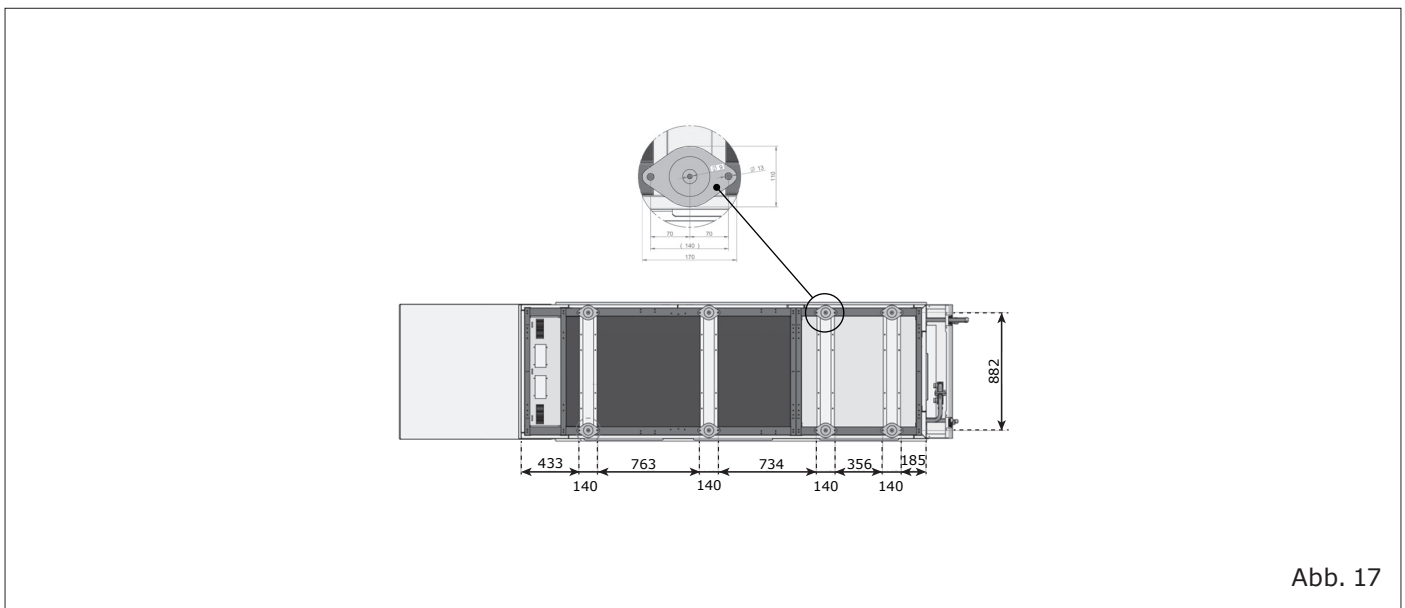


Abb. 17



Model - Modello - Modèle  
Modell

## ECO2SMALL PLUS



Manufacturer - Fabbricante - Constructeur  
Hersteller

**Epta Spa** - Via Mecenate, 86 - 20138 Milano (MI) ITALIA  
Tel. 02/55403211 Telefax 02/55401023

User manual

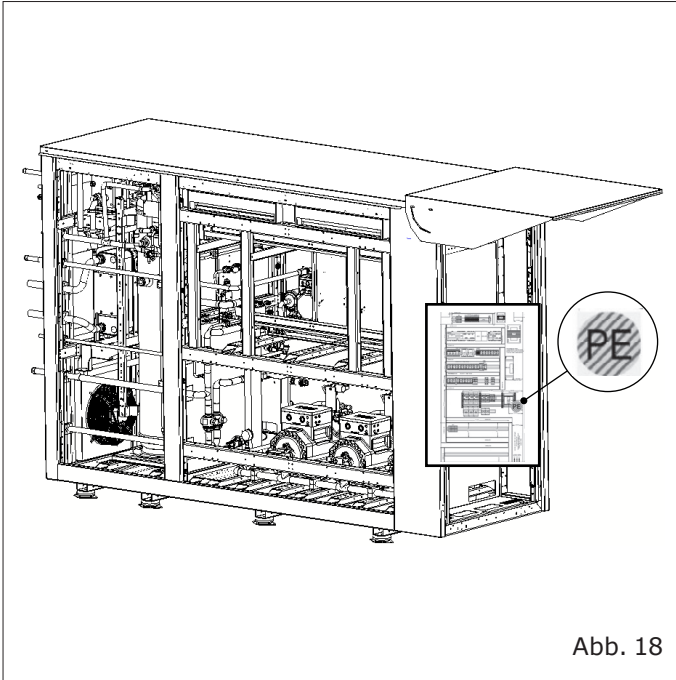
## 6. ELEKTRISCHER ANSCHLUSS

EN

IT

FR


DE



Model - Modello - Modèle Modell	<b>ECO2SMALL PLUS</b>	
Manufacturer - Fabbricante - Constructeur Hersteller	<b>Epta Spa</b> - Via Mecenate, 86 - 20138 Milano (MI) ITALIA Tel. 02/55403211 Telefax 02/55401023	


User manual

## 7. TECHNISCHE EIGENSCHAFTEN



①

②



1370


<b>MODELLO / MODEL</b> _____ ③	<b>MATRICOLA / SERIAL N.</b> _____ ④
<b>DATA / DATE</b> _____ ⑤	<b>CODICE / CODE</b> _____ ⑥
<b>CODICE QUADRO ELETTRICO / ELECTRICAL PANEL CODE</b> _____ ⑦	
<b>TENSIONE / VOLTAGE</b> _____ ⑧ V _____ Ph _____ Hz	
<b>CORRENTE NOMINALE SENZA UTENZE / NOMINAL CURRENT WITH NO USERS</b> _____ ⑨ A	
<b>FUSIBILI GENERALI / FUSES</b>  _____ ⑩ A	
<b>MANDATA / DISCHARGE</b> _____ ⑪ PS _____ bar	<b>TS</b> _____ bar ⑫
<b>LIQUIDA / LIQUID</b> _____ ⑬ PS _____ bar	<b>TS</b> _____ bar ⑭
<b>ASPIRAZIONE MT / SUCTION LINE MT</b> _____ ⑮ PS _____ bar	<b>TS</b> _____ bar ⑯
<b>ASPIRAZIONE BT / SUCTION LINE LT</b> _____ ⑰ PS _____ bar	<b>TS</b> _____ bar ⑱
<b>ASPIRAZIONE MT<sub>2</sub> / SUCTION LINE MT<sub>2</sub></b> _____ ⑲ PS _____ bar	<b>TS</b> _____ bar ⑳
<b>REFRIGERANTE / REFRIGERANT</b> _____ ㉑	<b>CARICA / CHARGE</b> _____ ㉒ kg

Abb. 19

- |  |  |
|--|--|
| <ol style="list-style-type: none"> <li>1. Produktherkunft</li> <li>2. Barcode</li> <li>3. Modell</li> <li>4. Seriennummer</li> <li>5. Herstellungsdatum</li> <li>6. Hat Code</li> <li>7. Schaltschrank-Code</li> <li>8. Nennspannung</li> <li>9. Bemessungsstrom ohne Abnahme</li> <li>10. Bemessungsstrom allgemeine Sicherungen</li> <li>11. Maximal zulässiger Druck Zuleitung</li> <li>12. Max. zulässige Druckleitungstemperatur</li> <li>13. Maximal zulässiger Flüssigkeitsleitungsdruck</li> <li>14. Maximal zulässige Flüssigkeitstemperatur</li> </ol> | <ol style="list-style-type: none"> <li>15. Maximal zulässiger Druck - Abnahme - Saugleitung MITTEL-TEMPERATUR</li> <li>16. Maximal zulässige Temperatur Abnahme -Saugleitung MITTEL TEMPERATUR</li> <li>17. Maximal zulässiger Druck Abnahme NIEDRIGE TEMPERATUR</li> <li>18. Maximal zulässige Temperatur Abnahme-Saugleitung NIEDRIG TEMPERATUR</li> <li>19. Maximal zulässiger Druck zweite Saugleitung (ETE, AC, ...)</li> <li>20. Maximal zulässige Temperatur zweite Saugleitung (ETE, AC, ...)</li> <li>21. Kältemittelart</li> <li>22. Kältemittelmasse (bei vorgefülltem Kühlaggregat)</li> </ol> |
|--|--|

Model - Modello - Modèle Modell	<b>ECO2SMALL PLUS</b>	
Manufacturer - Fabbricante - Constructeur Hersteller	<b>Epta Spa</b> - Via Mecenate, 86 - 20138 Milano (MI) ITALIA Tel. 02/55403211 Telefax 02/55401023	

## 8. HINWEISE FÜR DEN NUTZER

### 8.1 Das Kältemittel R744 im transkritischen Kreislauf

Der Grundzyklus der Kälteerzeugung mit R744 besteht aus vier Umwandlungen: Verdichtung, Kondensation, Laminierung oder Expansion (umgekehrtes Prinzip der Verdichtung, diese Umwandlung findet im elektronischen oder thermostatischen Ventil vor dem Verdampfer statt) und Verdampfung.

Der transkritische Kreisprozess trägt diesen Namen, weil die Kondensationsumwandlung oberhalb des kritischen Punktes stattfindet. In diesem Fall sprechen wir nicht mehr von Kondensation, sondern von Gaskühlung.

Oberhalb des kritischen Punktes sind Druck und Temperatur nicht mehr eindeutig bestimmt, d. h. einer bestimmten Temperatur entsprechen mehr Drücke. In diesem Fall wird also die Temperatur am Ausgang des Gaskühlers gemessen, wodurch der Druck ermittelt werden kann, der die Leistung des Systems optimiert (ein Vorgang, der ständig vom Regler ausgeführt wird).

Die Abnehmer MITTLERER und NIEDRIGER TEMPERATUR werden von demselben Flüssigkeitssammler versorgt; die Kompressoren des Abnehmers von NIEDRIGER TEMPERATUR münden in die Ansaugung der Kompressoren des Abnehmers von MITTLERER TEMPERATUR, wodurch ein einziger Gaskühler entsteht.

### 8.2 Beschreibung der Kälteanlage

Diese Serie von Kälteanlagen ist als Kühlaggregat für die gewerbliche Kühlung geeignet.

Sie verwendet das Kältemittel R744 und arbeitet im transkritischen und unterkritischen Bereich

AUFBAU Grundgestell und Tragrahmen aus Lasertube-Profilen und gebogenem, verzinktem Blech (verbunden mit hochfesten Strukturnieten oder Schrauben und Bolzen), anschließend mit Epoxid-Polyester-Pulver in RAL7016 und RAL7035 lackiert und auf schwingungsdämpfenden Halterungen montiert

Schwingungsdämpfende Stützen mit mittigem Kern aus Gummi, die werkseitig an speziellen Gehäusen an den Längsträgern der Maschine befestigt werden

HRE aus Cu R220 mit einem maximal zulässigen Druck von 30bar, aus CuFe K65 mit einem maximal zulässigen Druck von 120bar, aus AISI 304L mit einem maximal zulässigen Druck von 130bar ("Abb. 7")

ISOLIERUNG mit flexiblem, extrudiertem Elastomerschaum (FEF) für alle Komponenten der Saug- und Flüssigkeitsleitung (19 mm) und des Flüssigkeitssammlers (32 mm)

Halbhermetische Kolbenkompressoren, ausgestattet mit einer elektrischen Kurbelgehäuseheizung

DREHZAHLREGLER zur stufenlosen Einstellung der Drehzahl und damit des Kältemittelstroms der Kompressoren

Model - Modello - Modèle Modell	<b>ECO2SMALL PLUS</b>	
Manufacturer - Fabbricante - Constructeur Hersteller	<b>Epta Spa</b> - Via Mecenate, 86 - 20138 Milano (MI) ITALIA Tel. 02/55403211 Telefax 02/55401023	

## User manual

EN

SICHERHEITSDRUCKSCHALTER für jeden Kompressor der MITTEL- und NIEDERTEMPERATUR-Benutzer und für den Kompressor des ETE-Moduls entsprechend den in den jeweiligen Ländern geltenden Normen

IT

FR

DE

HEISSGAS- UND FLÜSSIGKEITS-EINSPRITZVENTIL für die Saugleitung der MITTEL- und NIEDRIG-TEMPERATUR-Verbraucher

TRANSKRITISCHES VENTIL (HPV) mit externem Filter

BY-PASS GASFLASCHENVENTIL

FLÜSSIGKEITSBEHÄLTER 110L mit maximal zulässigem Druck von 60bar, EINGEBAUT in die Kälteanlage

HOCHDRUCK-ÖLSYSTEM mit Ölabscheider, Ölsammler, Sicherheitsventil und Öleinspritzregler für jeden Verdichter

SICHERHEITSVENTILE in jeder Leitung, EINGEBAUT in das Verdichtergestell ("Abb. 8")

FILTER in der Saugleitung zu den Verbrauchern MITTEL- und NIEDRIGER TEMPERATUR und in der Flüssigkeitsleitung

SCHALTТАFEL (im Kühlaggregat INTEGRIERT)

VOREINSTELLUNG FÜR SWITCHON PACK ((INTEGRIERTER elektrischer Anschluss in die Kälteanlage, ausgestattet mit Carel und Danfoss Versorgungsreglern)

VOREINSTELLUNG FÜR SMART SYSTEM (ICE)

BACKUP-GASKÜHLER-VENTILATOREN manueller Stromkreis für den Betrieb der Gaskühlerventilatoren mit maximaler Geschwindigkeit

ANWENDUNGSBEREICH: mittel-kleine Handelsbetriebe (Discounter und Supermärkte) mit Verkaufsflächen von 800m<sup>2</sup> bis 1.700m<sup>2</sup>

EINSATZBEREICH:

- Anwender **LOW TEMPERATURE** von 5,5kW bis 23kW unter Bezugnahme auf die folgenden Bedingungen:  $T_{\text{Verdampfung}} = -32^{\circ}\text{C}$ ,  $T_{\text{Kondensation}} = -8^{\circ}\text{C}$

- Anwender **MITTELTEMPERATUR** von 35kW bis 106kW unter Berücksichtigung folgender Bedingungen:  $T_{\text{Verdampfung}} = -8^{\circ}\text{C}$ ,  $T_{\text{Gaskühler}} = +40^{\circ}\text{C}$

MAXIMAL ZULÄSSIGE DRUCKWERTE

- Versorgung 120bar
- Mittlere Temperatur Ansaugung Abnahme 45bar / 53bar / 60bar
- NIEDRIGER TEMPERATUR Ansaugung Abnahme 30bar / 60bar
- Flüssigkeitsleitung 45bar / 60bar
- Flüssigkeitssammler 60bar
- ETE-Modul Ansaugung 100bar (optional)

Die allgemeinen Eigenschaften und die Abmessungen sind in den Abbildungen und in den Abschnitten der aufgeführt: "Allgemeine Beschreibung" (ab S. "8" bis S. "13").

Model - Modello - Modèle Modell	<b>ECO2SMALL PLUS</b>	
Manufacturer - Fabbricante - Constructeur Hersteller	<b>Epta Spa</b> - Via Mecenate, 86 - 20138 Milano (MI) ITALIA Tel. 02/55403211 Telefax 02/55401023	

### 8.3 Transport und Bewegung des Kühlmöbels

Die Kälteanlage befindet sich in einer besonderen Verpackung, die je nach den Erfordernissen der Handhabung mit Transportrutschen oder Paletten ausgestattet ist und unter Druck mit Stickstoff steht.



Bevor Sie mit dem Heben beginnen, vergewissern Sie sich, dass sich die Kühlanlage in einem stabilen Gleichgewicht befindet und vom Druck entlastet ist.

Für den Transport und die Handhabung der Kälteanlage verwenden Sie:

- einen Gabelstapler, der für das Anheben des Kühlgeräts geeignet ist und dessen Eigenschaften den geltenden Vorschriften entsprechen ("Abb. 12")



Vergewissern Sie sich vor dem Anheben, dass die Schieber fest mit dem Boden der Kälteanlage verbunden sind.

- Ein Kran, der für das Anheben der Kälteanlage geeignet ist, mit geeigneten Eigenschaften gemäß den geltenden Vorschriften („...“).Abb. 13")



Positionieren Sie die Hebestangen an den auf dem Rahmen markierten Punkten und verwenden Sie Abstandshalter, die die Kälteanlage vor Schäden an der Konstruktion schützen.



Heben Sie die Kälteanlage vor dem Transport nur so weit an, dass die Gleitschienen entfernt werden können, und führen Sie dann den Hebevorgang durch.



Verwenden Sie eine Krantraverse, um Beschädigungen der Schalttafel, des Gehäuses und der Abdeckung (falls vorhanden) zu vermeiden.

Das Gewicht der Kälteanlage (ohne und mit Verpackung) und die Verpackungsgröße finden Sie in den Tabellen „Tab. I“ und "Tab. III".

Die Durchführung der Positionierungsarbeiten muss durch qualifiziertes Personal erfolgen. Dieses muss in der Lage sein, das Gewicht, die Hebepunkte und die für die Sicherheit und Tragfähigkeit am besten geeigneten Hilfsmittel richtig einzuschätzen.



Führen Sie keine plötzlichen Bewegungen oder Stöße aus, die die Integrität und Funktionalität der Komponenten des Kühlgeräts beeinträchtigen könnten.

### 8.4 Empfang und Lagerung des Möbels

Überprüfen Sie den Zustand der Verpackung, bevor Sie die Kälteanlage vom Spediteur übernehmen.

Sollte die Verpackung sichtbare Beschädigungen aufweisen:

- Entfernen Sie die Verpackung der Kälteanlage im Beisein des Spediteurs.
- Quittieren Sie den Empfang des Dokuments unter Vorbehalt

Der Hersteller haftet nicht für Schäden, die durch den Transport oder die unsachgemäße Lagerung der Kälteanlage entstehen.



Wenn die Kälteanlage nicht mit einem Gehäuse ausgestattet ist, muss sie an einem vor Sonne und Witterung geschützten Ort gelagert werden.



Die Anlage wird komplett mit einer Füllung von trockener Stickstoff unter Druck im Kühlkreislauf geliefert. Lassen Sie den Druck ab, bevor Sie mit der Handhabung und Installation beginnen.

Model - Modello - Modèle Modell	<b>ECO2SMALL PLUS</b>	
Manufacturer - Fabbricante - Constructeur Hersteller	<b>Epta Spa</b> - Via Mecenate, 86 - 20138 Milano (MI) ITALIA Tel. 02/55403211 Telefax 02/55401023	

## User manual

### 8.5 Installation und Umgebungsbedingungen



Die Anlage wird komplett mit einer Füllung von trockener Stickstoff unter Druck im Kühlkreislauf geliefert. Lassen Sie den Druck ab, bevor Sie mit der Handhabung und Installation beginnen.

Für den korrekten Betrieb der Kälteanlage ist darauf zu achten, dass diese wie folgt aufgestellt wird:

- Das Gerät muss auf einem ebenen Untergrund aufgestellt werden. ("Abb. 14").
- Fern von Wärmequellen und Brandherden ("Abb. 15").



Wählen Sie den Aufstellungsort der Kältezentrale so, dass eine Kondensation von Luftfeuchtigkeit stets vermieden wird.



Beachten Sie die für den ordnungsgemäßen Betrieb und die Wartung erforderlichen Funktionsflächen ("Abb. 16").

Nach der endgültigen Positionierung muss die Kälteanlage mit Hilfe der Befestigungsöffnungen an den schwingungsdämpfenden Sockeln fest mit dem Sockel verbunden werden ("Abb. 17").

Die Umgebungsbedingungen für die Aufstellung der Kälteanlage sind in "Umgebungsbedingungen" (Tabelle "Tab. IV").



Es wird empfohlen, die Verbindungsleitungen zwischen der Kälteanlage und den anderen Komponenten der Anlage fachgerecht zu installieren.



Es empfiehlt sich, besonders auf die Sicherstellung der Ölrückführung zu den Kompressoren zu achten (z. B. Einbau von Siphons und Mindestgeschwindigkeit in den Leitungen).



Es empfiehlt sich, besonders darauf zu achten, den Druckabfall entlang der Saugleitungen zu begrenzen (eine gute Faustregel ist, 1,5kPa nicht zu überschreiten).

Model - Modello - Modèle Modell	<b>ECO2SMALL PLUS</b>	
Manufacturer - Fabbricante - Constructeur Hersteller	<b>Epta Spa</b> - Via Mecenate, 86 - 20138 Milano (MI) ITALIA Tel. 02/55403211 Telefax 02/55401023	

## AUFSTELLUNG IN EINEM TECHNISCHEN RAUM

Bei der Installation in einem Technik- oder Maschinenraum müssen spezielle Öffnungen in den Wänden oder Belüftungsvorrichtungen einen Luftdurchsatz gewährleisten, der den geltenden Normen entspricht, um gefährliche Kältemittelkonzentrationen zu vermeiden.

Insbesondere:

- darf der freie Luftdurchgang von Fenstern, Gittern und Lufteinlässen oder -kanälen nicht durch Wände oder Barrieren behindert werden
- die Lüftungsöffnungen dürfen nicht zu Öffnungen in anderen Räumen führen
- die Dichte des Kältemittels muss beachtet werden
- die Ventilatoren müssen sowohl von außen als auch von innen bedient werden können
- bei unterirdisch installierten Maschinenräumen muss sich der Steuerschalter von außerhalb des speziellen Maschinenraums im Erdgeschoss befinden



Bei der Installation in einem Technikraum muss ein Detektor für die R744-Konzentration in der Atmosphäre vorhanden sein, der ein Alarmsignal oder die Aktivierung geeigneter Luftaustauschsysteme auslöst.



Der Alarm des R744-Konzentrationsdetektors muss außerhalb des Technikraums angebracht werden, um zu verhindern, dass befugtes Personal den Raum betritt, wenn der Alarm noch aktiv ist.

## INSTALLATION IM FREIEN

Bei der Aufstellung im Freien ist bei der Wahl des definitiven Standorts der Kälteanlage Folgendes zu berücksichtigen:

- die Lärmbelästigung ist so gering wie möglich zu halten (die Kälteanlage ist so weit wie möglich von bewohnten Bereichen entfernt aufzustellen und mögliche Quellen der Schallwellenrückstrahlung sind zu vermeiden)
- die Kälteanlage darf nicht in der Nähe von brennbarem Material aufgestellt werden, um die Brandgefahr zu minimieren
- die Kälteanlage darf nicht in der Nähe von Wärmequellen aufgestellt werden, um die Möglichkeit des Austretens von Kühlflüssigkeit in den Raum zu minimieren

EN

IT

FR

DE

Model - Modello - Modèle Modell	<b>ECO2SMALL PLUS</b>	
Manufacturer - Fabbricante - Constructeur Hersteller	<b>Epta Spa</b> - Via Mecenate, 86 - 20138 Milano (MI) ITALIA Tel. 02/55403211 Telefax 02/55401023	

## User manual

### 8.6 Elektrischer Anschluss

Die Schalttafel der Kühlanlage ist für eine Stromversorgung von 380V-400V/3ph/50Hz ausgelegt.

Eine Anschlussstelle, bestehend aus einer Schraube mit Mutter und einer Markierung mit einem Erdungssymbol ("Abb. 18"), da die Äquipotentialität der Metallkonstruktion durch ein spezielles Montagesystem gewährleistet ist. Es muss mit Kabeln versehen werden, deren Querschnitt für die Leistung des Geräts und für die Installationsbedingungen am Aufstellungsort geeignet ist.



Es ist notwendig und unerlässlich, die Kältezentrale an das Erdungssystem des Gebäudes anzuschließen.



Die elektrische Installation der Kältezentrale muss entsprechend den in den jeweiligen Ländern geltenden Normen.

Des Weiteren muss Folgendes geprüft werden,

- dass die elektrischen Kabel ohne Federklemmen (z. B. Motorkabel, die an Schütze angeschlossen sind) am Klemmenbrett festgezogen werden, da sie sich während des Transports und der Handhabung durch Vibrationen gelöst haben könnten
- die Verdrahtung des Schaltschranks, wobei darauf zu achten ist, dass die Anschlussmuffen nicht mit den Kältemittelleitungen oder dem Verdichter in Berührung kommen und dass keine Abnutzung durch Reibung oder Kontakt mit Hochtemperaturflächen oder Kondenswasser auftreten kann
- das Vorhandensein von Macht in allen Phasen

Das an der Maschine angebrachte Typenschild gibt unter anderem den Wert des maximalen Nennstroms (A) an. Dieser Wert berücksichtigt nicht die Ventilatoraufnahme eines eventuellen Gaskühlers.

#### EINGANG DES STROMVERSORGUNGSKABELS IN DIE SCHALTТАFEL

Die Stromkabel müssen von unten über die Platte an der Unterseite des Schaltschranks eingeführt werden (die Platte befindet sich auf der rechten Seite und ist durch Öffnen des Schaltschranks zugänglich). Um den Schutzgrad des Schaltschranks zu erhalten, müssen spezielle Kabeldurchführungen verwendet werden.



Beim Bohren von Löchern für die Kabelverlegung ist darauf zu achten, dass keine Metallspäne in das Innere der Schalttafel eindringen: KURZSCHLUSSGEFAHR



Alle Komponenten der Kälteanlage müssen vor dem Eindringen von Wasser geschützt werden. In Bereichen, in denen Wasser in unmittelbarer Nähe vorhanden ist, ist die IP-Schutzklasse der elektrischen Bauteile zu beachten.

### 8.7 Technische Eigenschaften

Das Typenschild zeigt die charakteristischen technischen Daten der Kälteanlage. Ihre Lage und Art der Daten finden Sie unter "Technische Eigenschaften" ("Abb. 19").



Model - Modello - Modèle Modell	<b>ECO2SMALL PLUS</b>	
Manufacturer - Fabbricante - Constructeur Hersteller	<b>Epta Spa</b> - Via Mecenate, 86 - 20138 Milano (MI) ITALIA Tel. 02/55403211 Telefax 02/55401023	

## 8.8 Zubehör und Optionen

### Gehäuse

Panele aus feuerverzinktem Blech und anschließender Lackierung mit Epoxid-Polyester-Pulverfarbe im Farbton RAL7035, Befestigung am Rahmen mit Nieten oder Schrauben; Abdeckpaneel mit „rautenförmiger“ Faltung zur Vermeidung von Wasseransammlungen

### Regenfestes Dach

blechabdeckung vor der Schalttafel

### Schallschutzabdeckung für Gehäuse

Paneel bestehend aus einer Schicht aus Polyesterfaser (Dicke 25mm und Dichte 45kg/m<sup>3</sup>) und Gummi (Dicke 4mm und Flächenmasse 8kg/m<sup>2</sup>)

### Modul FTE

zusätzlicher Flüssigkeitssammler  
Erhältlich als REMOTE-Modul (vor Ort zu installieren und anzuschließen) oder INTEGRIERT in die Kältemaschine

### Modul ETE

Unterkühlungsmodul INTEGRIERT in der Kälteanlage  
Komponenten des Moduls: spezieller Verdichter mit elektronischem Expansionsventil, Plattenwärmetauscher, Leistungsregler und motorisiertes Ventil



Um das Risiko eines Flüssigkeitseinschlusses in der Rohrleitung zu vermeiden, darf die Werkseinstellung des minimalen Öffnungsgrads des Expansionsventils des ETE-Moduls nicht verändert werden.

### Schaltschrank für Luftkühler für Benutzer von NIEDRIGER TEMPERATUR

Bypass-System zur Einfügung des Enthitzers in die Druckleitung des Kompressors für Benutzer mit NIEDRIGER TEMPERATUR

Modulbestandteile: mechanischer Bypass, Schaltschrank für die Steuerung des Enthitzers (FERN und separat vom Kunden geliefert)

### Wärmerückgewinnungsmodul

plattenwärmetauscher für die Wärmerückgewinnung auf die Verdichter-Austrittstemperatur für Benutzer MITTLERER TEMPERATUR, über einen Hydraulikkreislauf  
Das Modul wird INTEGRIERT in der Kälteanlage geliefert, wobei die hydraulischen und sicherheitstechnischen Anschlüsse vor Ort vorgenommen werden müssen (separat vom Kunden geliefert und entsprechend den in den jeweiligen Ländern geltenden Normen)



Treffen Sie alle erforderlichen Maßnahmen, um ein Einfrieren des Wassers im Plattenwärmetauscher zu verhindern.

### Economiser

plattenwärmetauscher, der zwischen der Ansaugleitung der MITTLEREN TEMPERATUR Benutzer und der Rückführleitung des Gaskühlers angebracht ist



Der Economiser kann nicht in Kombination mit dem ETE-Modul gewählt werden.

### Druckschalter zur Abschaltung der Versorgung

mechanischer Druckschalter zur Abschaltung der Versorgung von der Schaltanlage bei hohem Saugdruck

### Zusatzaggregat R744

hilfskühlaggregat: wird bei Systemabschaltung aktiviert, um den Druck im Flüssigkeitssammler konstant zu halten

Der Elektrische Anschluss des Moduls muss vor Ort erfolgen (separat vom Kunden geliefert und entsprechend den in den jeweiligen Ländern geltenden Normen)

### Bypass-Ölabscheider

mechanisches System zum Ausschluss des Ölabscheiders

### Runder pilztaster

elektrischer Anschluss gemäß Schaltplan

Model - Modello - Modèle Modell	<b>ECO2SMALL PLUS</b>	
Manufacturer - Fabbricante - Constructeur Hersteller	<b>Epta Spa</b> - Via Mecenate, 86 - 20138 Milano (MI) ITALIA Tel. 02/55403211 Telefax 02/55401023	

## 8.9 **Wartung und periodische Kontrolle**

Eine ständige Kontrolle des Zustands der Maschine und eine ordnungsgemäße Wartung sind eine Garantie für die langfristige Zuverlässigkeit und das gute Funktionieren des gesamten Systems.

Darüber hinaus gibt es eine Reihe von Kontrollen, die von autorisiertem Personal in regelmäßigen Abständen durchgeführt werden können: Es handelt sich um einfache Sichtkontrollen des Zustands der wichtigsten Komponenten der Anlage.

### Häufigkeit der Wartung



Wartungsarbeiten dürfen ausschließlich von befugtem Personal durchgeführt werden.

#### **AFTER 15 TAGE SEIT START** durchführen

- die Feststellung des Förderdrucks
- Messung des Saugdrucks
- Messung der Versorgungsspannung
- Messung der Stromstärke
- Austausch der Filtertrockner (mechanische Filter an der Saugleitung, Feststofffilter an der Flüssigkeitsleitung)
- Messung der Druckdifferenz zwischen dem Durchfluss (Manometer) und dem vom Regler abgelesenen Druck am Gaskühler ( $Dp_{max} = 0,8\text{bar}$ )

#### **AFTER 1 MONAT SEIT START** durchführen

- Austausch des Ölabscheiderfilters
- Überwachung der Druckdifferenz zwischen Eingang (Manometer) und Ausgang (Druckmessstelle) des Ölabscheiders



Den zu berücksichtigenden Druckdifferenzwert zwischen Eingang (Manometer) und Ausgang (Druckmessstelle) des Ölabscheiders entnehmen Sie bitte der vom Lieferanten zur Verfügung gestellten Dokumentation.

#### **EINMAL PRO MONAT** durchführen:

- Festziehen der elektrischen Kontakte
- Festziehen der Verbindungen
- Kontrolle des Ölstands der Kompressoren
- Kontrolle des Ölabscheiders
- Kontrolle des Ölbehälters
- Kontrolle des Flüssigkeits- und Feuchtigkeitsschauglases

#### **ALLE SECHS MONATE** durchführen:

- Kontrolle der Ansaugfilter

#### **EINMAL IM JAHR** durchführen:

- Überprüfen Sie alle Filter und ersetzen Sie den Filter in der Flüssigkeitsleitung
- Kontrolle der Befestigung der Schrauben und der elektrischen Anschlüsse



Unterbrechen Sie gegebenenfalls die Stromversorgung des Kühlaggregats, bevor Sie mit dem Eingriff fortfahren.



Seien Sie vorsichtig mit heißen Teilen.

Model - Modello - Modèle Modell	<b>ECO2SMALL PLUS</b>	
Manufacturer - Fabbricante - Constructeur Hersteller	<b>Epta Spa</b> - Via Mecenate, 86 - 20138 Milano (MI) ITALIA Tel. 02/55403211 Telefax 02/55401023	

## Wartung der Anlage

### AUSTAUSCH DER FILTER

Ein übermäßiger Druckabfall an den Saugfiltern deutet auf eine Verstopfung der mechanischen Mikrofilterpatrone aufgrund von Restverunreinigungen im System hin.

Die Patronen müssen daher ausgetauscht werden.

Vor dem Austausch der Filter muss der betreffende Abschnitt der Kälteanlage wie folgt abgefangen und entleert werden:

- schließen Sie den Hahn vor dem zu unterbrechenden Kreislauf (Kältemittelzufuhr).
- 5-10 Minuten warten, damit das flüssige Kältemittel im Kreislauf durch die Ansaugung der Verdichter verdampfen kann
- schließen Sie auch den Hahn hinter dem Anwender
- vor der Arbeit am Kreislauf den Ablasshahn langsam öffnen



Wenn der Ablasshahn nicht geöffnet wird, wird der Druck, der durch die Verdampfung kleiner Teile des flüssigen Kältemittels (aufgrund des Temperaturanstiegs der Umgebung) entstehen könnte, durch die Sicherheitsventile, die an den unterbrochenen Kreislauf angeschlossen sind, abgelassen.



Bevor die Hähne wieder geöffnet werden, muss der Kreislauf bei der Kältemittelbefüllung durch Anschluss der Pumpe an das Ablasventil entleert werden.

### AUSWECHSELN DES SICHERHEITSVENTILS

Es wird empfohlen, das Sicherheitsventil auszutauschen, wenn das Sicherheitsventil ausgelöst wurde; während des Entladens können sich Rückstände von der Bearbeitung der Bauteile und der Rohrleitungen auf dem Dichtungselement ansammeln, was dazu führen kann, dass die Dichtung des hinteren Verschlusses defekt ist; daher kann während des normalen Maschinenbetriebs Kältemittel austreten.



Vor dem Auswechseln des Manövrierventils ist zu prüfen, dass die Anlage nicht unter Druck oder bei hoher Temperatur steht.

### AUFFÜLLEN DES ÖLS



Ausschließlich das POE BSE85K-Öl verwenden.

Für die korrekte Management wird auf das folgende Dokument verwiesen:

- SE-TS050\_120bar oil system management



Beim Nachfüllen des Öls ist es aufgrund seiner starken Hygroskopizität erforderlich, die Dauer der Öffnung des Kreislaufs und der Ölbehälter auf das für die Durchführung des Vorgangs unbedingt erforderliche Maß zu beschränken.

Model - Modello - Modèle Modell	<b>ECO2SMALL PLUS</b>	
Manufacturer - Fabbricante - Constructeur Hersteller	<b>Epta Spa</b> - Via Mecenate, 86 - 20138 Milano (MI) ITALIA Tel. 02/55403211 Telefax 02/55401023	

## User manual

EN

### WARTUNGSSICHERHEIT - WARTUNGSVENTILE

Die Wartung von Rohrleitungsabschnitten oder Druckkomponenten muss in sicherer Weise durchgeführt werden.

Wenn ein Wartungsventil vorhanden ist, wird es normalerweise an der Druckentnahmestelle des Eckventils installiert.

Bei dieser Art von Eckventil ist die Druckentnahmestelle bei geöffnetem Eckventil vom übrigen Kreislauf getrennt. Bei geschlossenem Eckventil hingegen ist die Druckentnahmestelle (und damit das Serviceventil) mit dem Medium verbunden.

Die Serviceventile sind in der Nähe des auszuschließenden Kreislaufs installiert und können bei geringerem Kohlendioxidgehalt in dem betreffenden Abschnitt in die interne Umgebung entweichen.

Während des Betriebs muss an den Stellen, an denen Sicherheitsventile installiert sind, das Eckventil geöffnet sein.

Wenn keine Serviceventile vorhanden sind, muss der Techniker ein Sicherheitszubehör oder ein Manometer an einen der beiden für die Ableitung vorgesehenen Druckhähne anschließen, um den Druck zu überwachen und so zu prüfen, ob die Ableitung des Kältemittels korrekt erfolgt ist.

IT

FR

DE

### Regelmäßige Kontrolle der Kälteanlage

Damit die Kälteanlage langfristig einwandfrei funktioniert, werden folgende regelmäßige Kontrollen empfohlen:

- Überprüfung der baulichen Unversehrtheit der Maschine
- Überprüfung der oxidierten Teile (jeglicher Rost muss entfernt werden: prüfen Sie die Ursache und leiten Sie gegebenenfalls Abhilfemaßnahmen ein)
- Überprüfung auf Undichtigkeiten (anormale Ölflecken im Boden, Kondenswasserbildung durch beschädigte Isolierung, undichte Stellen in den Leitungen, z. B. in den Armaturen eines Wasserkondensators, erfordern ein sofortiges Eingreifen eines autorisierten Services)
- Überprüfen Sie die Unversehrtheit der Stromversorgungsleitung (das Kabel, das das Kühlaggregat mit der Hauptversorgungsleitung verbindet, darf keine Risse, Sprünge oder Anomalien aufweisen, die seine Isolierung beeinträchtigen könnten)



Nach der Installation der Kältemaschine darf kein Differential für das Kühlaggregat vor der Stromleitung eingebaut werden.

- Überprüfung des korrekten Anziehens der Schrauben an den Druckhähnen der Verdichter (Kälteanlage im transkritischen Betrieb)
- Überprüfung des Vorhandenseins und der korrekten Befestigung der Manschetten an den Leitungen
- Überprüfen Sie den Zustand der Filter.

Model - Modello - Modèle Modell	<b>ECO2SMALL PLUS</b>	
Manufacturer - Fabbricante - Constructeur Hersteller	<b>Epta Spa</b> - Via Mecenate, 86 - 20138 Milano (MI) ITALIA Tel. 02/55403211 Telefax 02/55401023	

## 8.10 Gefahrensituationen

### Ein unkontrollierter Druckanstieg ist in den HOCHDRUCKKREISLÄUFEN aufgetreten:

- Überprüfen Sie, dass die Regelvorrichtungen nicht defekt sind.
- Überprüfen Sie, dass die Temperatur der Sekundärflüssigkeit im Verflüssiger und im Gaskühler während des Kompressorbetriebs nicht angestiegen ist.
- Überprüfen Sie, dass kein längerer Stillstand des Verdichters vorliegt.
- Prüfen Sie, ob die Sekundärflüssigkeit während des Betriebs der Verdichter nicht unzureichend fließt oder zu heiß ist.
- Schließen Sie das Vorhandensein einer Wärmequelle auf beiden Seiten des HOCHDRUCKKREISLAUFS aus.

### Ein unkontrollierter Druckanstieg ist in NIEDRIGEN DRUCKKREISEN aufgetreten:

- Überprüfen Sie, dass kein längerer Stillstand des Verdichters vorliegt.
- Schließen Sie das Vorhandensein einer Wärmequelle auf beiden Seiten des NIEDRIGDRUCK-Kreislaufs aus.

### Es ist Kältemittel unter Druck ausgetreten:

- Überprüfen Sie, ob die Systemventile vor kurzem betätigt wurden.
- Prüfen Sie, ob die Systemkomponenten vor kurzem demontiert wurden.

### Es wurden Änderungen an den Regelwerten oder Ausschlüsse der elektrischen Regel-, Steuer- und Sicherheitskreise des Systems vorgenommen:

- Kurz zurückliegende Arbeiten an Schalttafeln und Stellgliedern durch befugtes Personal.

### Es ist Kältemittel aus der Anlage ausgetreten und gleichzeitig wurde das Sicherheitsventil des HOCHDRUCKKREISES gesperrt:

- Prüfen Sie, ob die Förderhähne des Verdichters am HOCHDRUCKKREISLAUF und am Verflüssiger/Gaskühler von autorisiertem Personal geschlossen worden sind.

### Es ist Kältemittel aus dem System ausgetreten und die Sicherheitsvorrichtungen sind blockiert:

- Prüfen Sie, ob die Komponenten der elektrischen Schalttafeln vor kurzem von autorisiertem Personal ausgetauscht wurden.

### Die Rohre und Verbindungen des Systems stehen unter Spannung:

- Prüfen Sie, ob sich lange, gerade Abschnitte nicht aufgrund von Wärmeausdehnung gedehnt und zusammengezogen haben.
- Prüfen Sie, ob die von der Kälteanlage ausgehenden Vibrationen aufgrund des Fehlens von Schwingungsdämpfern an der Kälteanlage zu Schwingungen führen.
- Überprüfen Sie, dass sich keine Bestandteile des Systems verlagert haben.

### Ausfall von Systembauteilen:

- Prüfen Sie, ob HOHE oder NIEDRIGE TEMPERATUREN eine Brüchigkeit oder eine Verringerung der Festigkeit der Materialien der Bauteile der Anlage verursacht haben.
- Prüfen Sie das Vorhandensein ungewöhnlicher Vibrationen.
- Überprüfen Sie den korrekten Anzug der Schrauben und Manschetten an den Rohrleitungen, was das Betätigen der Sicherheitsdruckschalter der Nutzer von MITTLEREN TEMPERATUREN ausschließt.

EN

IT

FR

DE

Model - Modello - Modèle Modell	<b>ECO2SMALL PLUS</b>	
Manufacturer - Fabbricante - Constructeur Hersteller	<b>Epta Spa</b> - Via Mecenate, 86 - 20138 Milano (MI) ITALIA Tel. 02/55403211 Telefax 02/55401023	

EN  
IT  
FR  
DE

**Es ist ein gefährlicher Überdruck in der Anlage entstanden:**

- Überprüfen Sie, ob die Sicherheitsvorrichtungen, falls vorhanden, an einer geeigneten Stelle installiert sind.
- Überprüfen Sie, dass die Rohrleitungen nicht durch atmosphärische Einflüsse verstopft werden können und dass der Auslass sich nicht in der Nähe von Personen oder Gegenständen befindet.
- Prüfen Sie, ob der Abfluss der Sicherheitsventile frei ist und sich kein Trockeneis bilden kann, das den Abfluss verstopfen könnte.

**An den Kontaktstellen zwischen Rohren und Befestigungspunkten entstehen Abrasionszonen:**

- Stellen Sie sicher, dass ein Material mit geringer Härte zwischen den Rohren und Stützpunkten angebracht wird.

Wenn die oben genannten Notsituationen nicht auf die oben genannten Gründe zurückzuführen sind, wenden Sie sich an das nächstgelegene autorisierte Servicezentrum.

**8.11 Technischer Wartungsdienst**

Wenn Servicepersonal benötigt wird, wenden Sie sich unverzüglich an den Lieferanten, bei dem die Kälteanlage gekauft wurde. Sollten Sie Ersatzteile benötigen, wenden Sie sich immer an den technischen Kundendienst: Fragen Sie nach und vergewissern Sie sich, dass auch wirklich Originalersatzteile verwendet werden.

**8.12 Demontage und Entsorgung**

Gemäß den in den einzelnen Ländern geltenden Abfallbeseitigungsvorschriften und aus Gründen des Umweltschutzes müssen die Kälteanlage oder Teile davon, die ausrangiert wurden, ordnungsgemäß entsorgt werden. Alle Teile der Kälteanlage gehören nicht zu den festen städtischen Abfällen, mit Ausnahme der Metallteile, die in den meisten europäischen Ländern ohnehin nicht als Sondermüll eingestuft werden.

Die zum Kühlkreislauf gehörigen Bauteile dürfen erst zerlegt und/oder abgetrennt werden, nachdem der Kühlkreislauf entleert wurde und das Kältegas durch qualifiziertes Personal aufgefangen wurde.

Das in den Kompressoren enthaltene Öl muss von qualifiziertem Personal ordnungsgemäß zurückgewonnen werden.

Model - Modello - Modèle Modell	<b>ECO2SMALL PLUS</b>	
Manufacturer - Fabbricante - Constructeur Hersteller	<b>Epta Spa</b> - Via Mecenate, 86 - 20138 Milano (MI) ITALIA Tel. 02/55403211 Telefax 02/55401023	

## 9. ALLGEMEINE ERGÄNZENDE HINWEISE

### Hinweise zur korrekten Installation und Wartung

Gebrauchs- und Wartungsanweisungen finden Sie im Benutzerhandbuch, das an den Standorten erhältlich ist:

[www.costan.com](http://www.costan.com) und [www.bonnetneve.com](http://www.bonnetneve.com).

Die Installationsanleitungen für qualifiziertes Fachpersonal sind in an folgender Stelle verfügbar:

- beim Kundenservice
- Im Lieferumfang einiger Produktkategorien ist die Installationsanleitung in Papierform enthalten

### Professioneller Reparaturservice

Dieses Angebot wird von unseren Servicestellen für Sie bereitgestellt, Sie finden die Informationen unter dem folgenden Link: [www.eptarefrigeration.com](http://www.eptarefrigeration.com).

### Ersatzteile

Ersatzteile und Reparaturhinweise für das Gerät sind mindestens noch 8 Jahre, nachdem die Produktion eingestellt wurde, unter der folgenden Adresse verfügbar: [www.epta-service.com/service](http://www.epta-service.com/service).

Für die erforderlichen Zugangsdaten senden Sie bitte eine E-Mail an: [servicesupport@eptarefrigeration.com](mailto:servicesupport@eptarefrigeration.com).

### Umgebungsbedingungen

Dieses Gerät ist für den Einsatz in einer Umgebung vorgesehen, in der die Temperatur und die Luftfeuchtigkeit innerhalb der in der Bedienungsanleitung angegebenen Bereiche liegen.

### Anweisungen zur Demontage

Die Demontage muss durch qualifizierte Fachkräfte erfolgen.

Die Epta-Gruppe legt seit jeher größten Wert auf den Schutz der Umwelt. Sie stellt daher allen Nutzern des Handbuchs die Anleitungen zur Demontage und Abfallbehandlung zum Herunterladen zur Verfügung.

Das Handbuch zur Demontage ist auf der folgenden Seite verfügbar: [www.eptarefrigeration.com](http://www.eptarefrigeration.com).

### Grenzen der vorgesehenen Anwendung



Diese Kälteanlage ist für den Gebrauch, den Transport und die Lagerung bis zu einer maximalen Höhe von 1000m über dem Meeresspiegel ausgelegt.

#### Lagerung:

- Temperatur zwischen -20°C und 45°C

#### Transport:

- Temperatur zwischen -20°C und 45°C

#### Installation:

- Temperatur zwischen 0°C und 45°C

#### Verwendung:

- Temperatur zwischen 0°C und 45°C

Die Leistung der Kühlzellen kann bei einer anderen als der bestimmungsgemäßen Verwendung nicht gewährleistet werden

Informationen zur korrekten Verwaltung der Betriebsgrenzen der an Bord der Kälteanlage installierten Komponenten finden Sie in der Dokumentation der jeweiligen Lieferanten.

Model - Modello - Modèle Modell	<b>ECO2SMALL PLUS</b>	
Manufacturer - Fabbricante - Constructeur Hersteller	<b>Epta Spa</b> - Via Mecenate, 86 - 20138 Milano (MI) ITALIA Tel. 02/55403211 Telefax 02/55401023	

## 10. REFERENZRICHTLINIEN UND VERORDNUNGEN

EUROPÄISCHE RICHTLINIE	UROPÄISCHE VERORDNUNG	UK-RICHTLINIE	UK-VERORDNUNG
Richtlinie 2014/35/EU zur Harmonisierung der Rechtsvorschriften der Mitgliedstaaten über die Bereitstellung elektrischer Betriebsmittel zur Verwendung innerhalb bestimmter Spannungsgrenzen auf dem Markt	EN 61439-1	Electrical Equipment ( Safety ) Low Voltage Regulations	BS EN IEC 61439-1
Richtlinie 2014/30/EU zur Harmonisierung der Rechtsvorschriften der Mitgliedstaaten über die elektromagnetische Verträglichkeit	EN 61000-6-1	EMC Regulations	BS EN IEC 61000-6-1
Richtlinie 2013/35/EU über Mindestvorschriften zum Schutz von Sicherheit und Gesundheit der Arbeitnehmer vor der Gefährdung durch physikalische Einwirkungen (elektromagnetische Felder)	-	The Control of Electromagnetic Fields	-
Richtlinie 2014/68/EU zur Harmonisierung der Rechtsvorschriften der Mitgliedstaaten über die Bereitstellung von Druckgeräten auf dem Markt	EN 14276-1	Pressure Equipment (Safety)	-
	EN 14276-2		-
Richtlinie 2006/42/EG über Maschinen	EN 60204-1	Supply of Machinery (Safety)	BS EN 60204-1
	EN 378-1		BS EN 378-1
	EN 378-2		BS EN 378-2
	EN 378-3		BS EN 378-3
	EN 378-4 + A1		BS EN 378-4 + A1
	EN ISO 13849-1		BS EN ISO 13849-1
	EN ISO 13849-2		BS EN 12102
	EN ISO 4871		BS EN ISO 4871
	ISO 9614-3		BS EN ISO 9614-3
	EN 614-2		BS EN 614-2 + A1
EN ISO 12100	-		



Model - Modello - Modèle Modell	<b>ECO2SMALL PLUS</b>	
Manufacturer - Fabbricante - Constructeur Hersteller	<b>Epta Spa</b> - Via Mecenate, 86 - 20138 Milano (MI) ITALIA Tel. 02/55403211 Telefax 02/55401023	

EUROPÄISCHE RICHTLINIE	UROPÄISCHE VERORDNUNG	UK-RICHTLINIE	UK-VERORDNUNG
Verordnung (EU) 2024/590 über Stoffe, die zum Abbau der Ozonschicht führen Verordnung (EG) Nr. 1005/2009 über Stoffe, die zum Abbau der Ozonschicht führen	-	The Ozone-Deleting Substances and Fluorinated Gases (Amendment etc)	-
Verordnung (EU) 2024/573 über fluorierte Treibhausgase	-	Fluorinated gas (F gas): guidance for users, producers and traders F-Gas on fluorinated greenhouse gases	-
Verordnung (EU) 2023/66 zur Änderung der Verordnung (EU) 2021/821 des Europäischen Parlaments und des Rates in Bezug auf die Liste der Güter mit doppeltem Verwendungszweck	-	The Trade in Torture etc. Goods (Amendment)	-
-	ISO 14040 – 14043	-	BS EN ISO 14040 + A1

- EN
- IT
- FR
- DE



Die Richtlinien/Verordnungen beziehen sich auf das letzte Erscheinungsjahr

Model - Modello - Modèle Modell	<b>ECO2SMALL PLUS</b>	
Manufacturer - Fabbricante - Constructeur Hersteller	<b>Epta Spa</b> - Via Mecenate, 86 - 20138 Milano (MI) ITALIA Tel. 02/55403211 Telefax 02/55401023	

User manual

- EN
- IT
- FR
- DE

