

# REMOTE SERVE OVER

## DISASSEMBLY MANUAL

Modello - Modèle - Model Modell - Modelo - Modelo	<b>REMOTE SERVE OVER</b>	<b>COSTAN</b> <small>epta refrigeration</small>
Fabbricante - Constructeur - Manufacturer Hersteller - Fabricante - Fabricante	<b>Epta Spa</b> - Via Mecenate, 86 - 20138 Milano (MI) ITALIA Tel. 02/55403211 Telefax 02/55401023	<b>2/3</b>

## Dissassembly manual

### CONTENT

IT

<b>1. Introduction</b>	<b>3</b>
1.1 Scope	3
1.2 General safety information	3
1.3 Reasons for a correct disassembly	3
<b>2. Procedure</b>	<b>4</b>

FR

EN

DE

ES

PT

### SYMBOLS USED



Prohibition symbol: it prohibits the carrying out of specific operations.



Attention symbol: accident prevention rules for the operator.



Warning symbol: there is the possibility of damaging the cabinet and/or its components.



Note symbol: it provides useful information.

### Personal protection equipment

	Safety shoes
	Protective gloves
	Safety glasses
	Safety helmet
	Safety vests

Modello - Modèle - Model Modell - Modelo - Modelo	<b>REMOTE SERVE OVER</b>	<b>COSTAN</b> <small>eptarefrigeration</small>
Fabbricante - Constructeur - Manufacturer Hersteller - Fabricante - Fabricante	<b>Epta Spa</b> - Via Mecenate, 86 - 20138 Milano (MI) ITALIA Tel. 02/55403211 Telefax 02/55401023	<b>3/3</b>


## 1. INTRODUCTION


### 1.1 Scope


The document "Disassembly manual" indicates how to disassemble EPTA's products. In this document are indicated the steps to follow to disassemble horizontal cabinets.


It also contains information how to protect the safety of the persons in charge of disassembling. Instructions for use are also available on: [www.costan.com](http://www.costan.com).

### 1.2 General safety information

 Do never interrupt the cooling chain of displayed goods.

 Before starting the disassembly procedure, disconnect the equipment from the electrical power supply and secure against re-connecting by unauthorized persons.

 Ensure that the working area is sufficiently illuminated during disassembly activity and use an additional lighting source if necessary.

 Beware of touching any part of the cabinet without DPI.

### 1.3 Reasons for a correct disassembly

In order to guarantee the correct disposal of the materials that make up the cabinet, it is important to proceed with a correct disassembly.

Correct disassembly thus allows us to increase the percentage of recyclability.

Note: the materials must be disposed of in accordance with the law or disposal regulation in force.

IT

FR

EN

DE

ES

PT

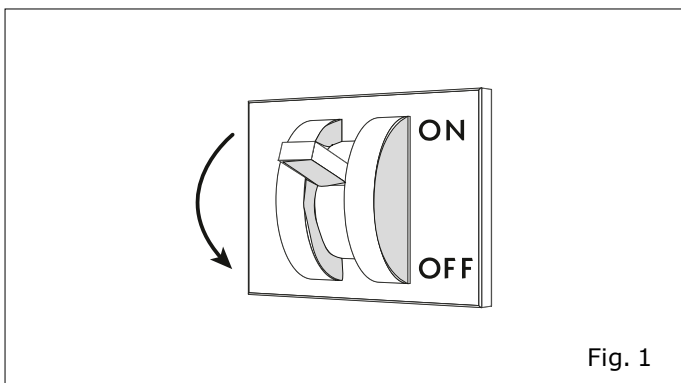
Modello - Modèle - Model Modell - Modelo - Modelo	<b>REMOTE SERVE OVER</b>	<b>COSTAN</b> eptarefrigeration
Fabbricante - Constructeur - Manufacturer Hersteller - Fabricante - Fabricante	<b>Epta Spa</b> - Via Mecenate, 86 - 20138 Milano (MI) ITALIA Tel. 02/55403211 Telefax 02/55401023	<b>4/9</b>

Dissassembly manual

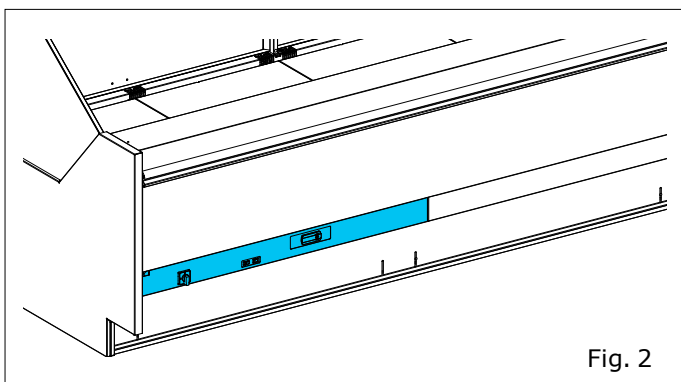
IT  
FR  
EN  
DE  
ES  
PT

## 2. PROCEDURE

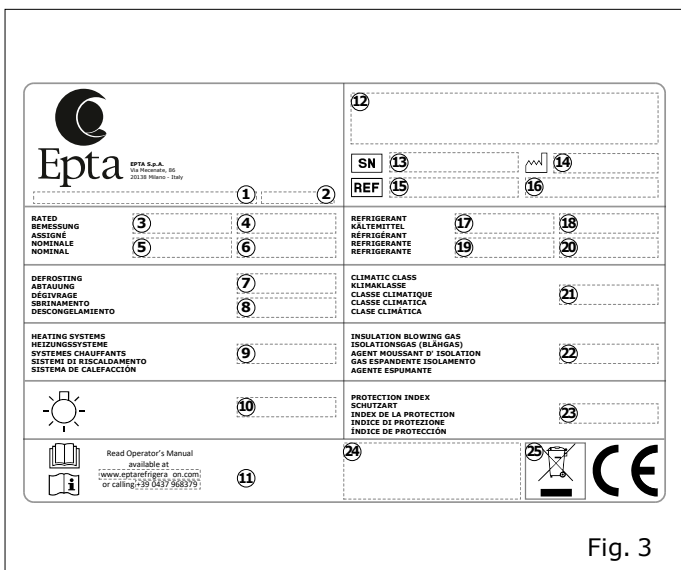
1) Secure the cabinet, disconnecting the power.



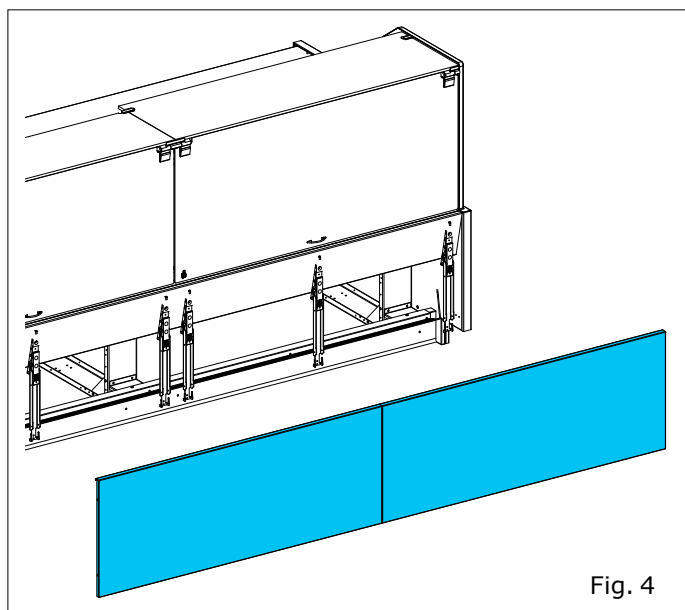
2) Position of the electrical panels.



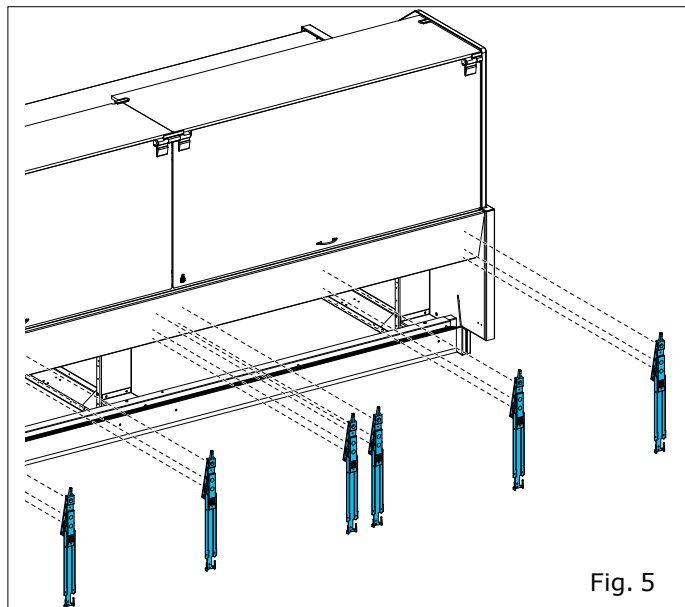
3) Check the serial plate if the cabinet is plug-in or remote.



4) Unscrew the bottom panels.

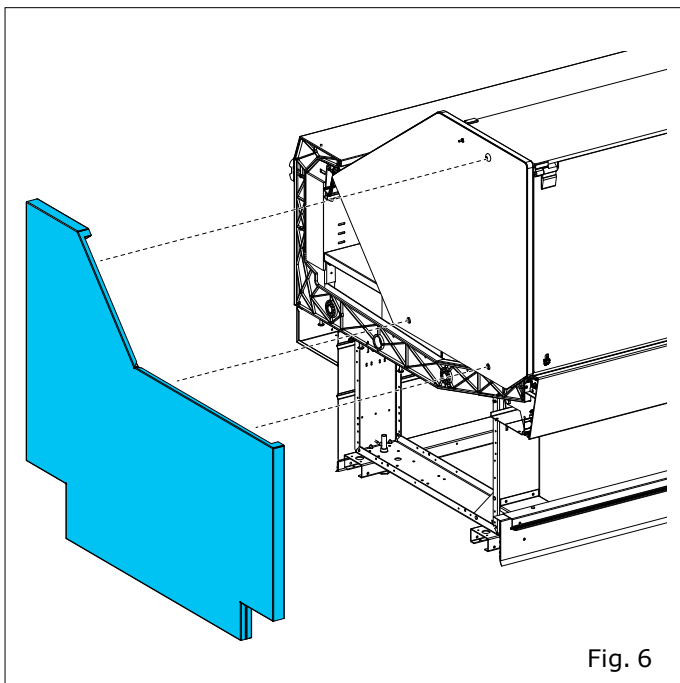


5) Remove the front panel supports by unscrewing the screws.

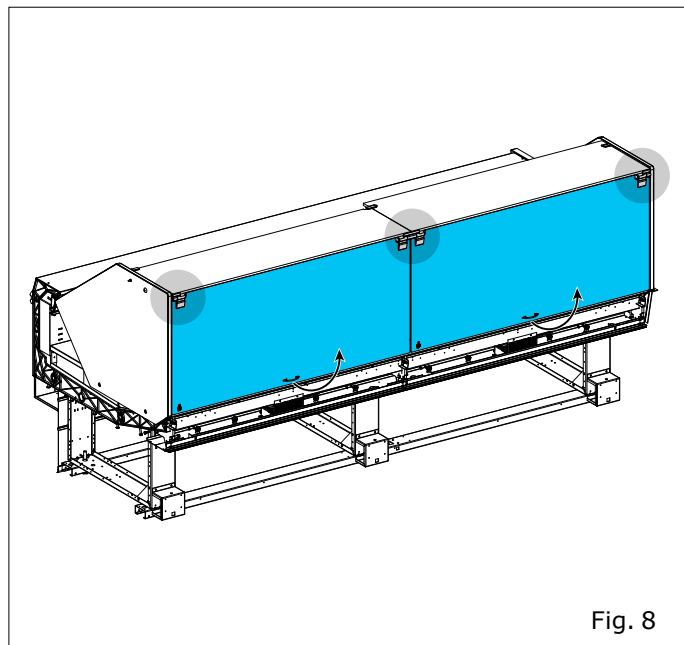


Modello - Modèle - Model Modell - Modelo - Modelo	<h1>REMOTE SERVE OVER</h1>	
Fabbricante - Constructeur - Manufacturer Hersteller - Fabricante - Fabricante	<b>Epta Spa</b> - Via Mecenate, 86 - 20138 Milano (MI) ITALIA Tel. 02/55403211 Telefax 02/55401023	<b>5/9</b>

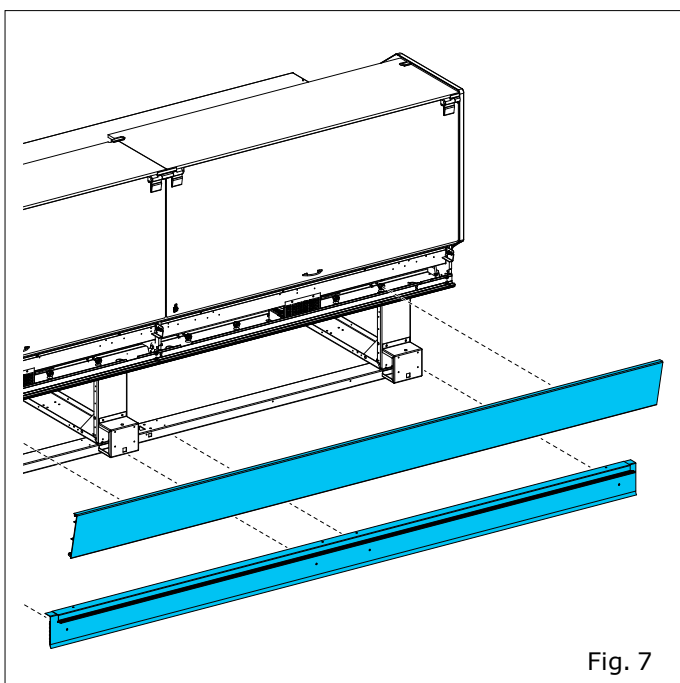
6) Remove the endwall.



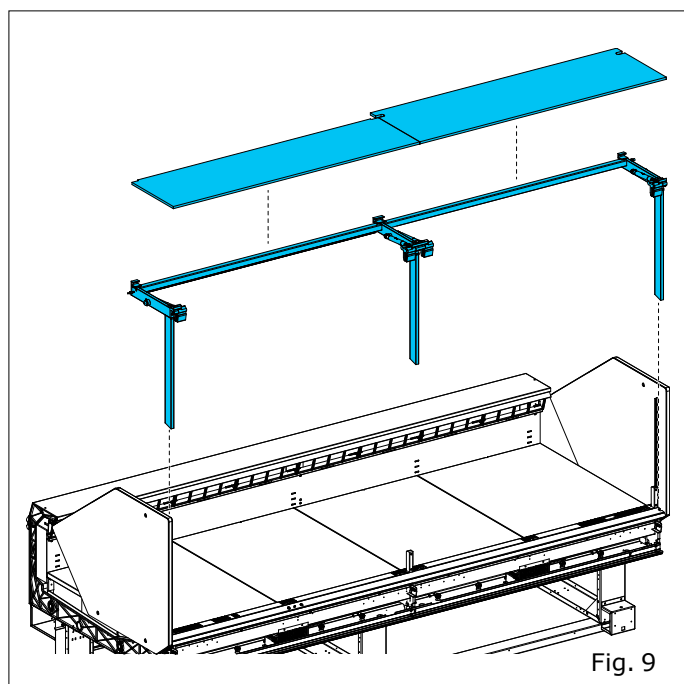
8) Open the front windows. Undo the screws holding the glasses and remove them.



7) Remove the front panels.



9) Remove the upper glasses. Undo the screws and remove the uprights.



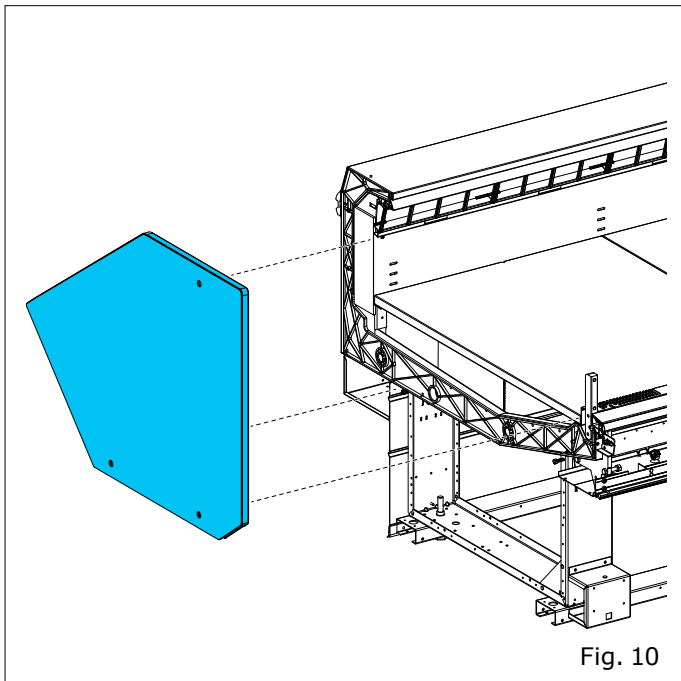
- IT
- FR
- EN**
- DE
- ES
- PT

Modello - Modèle - Model Modell - Modelo - Modelo	<h1>REMOTE SERVE OVER</h1>	
Fabbricante - Constructeur - Manufacturer Hersteller - Fabricante - Fabricante	<b>Epta Spa</b> - Via Mecenate, 86 - 20138 Milano (MI) ITALIA Tel. 02/55403211 Telefax 02/55401023	<b>6/9</b>

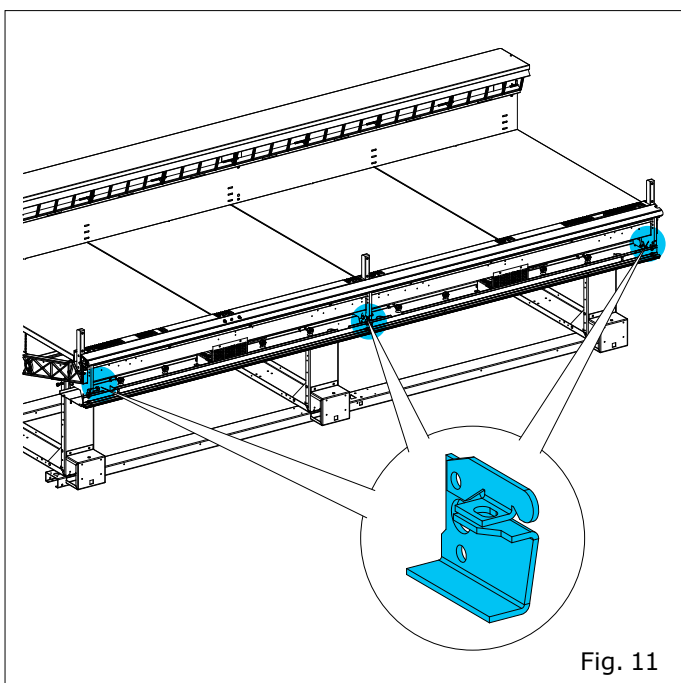
Dissassembly manual

- IT
- FR
- EN
- DE
- ES
- PT

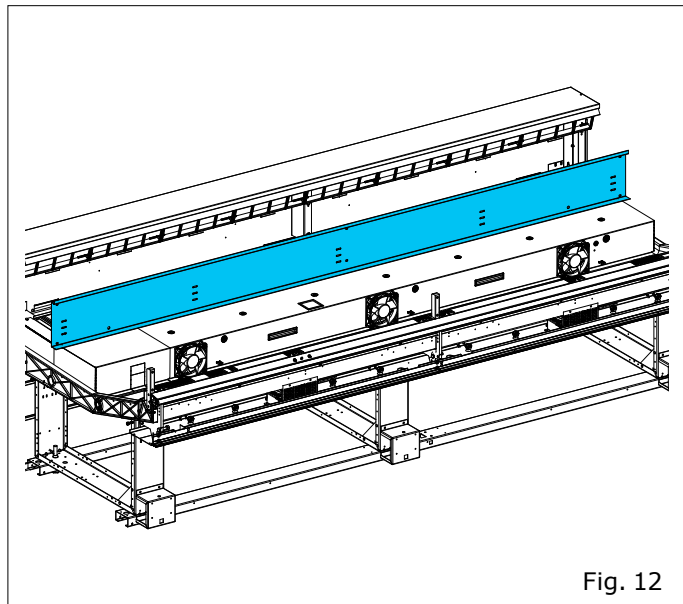
10) Remove the side glasses.



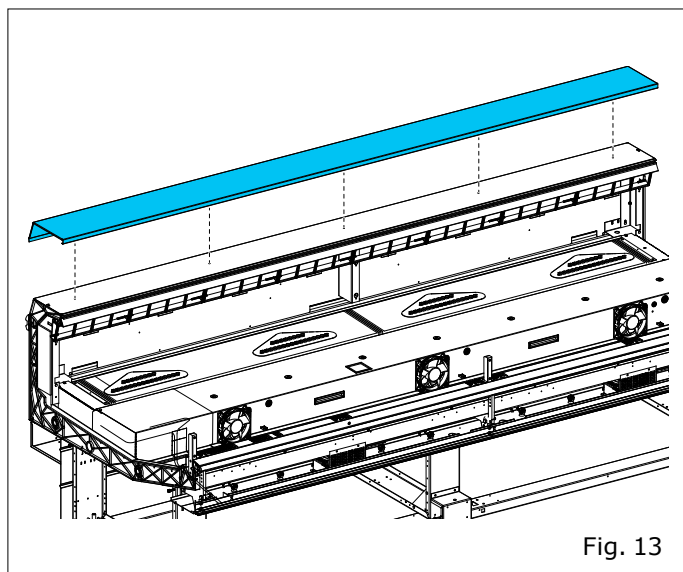
11) Remove the brackets that hold the glasses.



12) Remove the inner panel.



13) Remove the top panel.



Modello - Modèle - Model Modell - Modelo - Modelo	<h1>REMOTE SERVE OVER</h1>	
Fabbricante - Constructeur - Manufacturer Hersteller - Fabricante - Fabricante	<b>Epta Spa</b> - Via Mecenate, 86 - 20138 Milano (MI) ITALIA Tel. 02/55403211 Telefax 02/55401023	<b>7/9</b>

14) Remove the lights and light holder. Remove the honeycomb grid.

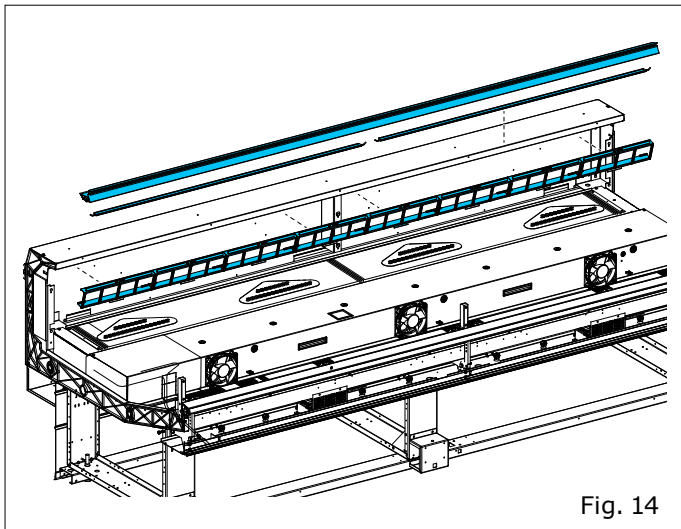


Fig. 14

16) Remove the evaporator.

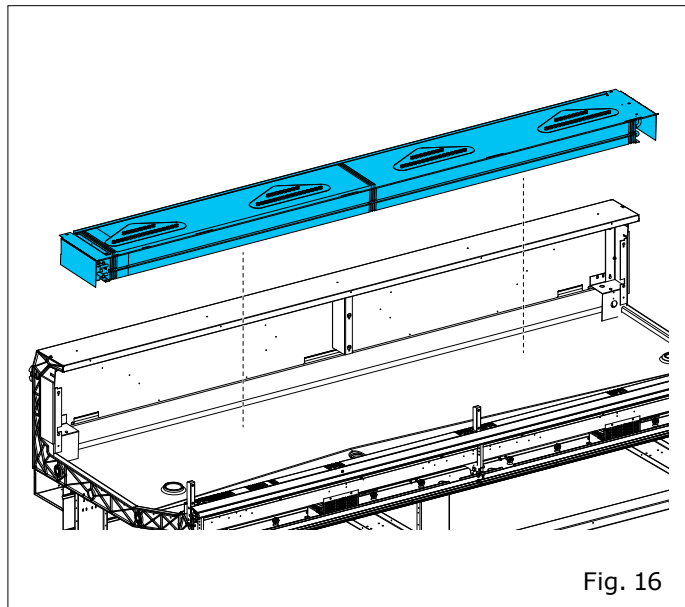


Fig. 16

15) Remove the fan holder.

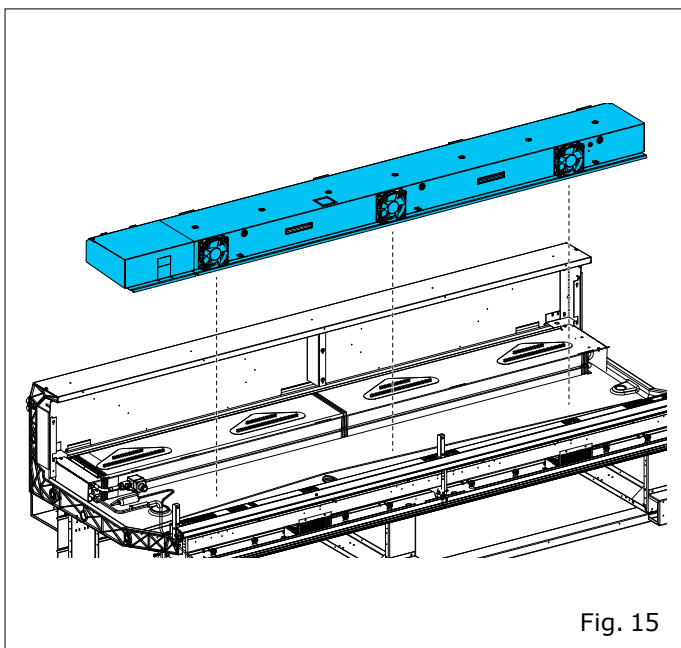


Fig. 15

17) Remove the front air intake. Remove the evaporator supports.

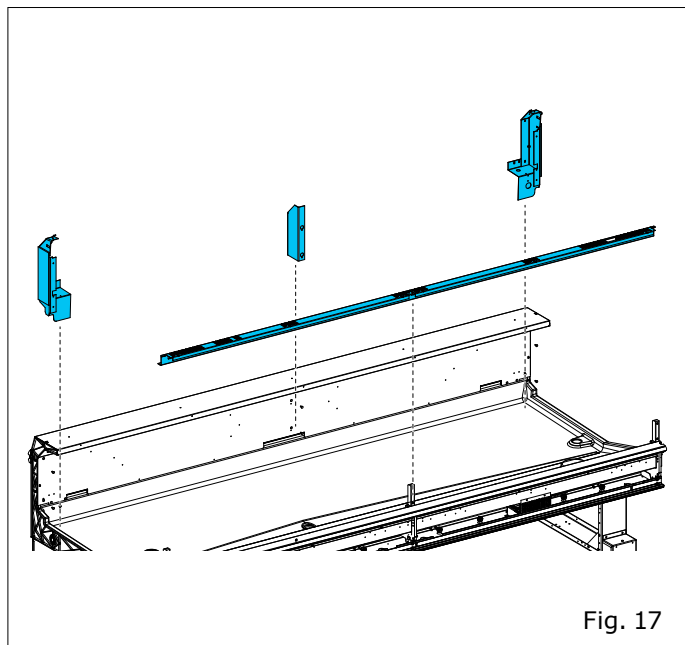


Fig. 17

IT

FR

EN

DE

ES

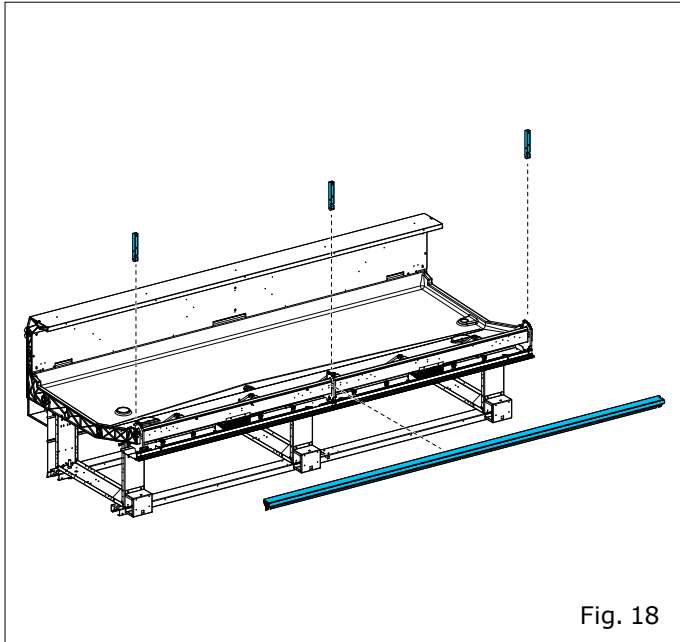
PT

Modello - Modèle - Model Modell - Modelo - Modelo	<h1>REMOTE SERVE OVER</h1>	
Fabbricante - Constructeur - Manufacturer Hersteller - Fabricante - Fabricante	<b>Epta Spa</b> - Via Mecenate, 86 - 20138 Milano (MI) ITALIA Tel. 02/55403211 Telefax 02/55401023	<b>8/9</b>

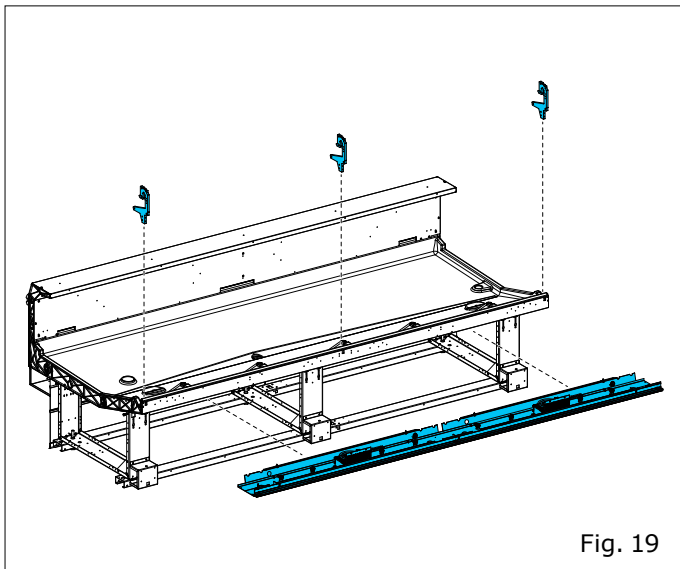
Dissassembly manual

IT  
FR  
EN  
DE  
ES  
PT

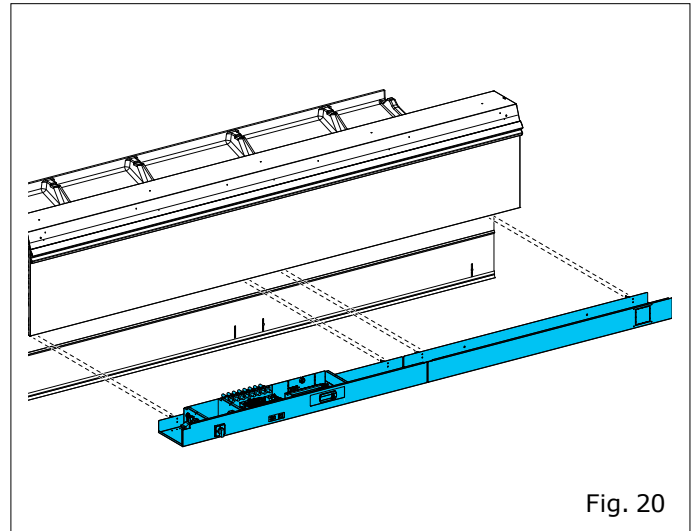
18) Remove the front bracket. Remove the front pillars.



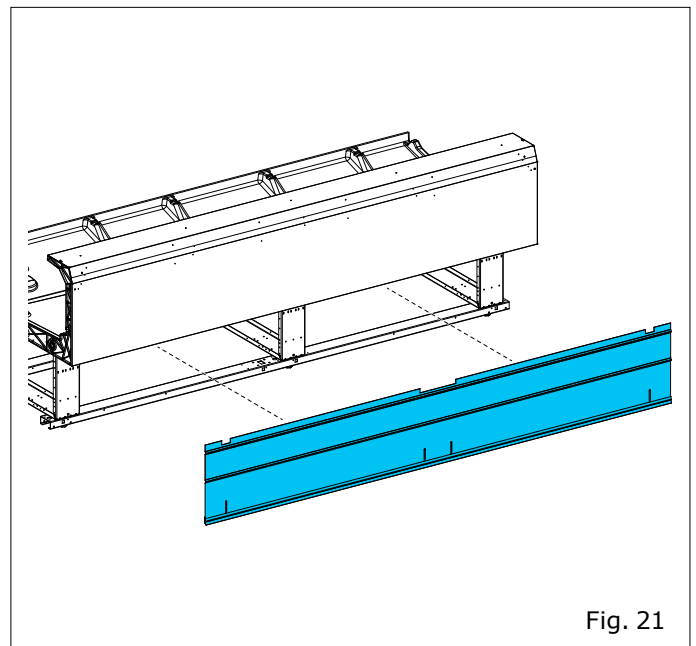
19) Remove the glass brackets. Remove the front panel with the fans.



20) Remove the electrical panels from the rear.



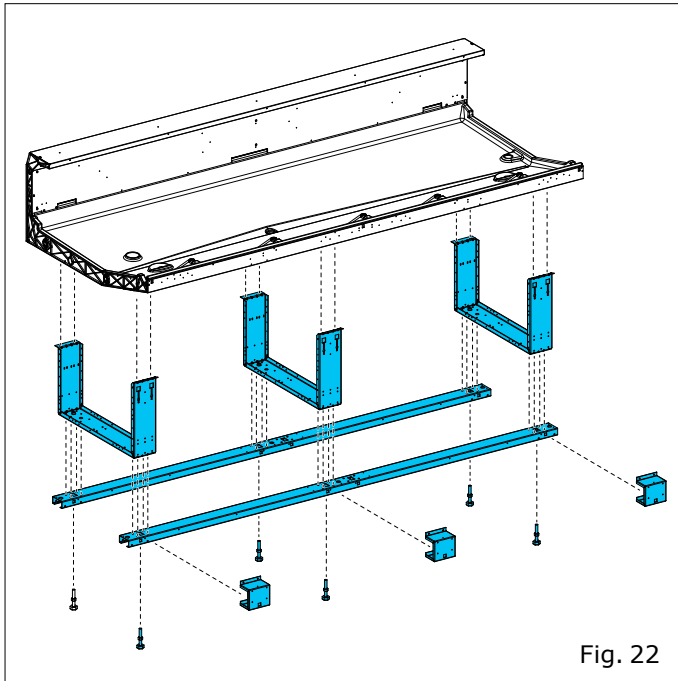
21) Remove the back panel.





Modello - Modèle - Model Modell - Modelo - Modelo	<h1>REMOTE SERVE OVER</h1>	
Fabbricante - Constructeur - Manufacturer Hersteller - Fabricante - Fabricante	<b>Epta Spa</b> - Via Mecenate, 86 - 20138 Milano (MI) ITALIA Tel. 02/55403211 Telefax 02/55401023	<b>9/9</b>

22) Separate the base from the basin.



- IT
- FR
- EN**
- DE
- ES
- PT

**COSTAN**   
epta refrigeration  
[www.costan.com](http://www.costan.com)

---

  
**Epta**  
Advanced Solutions  
for your Store

  
Epta S.p.A. participates in the ECC programme for:  
Refrigerated display cabinets (RDC). Check ongoing validity  
of certificate online: [www.eurovent-certification.com](http://www.eurovent-certification.com)

  
EN ISO 9001  
EN ISO 14001  
EN ISO 45001  
DIN EN 15252  
DIN EN 15253



---

[www.eptarefrigeration.com](http://www.eptarefrigeration.com)